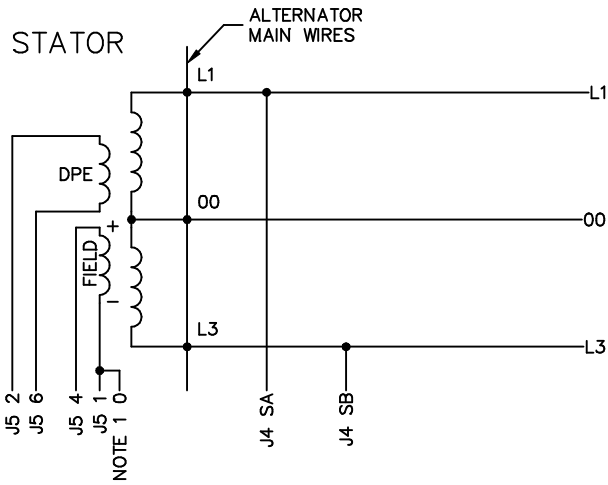
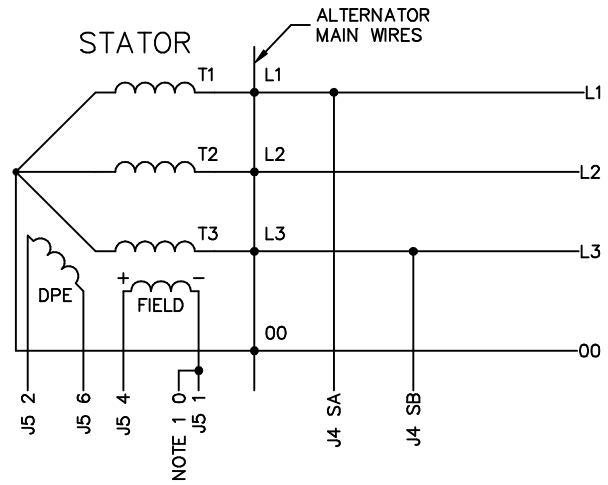


LEGEND

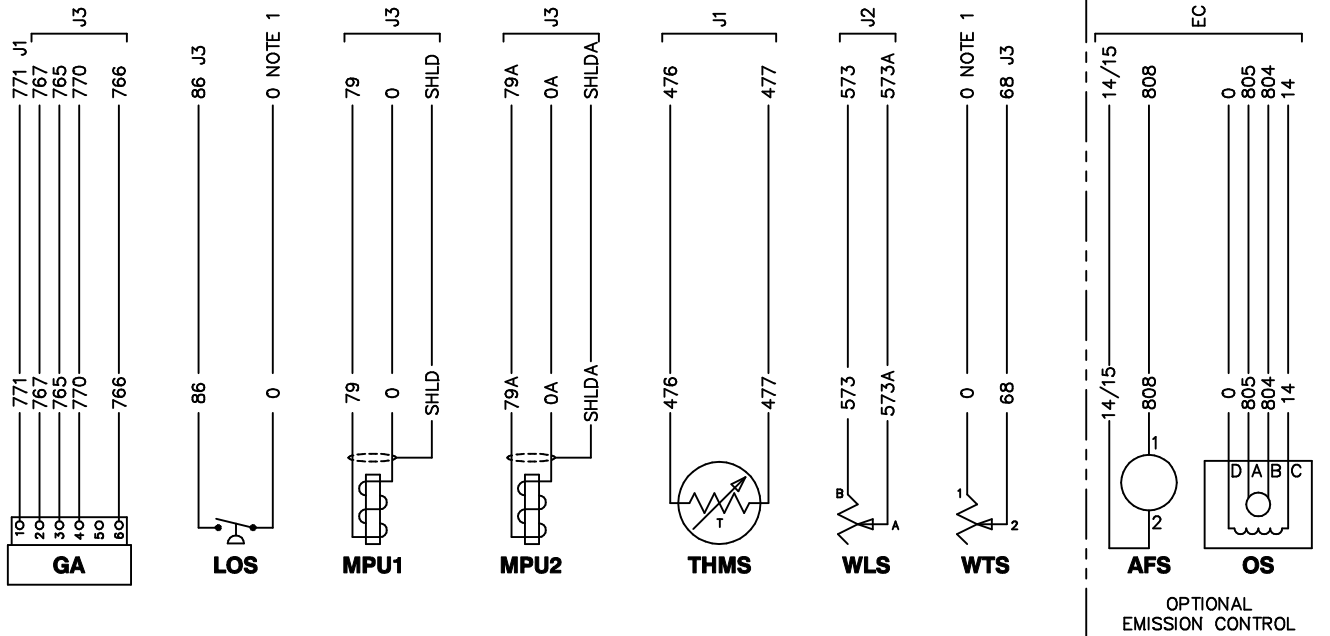
AFS - AIR/FUEL SOLENOID	FS_ - FUEL SOLENOID	R - RESISTOR
ALT - DC CHARGE ALTERNATOR	GA - GOVERNOR ACTUATOR	SC - STARTER CONTACTOR
BAT - BATTERY	J_ - ENGINE CONTROL MODULE CONNECTOR	SM - STARTER MOTOR
CYL_ - CYLINDER IGNITION COIL	LFP - LOW FUEL PRESSURE SWITCH	SP_ - SPARK PLUG
DB_ - DIODE BRIDGE	LOS - LOW OIL PRESSURE SWITCH	THMS - THERMISTOR (BATTERY AMBIENT TEMP.)
DPE - EXCITER	MLCB - MAIN LINE CIRCUIT BREAKER	WLS - COOLANT LEVEL SENDER
EC - EMISSIONS CONNECTOR	MPU_ - MAGNETIC PICKUP	WTS - COOLANT TEMPERATURE SENDER
F1 - FUSE INLINE	OS - OXYGEN SENDER	

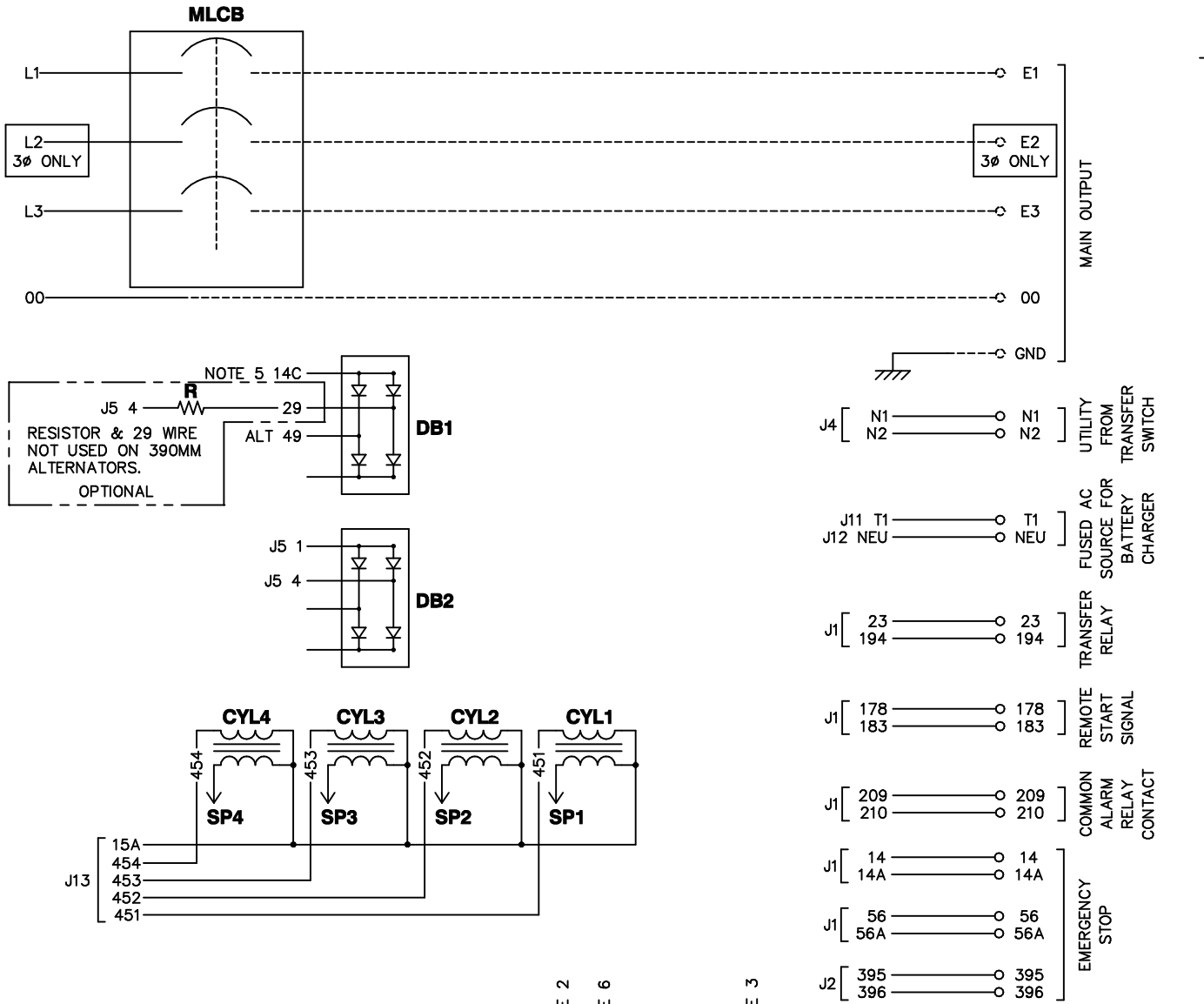


ALTERNATOR CONNECTIONS FOR 1 ϕ UNITS

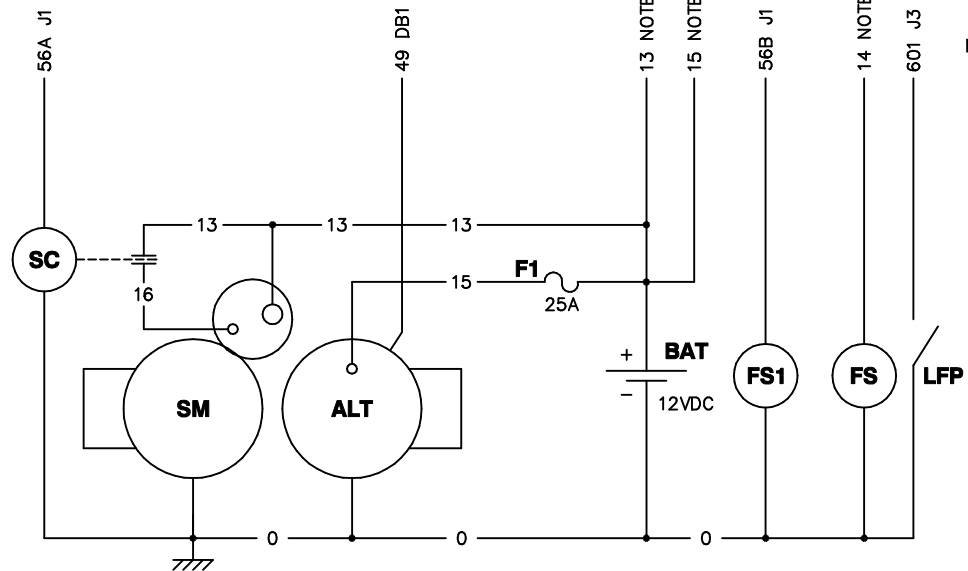


ALTERNATOR CONNECTIONS FOR 3 ϕ UNITS





CUSTOMER CONNECTIONS



NOTE:
FOR FIELD WIRING TO CUSTOMER CONNECTIONS (TERMINAL BLOCKS) MAXIMUM WIRE SIZE: #12 AWG

MAIN CONTROLLER CONNECTIONS

J1

PIN	WIRE	TO	FUNCTION
1	15	F1	NOTE 6
2	15	F1	NOTE 6
3	56/56A	ES1	STARTER OUTPUT
4	0	GND	NOTE 1
5	183	CUST CON	REMOTE START
6	194	CUST CON	TRANSFER RELAY COIL +
7	23	CUST CON	TRANSFER RELAY COIL CONTROL
8	209/210	CAR	COMMON ALARM RELAY
9	14/14A	ES1	NOTE 3/NOTE 4
10	771	GA-1	THROTTLE DRIVE LO
11	476	THMS	THERMISTOR (BATTERY CHARGER)
12	477	THMS	THERMISTOR (BATTERY CHARGER)
14	178	CUST CON	REMOTE START
15	209/210	CAR	COMMON ALARM RELAY
16	56B	FS1	START CONTACTOR CONTROL

J2

PIN	WIRE	TO	FUNCTION
1	808	EC-4	AIR/FUEL RATIO SOLENOID DRIVER
4	395/396	ES1	EMERGENCY STOP
8	395/396	ES1	EMERGENCY STOP
9	573	WLS-B	COOLANT LEVEL SIGNAL
10	573A	WLS-A	COOLANT LEVEL SIGNAL RETURN

J3

PIN	WIRE	TO	FUNCTION
1	SHLD	MPU1-1	FLYWHEEL SENSOR DRAIN
2	79A	MPU2-3	CAM SENSOR +
3	0A	MPU2-2	CAM SENSOR -
4	0	GND	NOTE 1
5	601	LFP	LOW FUEL PRESSURE
6	68	WTS-2	COOLANT TEMPERATURE SIGNAL
7	765	GA-3	THROTTLE POSITION FEEDBACK SOURCE
8	766	GA-6	THROTTLE POSITION FEEDBACK SIGNAL
9	770	GA-4	THROTTLE DRIVE HI
10	79	MPU1-3	FLYWHEEL SENSOR +
11	0	MPU1-2	FLYWHEEL SENSOR -
12	SHLDA	MPU2-1	CAM SENSOR DRAIN
15	86	LOS-NC	LOW OIL PRESSURE SIGNAL
16	804	EC-6	OXYGEN SENSOR +
17	805	EC-5	OXYGEN SENSOR RETURN
18	767	GA-2	THROTTLE POSITION FEEDBACK RETURN

J4

PIN	WIRE	TO	FUNCTION
1	SA	MLCB	OUTPUT VOLTAGE SENSING A
3	N1	CUST CON	UTILITY VOLTAGE SENSING 1
4	SB	MLCB	OUTPUT VOLTAGE SENSING B
6	N2	CUST CON	UTILITY VOLTAGE SENSING 2

J5

PIN	WIRE	TO	FUNCTION
1	2	DPE	EXCITER OUTPUT
2	1	FIELD	FIELD (BRUSH) -
3	6	DPE	EXCITER RETURN
4	4	FIELD	FIELD (BRUSH) +

J13

PIN	WIRE	TO	FUNCTION
1	15A	CYL1-CYL4	NOTE 7
3	451	CYL1	IGNITION COIL DRIVE 1
4	452	CYL2	IGNITION COIL DRIVE 2
5	453	CYL3	IGNITION COIL DRIVE 3
6	454	CYL4	IGNITION COIL DRIVE 4

NOTES:

- 1) WIRE #0 IS CHASSIS GROUND (BATTERY-) UNLESS NOTED OTHERWISE.
- 2) WIRE #13 IS UNFUSED +12VDC (BATTERY+).
- 3) WIRE #14 IS FUSED +12VDC WHEN GENERATOR IS CRANKING OR RUNNING.
- 4) WIRE #14A IS LOW CURRENT FUSED +12VDC WHEN GENERATOR IS CRANKING OR RUNNING AND E-STOP IS NOT ACTIVATED.
- 5) WIRE #14C IS HIGH CURRENT FUSED +12VDC WHEN GENERATOR IS CRANKING OR RUNNING AND E-STOP IS NOT ACTIVATED (FUSED WIRE #15 & SWITCHED WIRE #14A).
- 6) WIRE #15 IS FUSED +12VDC FOR GENERAL USE.
- 7) WIRE #15A IS FUSED +12VDC FOR THE IGNITION COILS.

EC CONNECTOR

PIN	WIRE	TO	FUNCTION
1	0	GND	NOTE 1
2	14A	J1-9	NOTE 4
3	14A	J1-9	NOTE 4
4	808	J2-1	AIR/FUEL RATIO SOLENOID DRIVER
5	805	J3-17	OXYGEN SENSOR RETURN
6	804	J3-16	OXYGEN SENSOR +

PAGE LEFT INTENTIONALLY BLANK