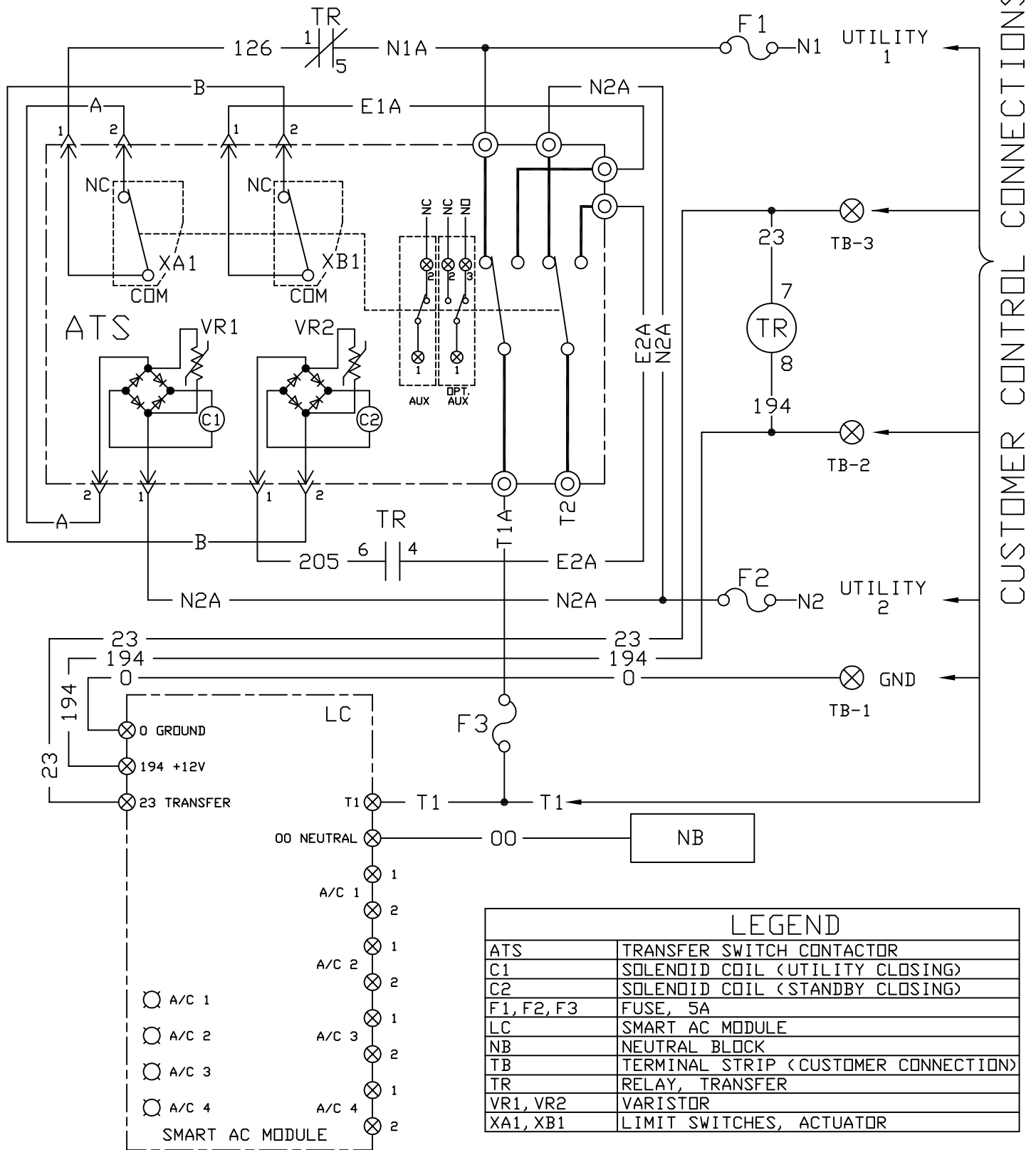
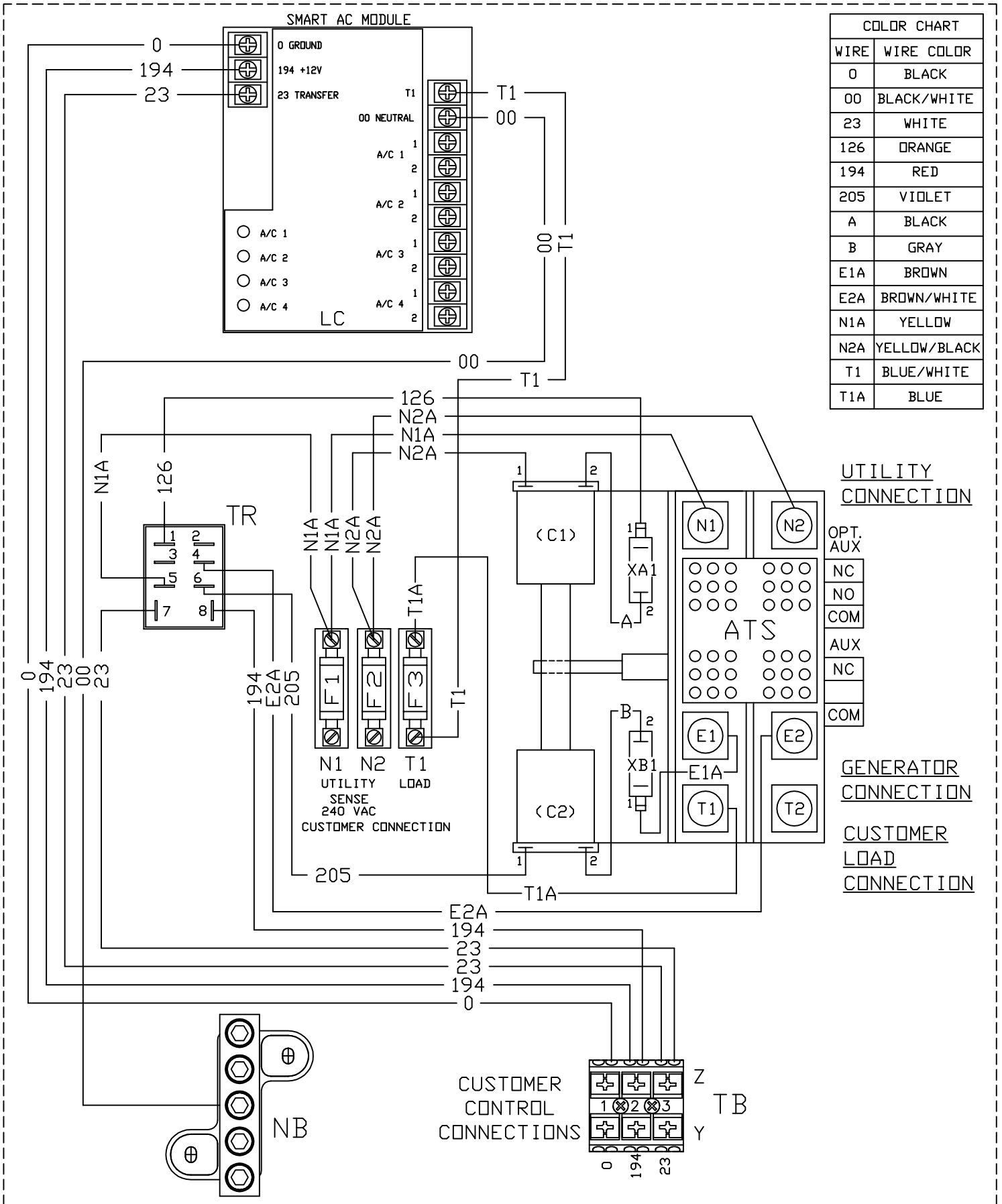


NOTE:  
ALL CONTACTS SHOWN WITH  
TRANSFER SWITCH IN UTILITY  
POSITION.



# GROUP G



| COLOR CHART |              |
|-------------|--------------|
| WIRE        | WIRE COLOR   |
| 0           | BLACK        |
| 00          | BLACK/WHITE  |
| 23          | WHITE        |
| 126         | ORANGE       |
| 194         | RED          |
| 205         | VIOLET       |
| A           | BLACK        |
| B           | GRAY         |
| E1A         | BROWN        |
| E2A         | BROWN/WHITE  |
| N1A         | YELLOW       |
| N2A         | YELLOW/BLACK |
| T1          | BLUE/WHITE   |
| T1A         | BLUE         |

REVISION: "A"  
DATE: 03/30/15

WIRING - DIAGRAM  
XFER SW. W/ SMART AC MOD.  
DRAWING #: 0L3241