

8 7 6 5 4 3 2 1

SN	I/I	REV	D	DESCRIPTION	QTY	DESCRIPTION
1	0L2911			XFRSW HSB 200A 2P 250V	1	
2	074908			SCREW HHTT M5-0.8 X 10 BP	5	
3	0E3628			CB 0200A 2P 240V S QM2 LL	1	
4	0E3664			BASE, ON CIRCUIT BREAKER	1	
5	036918			SCREW PPHM #8-32 X 1/2	2	
6	0G9299			WIRE 3/0 NI, N2	2	
7	0E3375			LUG SLDLSS 250-#6 AL/CU	6	
8	0F1252			SCREW BHSC 1/4-20 X 3/8	6	
9	6022097			WASHER LOCK M6-1/4	6	
10	0E6033			90 DEGREE DN SPADE CONNECTOR	4	
11	0E6034			STRAIGHT SPADE CONNECTOR	1	
12	0J8202			LUG SLDLSS 2/0-#14X10-32X.125	1	
13	026850			WASHER LOCK EXT 1/4 STL	2	
14	0G8411			NUT HEX FL WHIZ 1/4-20	6	
15	0K1914			WIRE NEUTRAL CONNECTION SIE	1	
16	0K0108A			ASSY-NEUT BLK 200A W/TAP	1	
17	090388			SCREW HHTT M6-1.0 X 12 ZINC	2	
18	0K01170AL0R			ENCLOSURE 200A SE XFRSW RAW	1	
19	0K01180AL0R			COVER, 200A SE XFRSW RAW	1	
20	0K0119			SUBPLATE, 200A SE XFER SW	1	
21	0G93000AL0R			CB RISER BRACKET 200A GENERAC RAW	1	
22	0G97730AL0R			COVER INSIDE 200A SE SIE RAW	1	
23	022473			WASHER FLAT 1/4-M6 ZINC	4	
24	085889			NUT HEX 1/4-20 SS	1	
25	0U2572			FUSEBLOCK 30A 600V 3POS W/SO	1	
26	073590A			FUSE 5A X BUSS	3	
27	0A1495			SCREW HHTT M4-0.7 X 10 BP	7	
28	0K0103			RELAY PNL 12VDC DPDT 10A@240VA	1	
29	0F2659			SCREW HHTT M3-0.5 X 6 BP	2	
30	0D7393T			TERM BLOCK 3P UL 12-20AWG	1	
31	0L3068			SCREW THTT M3-0.5 X 25 ZP	2	
32	0D3587			DECAL, FUSE REPLACEMENT	1	
33	0E3484			DECAL WARN MANUAL OPER HANDLE	1	
34	0G3259			DECAL TERMINAL SHOCK HZD B1	1	
35	0G3274			DECAL LIVE CIRCUIT ENG/FRN/SPN	1	
36	026902			SCREW HHTT #8-32 X 1/4 CZ	1	
37	0H1765A			DECAL UTILITY SOURCE CONNECTION	1	
38	0H1765B			DECAL GENERATOR/CUSTOMER CONN	1	
39	0H1765C			DECAL UTILITY DISCONNECT	1	
40	0H6389			DECAL UTILITY LOAD SENSE 240V	1	
41	0H7917			DECAL CUSTOMER CONN RTS	1	
42	0H7190			BRACKET LOAD SHED 200A RTS	1	
43	0K1018			DECAL, NEUTRAL CONNECTION	1	
44	0K1272			DECAL TRANSFER SW SIEMENS	1	
45	0K1736C			DECAL, XFER SW SE 200A 120/240	1	
46	0K1738			DECAL TEST SEQUENCE 100-200A SE	1	
47	0E6155			PIN ARM EXTENDER	1	
48	0E6193			BRACKET, ARM EXTENDER	1	
49	0D6162			RIVET POP .156 X .362 AL	2	
50	0H7270			CHANNEL SNAPTRACK 76.2 X 101.2	1	
51	0H7274			DECAL NEC COMPLIANCE	1	
52	0L3123			ASSY SMART AC MOD	1	
53	0L6699			NUT TRIC 1/4-20 ALUM	1	
54	064761			TIE WRAP UL 5.6 X .10 NATL	4	
55	0L3247			HARNES 200A SE SACM	1	
56	0L6700			SCREW THUMB 1/4-20 X 1/2 KNUURL	1	

--SUPPLIED WITH HARNESS ITEM #55

PART NUMBER	DESCRIPTION
0L3218	ASSEMBLY 200A SERVICE ENTR SIEM
0L3218A	EXPLODED VIEW DRAWING

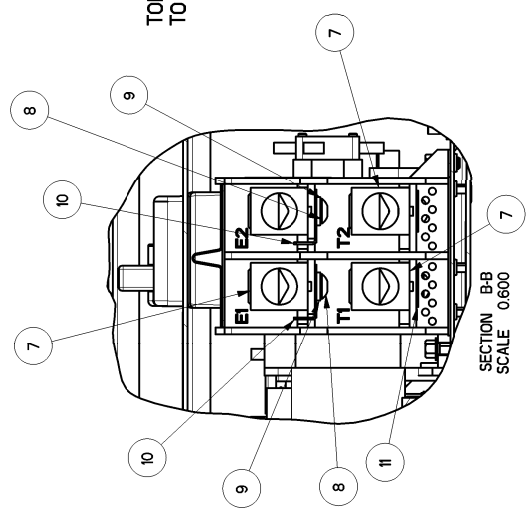
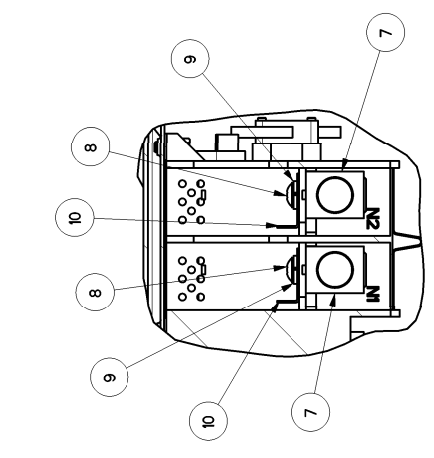
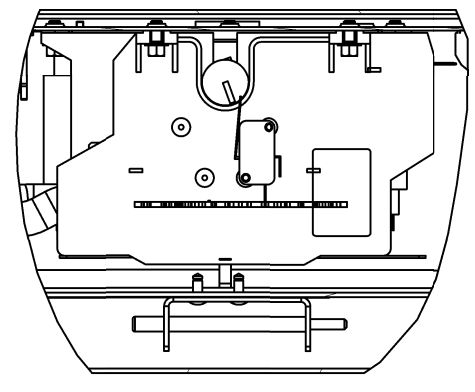
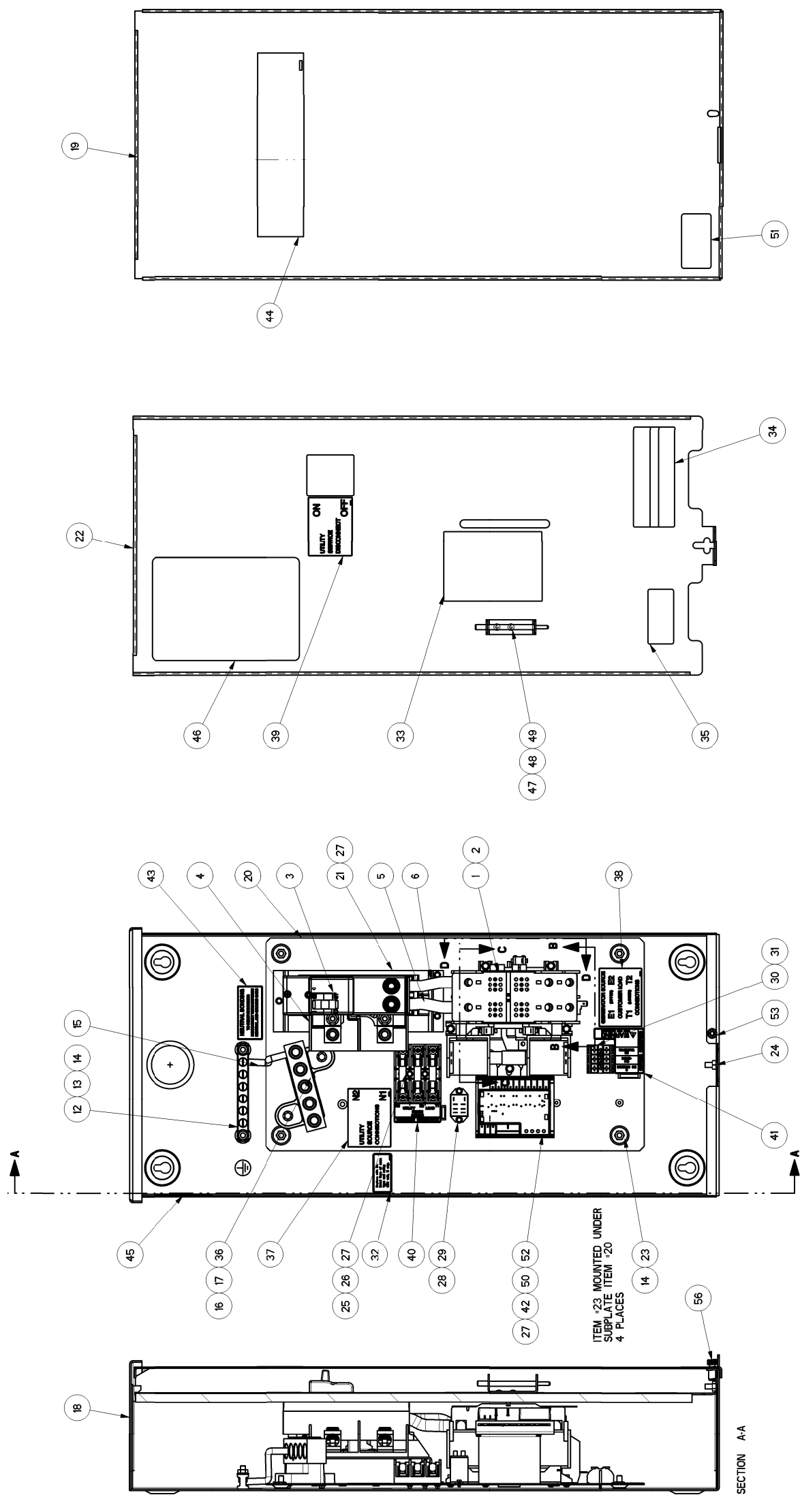
GENERAL TOLERANCES UNLESS NOTED:  
 ALL XX ±.04 MM  
 XXX ±.08 MM  
 ALL ANG ±.5°  
 INTERPRET DIM AND TOL PER ASME Y14.5M-1994

THIRD ANGLE PROJECTION

TITLE  
**ASSEMBLY 200A SERVICE ENTRANCE SIEMENS CB**

ISSUE DATE: \_\_\_\_\_  
 SIZE: \_\_\_\_\_ DWG NO: \_\_\_\_\_  
 D N/A  
 SCALE: 0.300 WT-NO: 22428741.55B/SHEET 1 of 1

REFERENCE DRAWINGS  
 0L3242 SCHEMATIC/WIRING DIAGRAMS  
 0K1846 CARTON 30.5 X 14.2 X 7.8  
 0H7275 TEST PROC HSB XFRSW  
 0K0121 KIT, ENCL 200A SE AL SIEMENS



TORQUE ITEM #9  
TO 72 IN/LBS

GENERAL ASSEMBLY DRAWING

DRAWING CREATED FROM PRO/ENGINEER 3D FILE. NO MODIFICATION TO BE APPLIED TO SOLID MODEL ONLY.