

REV	DATE	BY	CHKD	DESCRIPTION
1	01/29/11			1 XFRSW HSB 200A 2P 250V
2	07/49/08			5 SCREW HHTT M5-0.8 X 10 BP
3	0K0971			1 CB 150A 2POLE 240V 225AF
4	0K0973			2 SCREW RHM #8-32 X 2-1/2
5	0H6306			2 LUG SLDLSS 350 MCM-6 AL/CU
6	0G4413			2 SPACER 200 AMP TRANSFER SWITCH
7	02/43/34			2 BOLT CARR 1/4-20 X 1
8	0K0130			2 BUSBAR 200A TRANSFER SW NI .N2
9	04/98/97			4 SCREW SHC M8-1.25 X 20 68
10	02/21/29			4 WASHER LOCK M8-5/16
11	0E3375			4 LUG SLDLSS 250-#6 AL/CU
12	0F12/52			4 SCREW BHSC 1/4-20 X 3/8
13	0E6033			4 90 DEGREE DN SPADE CONNECTOR
14	0E6034			1 STRAIGHT SPADE CONNECTOR
15	0J8202			1 LUG SLDLSS 270-#14X#10-32X.125
16	0K1081			1 WIRE NEUTRAL/GND CONNECTION
17	0K0108A			1 ASSY-NEUT BLK 200A W/TAP
18	090388			2 SCREW HHTT M6-1.0 X 12 ZINC
19	0K01170ALOR			1 ENCLOSURE 200A SE XFRSW RAW
20	0K01180ALOR			1 COVER 200A SE XFRSW RAW
21	0K0119			1 SUBPLATE 200A SE XFER SW
22	0K01310ALOR			1 COVER INSIDE 200A SE XFER SW RAW
23	0K0132			1 CB RISER BRACKET 200A GENERAC
24	0K1736B			1 DECAL XFER SW SE 150A 120/240
25	0E3484			1 DECAL WARN MANUAL OPER HANDLE
26	0G9651A			1 DECALS SERVICE ENTRANCE
27	0G9651B			1 DECALS SERVICE ENTRANCE
28	0G9651C			1 DECALS SERVICE ENTRANCE
29	0F2659			2 SCREW HHTT M3-0.5 X 6 BP
30	0K1018			1 DECAL NEUTRAL CONNECTION
31	0D3587			1 DECAL FUSE REPLACEMENT
32	026902			1 SCREW HHTT #8-32 X 1/4 CZ
33	0K1738			1 DECAL TEST SEQUENCE 100-200A SE
34	0G3274			1 DECAL LIVE CIRCUIT ENG/FRM/SPN
35	0G3259			1 DECAL TERMINAL SHOCK HZD BI
36	0K1098			1 DECAL RTS TRANSFER SW GENERAC
37	0H6389			1 DECAL UTILITY LOAD SENSE 240V
38	0HT917			1 DECAL CUSTOMER CONN RTS
39	0A1495			8 SCREW HHTT M4-0.7 X 10 BP
40	026850			2 WASHER LOCK EXT 1/4 STL
41	0E7213			1 SCREW THUMB 1/4-20 X1/2 W/SHLD
42	085889			1 NUT HEX 1/4-20 SS
43	0G8411			8 NUT HEX FL WHIZ 1/4-20
44	022473			4 WASHER FLAT 1/4-M6 ZINC
45	022097			4 WASHER LOCK M6-1/4
46	0E6193			1 BRACKET ARM EXTENDER
47	0D6162			2 RIVET POP .156 X .362 AL
48	0E6155			1 PIN ARM EXTENDER
49	0K0103			1 RELAY PNL 12VDC DPDT 10A@240VA
50	0D2572			1 FUSEBLOCK 30A 600V 3POS W/SO
51	073590A			3 FUSE 5A X BUSS
52	0D7393T			1 TERM BLOCK 3P UL 12-20AWG
53	0L3068			2 SCREW THTT M3-0.5 X 25 ZP
54	0H7190			1 BRACKET LOAD SHED 200A RTS
55	0L3123			1 ASSY SMART AC MOD
56	0HT270			1 CHANNEL SNAPTRACK 76.2 X 101.2
57	0HT274			1 DECAL NEC COMPLIANCE
58	0K8414			1 CB TERMINAL COVER 2 POLE 240V
59	0K8628			2 SCREW PFH 4-24 X 5/16 TCS
60	064761			4 TIE WRAP UL 5 6 X 10 NATL
61	0L3247			1 HARNESS 200A SE SACM

-SERIAL NUMBER AND FRONT DECAL PER MODEL
 **SUPPLIED WITH HARNESS ITEM *61

PART NUMBER	DESCRIPTION	ITEM # 24	ITEM # 36
0L3216	ASSEMBLY 150A SERVICE ENTR GEN	OK1736B	PER MODEL
0L3216A	EXPLODED VIEW DRAWING	N/A	N/A
0L3216B	ASSEMBLY 150A SERVICE ENTR GEN	OK1736B	OK1098
0L3216C	ASSEMBLY 150A SERVICE ENTR HNYWL	CJ3804B	OK1274

REFERENCE DRAWINGS
 0L3242 SCHEMATIC/WIRING DIAGRAMS
 OK1846 CARTON 305 X 142 X 7
 0HT275 TEST PROC HSB XFRSW
 0K0120 KIT ENCL 200A SE AL GENERAC

SECTION E-E
 SCALE 0.600

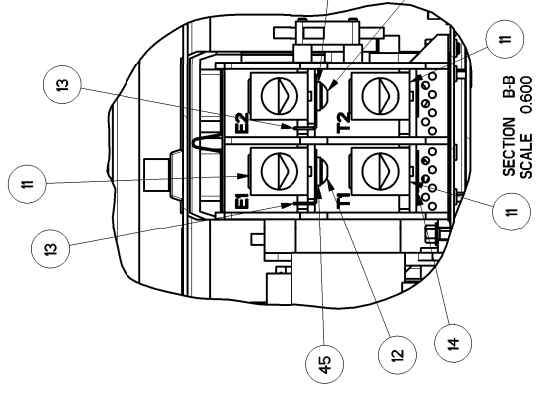
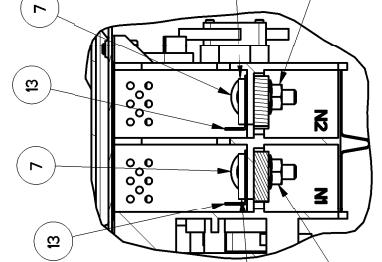
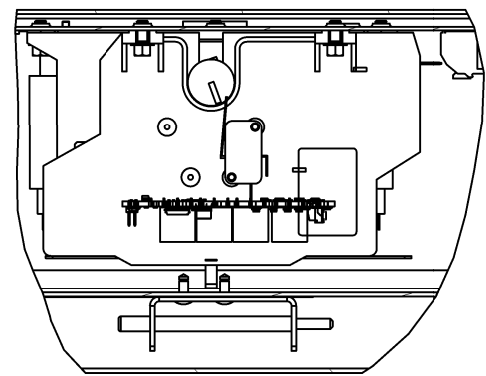
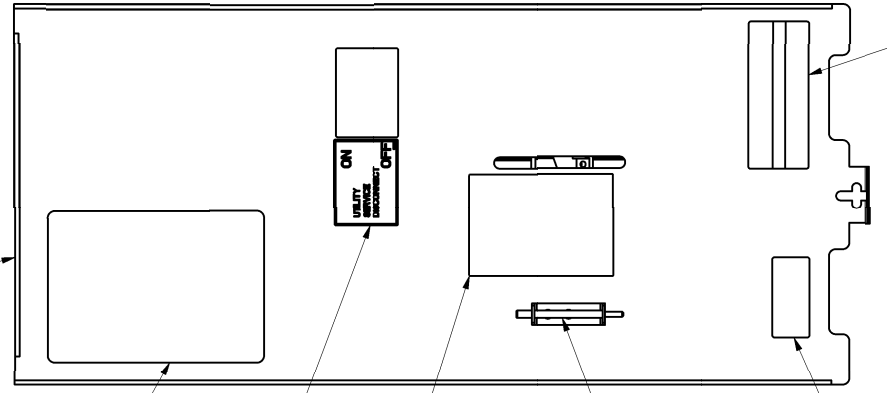
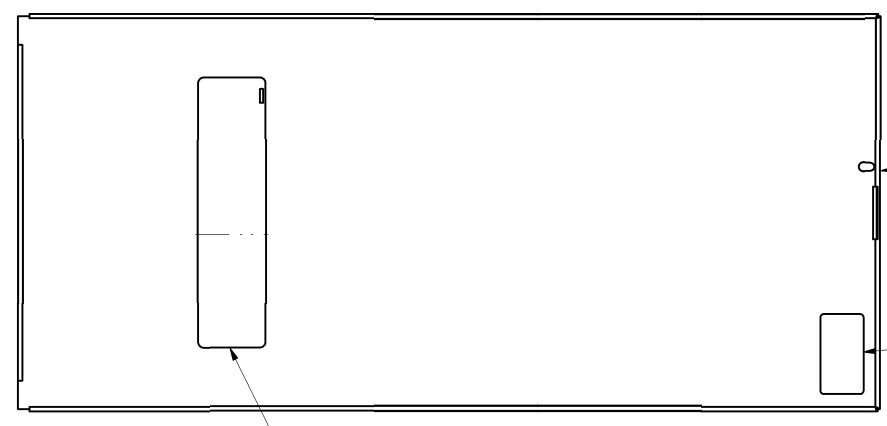
TORQUE ITEM 7 AND 43
 TO 72 IN-LBS

SECTION C-C
 SCALE 0.600

TORQUE ITEM 12
 TO 72 IN-LBS

SECTION B-B
 SCALE 0.600

DRAWING CREATED FROM PRO/ENGINEER
 3D FILE - NO MODIFICATION TO BE
 APPLIED TO SOLID MODEL ONLY.



GENERAC

ASSEMBLY 150A SERVICE
 ENTRANCE GENERAC CB

GENERAL ASSEMBLY DRAWING

ISSUE DATE:	DWG NO	REV
SIZE	CAGE NO	B
D	N/A	0L3216\$
SCALE	WT-AG 306451478.68 SHEET	1 of 1