

8 7 6 5 4 3

SH 1/1 REV D WINDMILL VERSION D.1

D

D

C

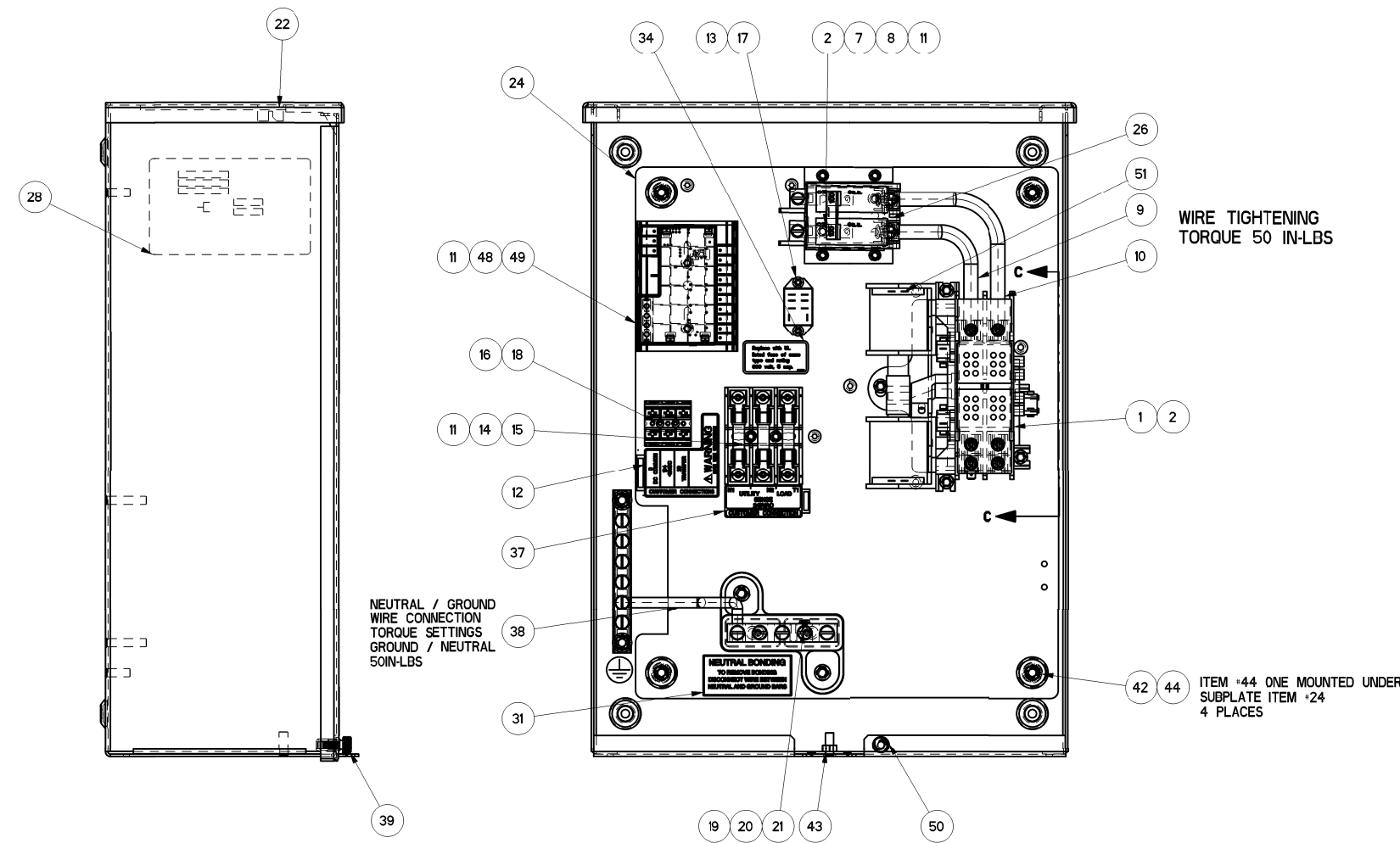
C

B

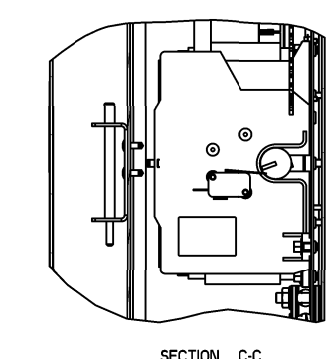
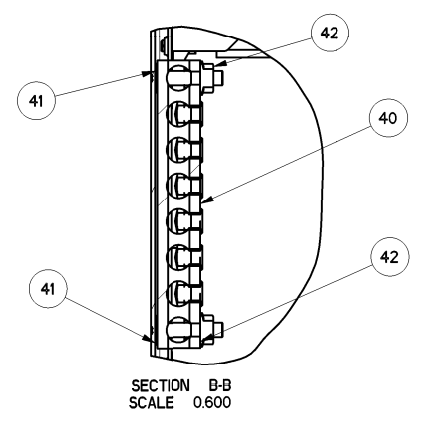
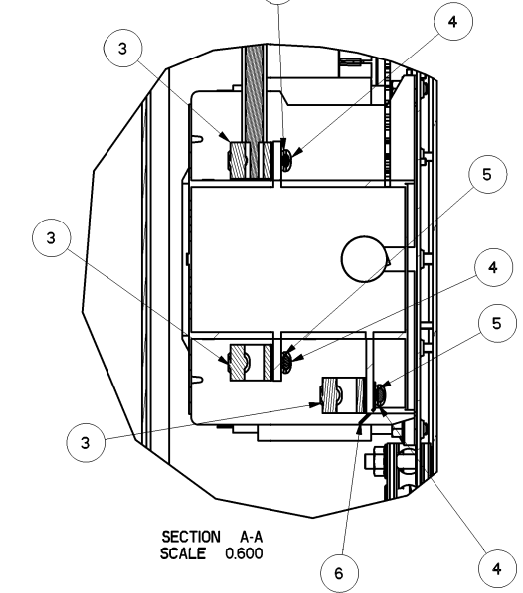
B

A

A



TORQUE ITEM #4 TO 24-30 IN-LBS



ITEM #	PART #	QTY	DESCRIPTION
1	0L2910	1	XFRSW HSB 100A 2P 250V
2	074908	6	SCREW HHTT M5-0.8 X 10 BP
3	077033	6	LUG SLDLSS 1/0-#14X9/16 AL/CU
4	0G7624	6	SCREW PPHM #10-32 X 5/16
5	022152	6	WASHER LOCK #10
6	G074138	1	LUG DIS QK N1-S 10X45 DEG BR/T
7	0E7886H	1	CB 0100A 2P 240V S BQ2 LB
8	0E7890	1	BRKT CB MTG BACK
9	0G5780A	1	ASSY WIRE 2AWG 5.375" #N1A BLK
10	0G5780B	1	ASSY WIRE 2AWG 6.875" #N2A BLK
11	0A1495	8	SCREW HHTT M4-0.7 X 10 BP
12	0H7917	1	DECAL CUSTOMER CONN RTS
**	13	0K0103	RELAY PNL 12VDC DPDT 10A@240VA
**	14	0D2572	FUSEBLOCK 30A 600V 3POS W/SQ
**	15	073590A	3 FUSE 5A X BUSS
**	16	0D7393T	1 TERM BLOCK 3P UL 12-20AWG
**	17	0F2659	2 SCREW HHTT M3-0.5 X 6 BP
**	18	0L3068	2 SCREW THTT M3-0.5 X 25 ZP
**	19	0K0108	1 ASSY-NEUT BLK 100A
**	20	090388	2 SCREW HHTT M6-1.0 X 12 ZINC
**	21	026902	1 SCREW HHTT #8-32 X 1/4 CZ
**	22	0K01120ALOR	1 ENCLOSURE 100/200A XFER SW_RAW
**	23	0K01130ALOR	1 COVER 100A XFER SWITCH_INST_RAW
**	24	0K0114	1 SUBPLATE,100/200A XFER SW
**	25	0K11120ALOR	1 COVER INSIDE 100A SE GRAY_RAW
**	26	0K1119	1 RISER 100A SERV ENT
*	27	0K1098	1 DECAL RTS TRANSFER SW GENERAC
*	28	0K1736A	1 DECAL_XFER SW SE 100A 120/240
*	29	0E3484	1 DECAL WARN MANUAL OPER HANDLE
*	30	0F9969	1 DECAL UTILITY DISCONNECT
*	31	0K1018	1 DECAL, NEUTRAL CONNECTION
*	32	0K1738	1 DECAL TEST SEQUENCE 100-200A SE
*	33	0H7274	1 DECAL NEC COMPLIANCE
*	34	0D3587	1 DECAL, FUSE REPLACEMENT
*	35	0G3259	1 DECAL TERMINAL SHOCK HZD B1
*	36	0G3274	1 DECAL LIVE CIRCUIT ENG/FRN/SPN
*	37	0H6389	1 DECAL UTILITY LOAD SENSE 240V
*	38	0K1167	1 WIRE NEUTRAL TO GROUND CONNECTION
*	39	0L6700	1 SCREW THUMB 1/4-20 X 1/2 KNURL
*	40	0J8202	1 LUG SLDLSS 2/0-#14X#10-32X.125
*	41	026850	2 WASHER LOCK EXT 1/4 STL
*	42	0G8411	6 NUT HEX FL WHIZ 1/4-20
*	43	085889	1 NUT HEX 1/4-20 SS
*	44	022473	4 WASHER FLAT 1/4-M6 ZINC
*	45	0E6193	1 BRACKET, ARM EXTENDER
*	46	0D6162	2 RIVET POP .156 X .362 AL
*	47	0E6155	1 PIN ARM EXTENDER
*	48	0L3123	1 ASSY SMART AC MOD
*	49	0H7270	1 CHANNEL SNAPTRACK 76.2 X 101.2
*	50	0L6699	1 NUT TRIC 1/4-20 ALUM
*	51	0L3246	1 WIRE HARNESS 100/200A RTS

ITEM #44 ONE MOUNTED UNDER SUBPLATE ITEM #24 4 PLACES

CENTER DECAL APPROXIMATELY 6-1/4" DOWN FROM TOP OF COVER USING ASSEMBLY TEMPLATE

**SERIAL NUMBER AND FRONT DECAL PER MODEL
**SUPPLIED WITH HARNESS ITEM #51

REFERENCE DRAWINGS
 0L3242 SCHEMATIC/WIRING DIAGRAMS
 0F6778 CARTON 30"5 X 14"2 X 7"8
 0H7275 TEST PROC HSB XFRSW
 0K0116 KIT ENCL 100 SE AL

PART NUMBER	DESCRIPTION	ITEM # 28	ITEM # 27
0L3215	ASSEMBLY 100A 120/240 SE	0K1736A	PER MODEL
0L3215A	EXPLODED VIEW DRAWING	N/A	N/A
0L3215B	ASSEMBLY 200A 120/240 SE	0K1736A	0K1098
0L3215C	ASSEMBLY 200A 120/240 SE	0J3804A	0K1274

GENERAL TOLERANCES UNLESS NOTED
 ALL XX ± 0.4 MM
 XXX ± 0.4 MM
 XXXX ± 0.15 MM
 ALL ANG ± .1°
 INTERPRET DIM AND TOL PER ASME Y14.5M-1994

GENERAC

TITLE
ASSEMBLY DWG 2-POLE 100A 120/240V SE

DRAWING CREATED FROM PRO/ENGINEER 3D FILE. ECO MODIFICATION TO BE APPLIED TO SOLID MODEL ONLY.

ISSUE DATE:	SIZE	CAGE NO	DWG NO	REV
	D	N/A	0L3215	D

SCALE 0.400 WT-KG 22428223.726HEET 1 of 1

GENERAL ASSEMBLY DRAWING

8 7 6 5 4 3 2 1