

ITEM #	PART #	QTY	DESCRIPTION
1	0L2910	1	XFRSW HSB 100A 2P 250V
2	074908	4	SCREW HHTT M5-0.8 X 10 BP
3	077033	6	LUG SLDLSS 1/0-#14X9/16 AL/CU
4	0G7624	6	SCREW PPHM #10-32 X 5/16
5	022152	6	WASHER LOCK #10
6	0A1495	4	SCREW HHTT M4-0.7 X 10 BP
7	0G74138	1	LUG DIS QK NI-S 10X45 DEG BR/T
** 8	0K0103	1	RELAY PNL 12VDC DPDT 10A@240VA
** 9	0D2572	1	FUSEBLOCK 30A 600V 3POS W/SO
10	073590A	3	FUSE 5A X BUSS
** 11	0D7393T	1	TERM BLOCK 3P UL 12-20AWG
12	0L3068	2	SCREW THTT M3-0.5 X 25 ZP
13	0K0108	1	ASSY-NEUT BLK 100A
14	090388	2	SCREW HHTT M6-1.0 X 12 ZINC
15	0K01120ALOR	1	ENCLOSURE 100/200A XFER SW_RAW
16	0K01130ALOR	1	COVER 100A XFER SWITCH_INST_RAW
17	0K0114	1	SUBPLATE,100/200A XFER SW
18	0H7917	1	DECAL CUSTOMER CONN RTS
19	0G8411	6	NUT HEX FL WHIZ 1/4-20
20	0A9457	1	DECAL, NEUTRAL
21	0A9517	1	DECAL MANUAL 5A FUSE
* 22	0K1098	1	DECAL RTS TRANSFER SW GENERAC
23	0K1800	1	DECAL TEST SEQUENCE 100/200A NON
24	0G3274	1	DECAL LIVE CIRCUIT ENG/FRN/SPN
25	0H6389	1	DECAL UTILITY LOAD SENSE 240V
26	0J8202	1	LUG SLDLSS 2/0-#14X#10-32X.125
27	026850	2	WASHER LOCK EXT 1/4 STL
28	022473	4	WASHER FLAT 1/4-M6 ZINC
* 29	0K1799A	1	DECAL DATA NON SE SW 100A
30	085296	1	SCREW HHC 1/4-20 X 1/2 SS
31	0D6162	2	RIVET POP .156 X .362 AL
32	0E6155	1	PIN ARM EXTENDER
33	0E6193	1	BRACKET, ARM EXTENDER
34	0F2659	2	SCREW HHTT M3-0.5 X 6 BP
35	0A2115	1	WASHER NYLON .257
36	026902	1	SCREW HHTT #8-32 X 1/4 CZ
37	0H7270	1	CHANNEL SNAPTRACK 76.2 X 101.2
38	0L3123	1	ASSY SMART AC MOD
39	0H7274	1	DECAL NEC COMPLIANCE
40	0L6699	1	NUT TRIC 1/4-20 ALUM
41	0L3246	1	WIRE HARNESS 100/200A RTS

**SERIAL NUMBER AND FRONT DECAL PER MODEL
 **SUPPLIED WITH HARNESS ITEM #41

PART NUMBER	DESCRIPTION	ITEM # 29	ITEM # 22
OL3210	ASSEMBLY 100A 120/240 NON SE	OK1799A	PER MODEL
OL3210A	EXPLODED VIEW DRAWING	N/A	N/A
OL3210B	ASSEMBLY 100A 120/240 NON SE	OK1799A	OK1098
OL3210C	ASSEMBLY 100A 120/240 NON SE	OJ3806A	OK1274

GENERAL TOLERANCES UNLESS NOTED

ALL XX ± 0.4 MM	THIRD ANGLE PROJECTION
XXX ± 0.4 MM	
XXX ± 0.8 MM	
ALL ANG ± F	

INTERPRET DIM AND TOL PER ASME Y14.5M-1994

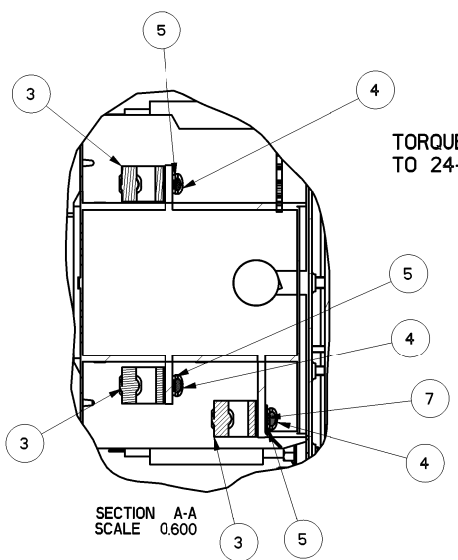
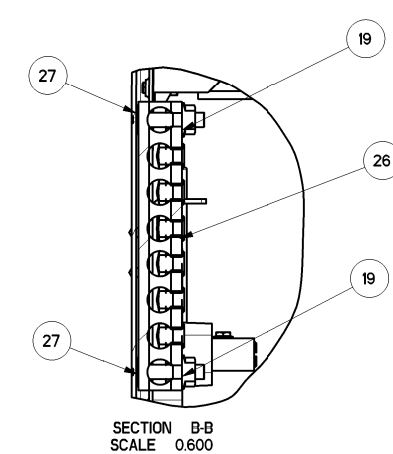
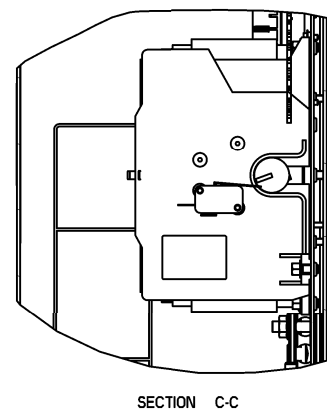
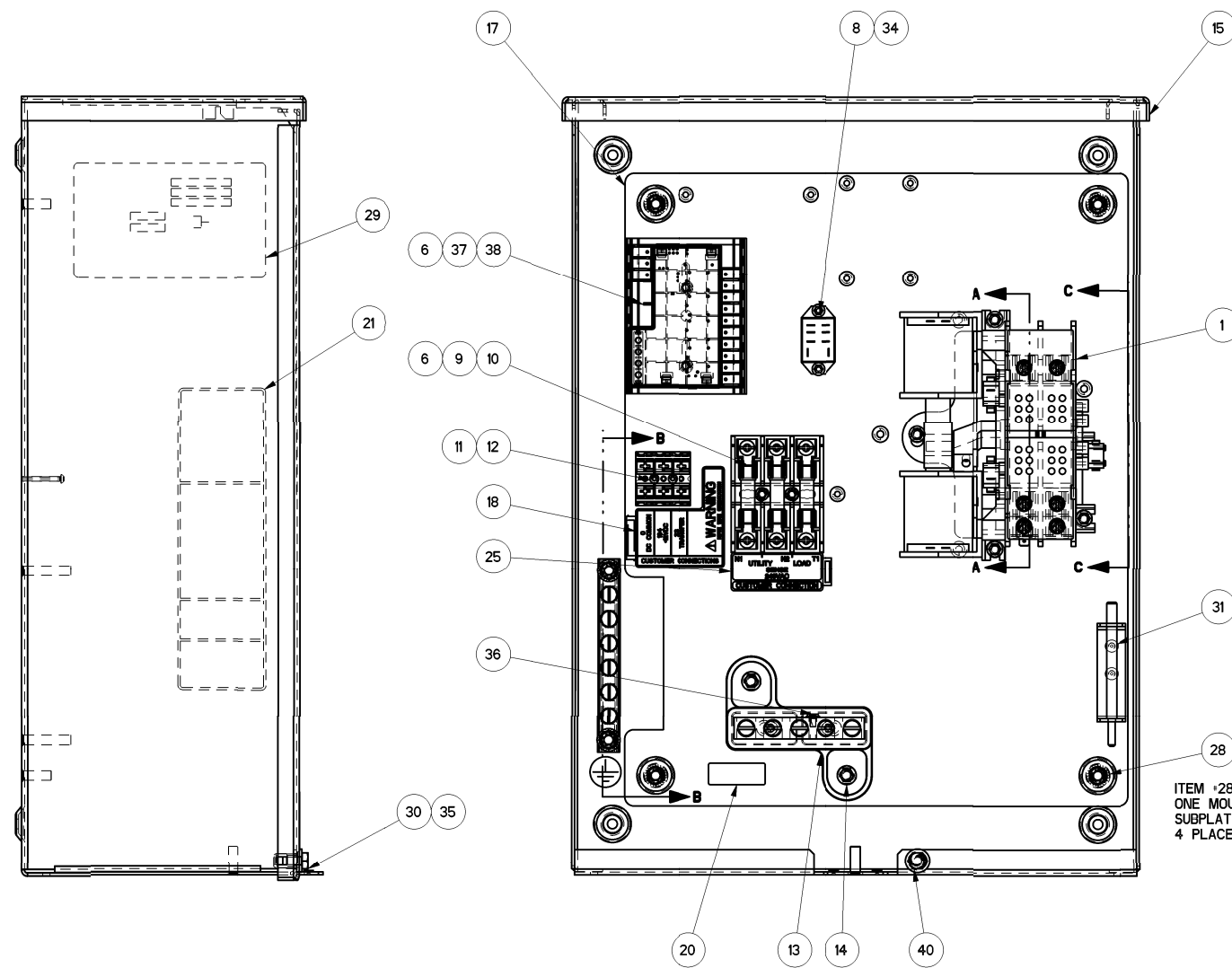
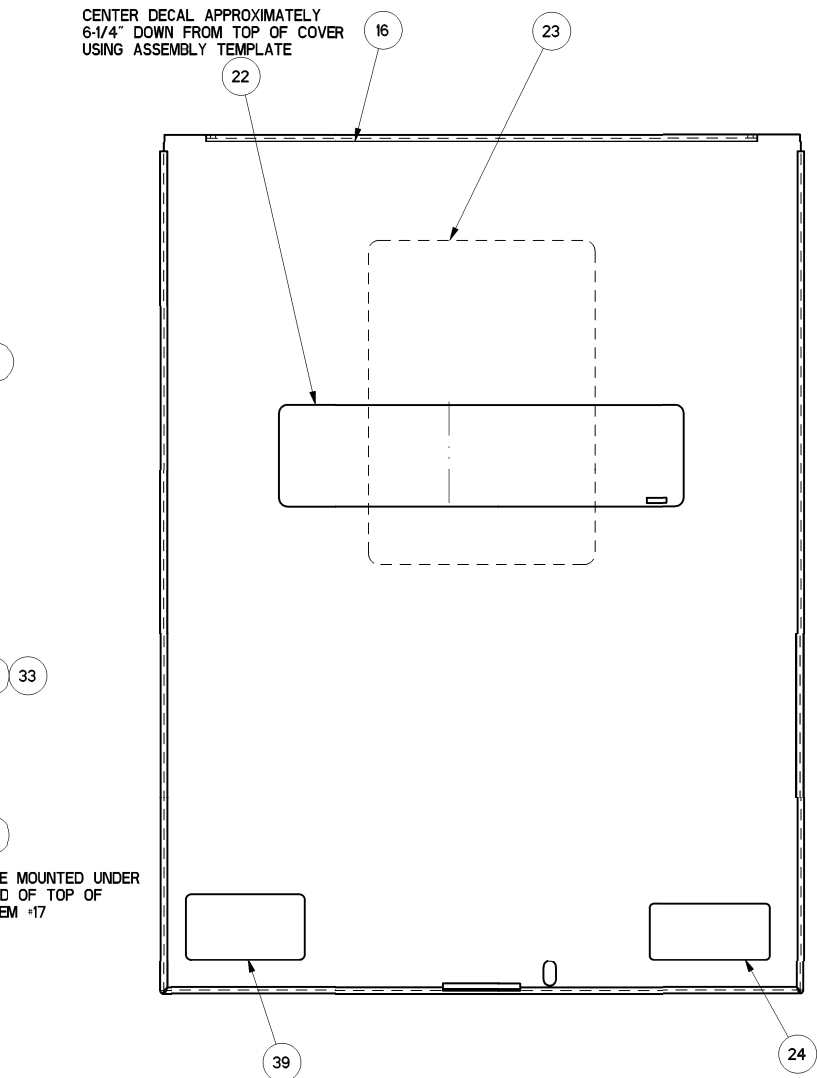
GENERAC POWER SYSTEMS OWNS THE COPYRIGHT OF THIS DRAWING WHICH IS SUPPLIED IN CONFIDENCE AND MUST NOT BE USED FOR ANY PURPOSE OTHER THAN FOR WHICH IT IS SUPPLIED WITHOUT THE EXPRESS WRITTEN CONSENT OF GENERAC POWER SYSTEMS. © GENERAC POWER SYSTEMS 2010

ELECTRONICALLY APPROVED INSIDE WINDCHILL

GENERAC

TITLE
ASSEMBLY DWG 2-POLE 100A 120/240V

ISSUE DATE:
 SIZE D CAGE NO N/A DWG NO **OL3210\$** REV C
 SCALE 0.450 WT-KG 22428213.10 SHEET 1 of 1



REFERENCE DRAWINGS
 OL3241 SCHEMATIC/WIRING DIAGRAMS
 OF6778 CARTON 30.5 X 14.2 X 7.8
 0H7275 TEST PROC HSB XFRSW
 OK0115 KIT ENCL 100/200A NON SE AL

GENERAL ASSEMBLY DRAWING

DRAWING CREATED FROM PRO/ENGINEER 3D FILE. ECO MODIFICATION TO BE APPLIED TO SOLID MODEL ONLY.