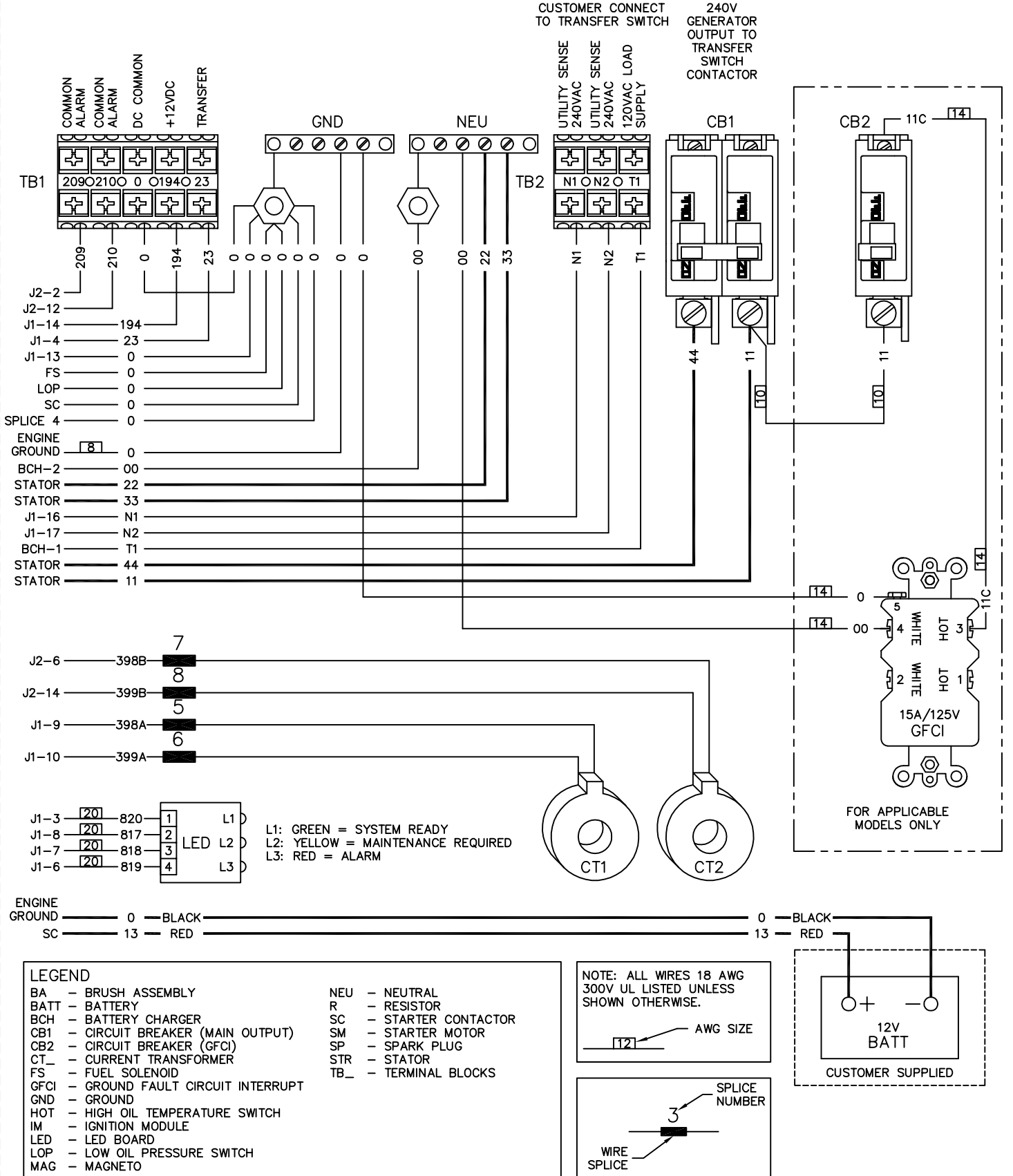
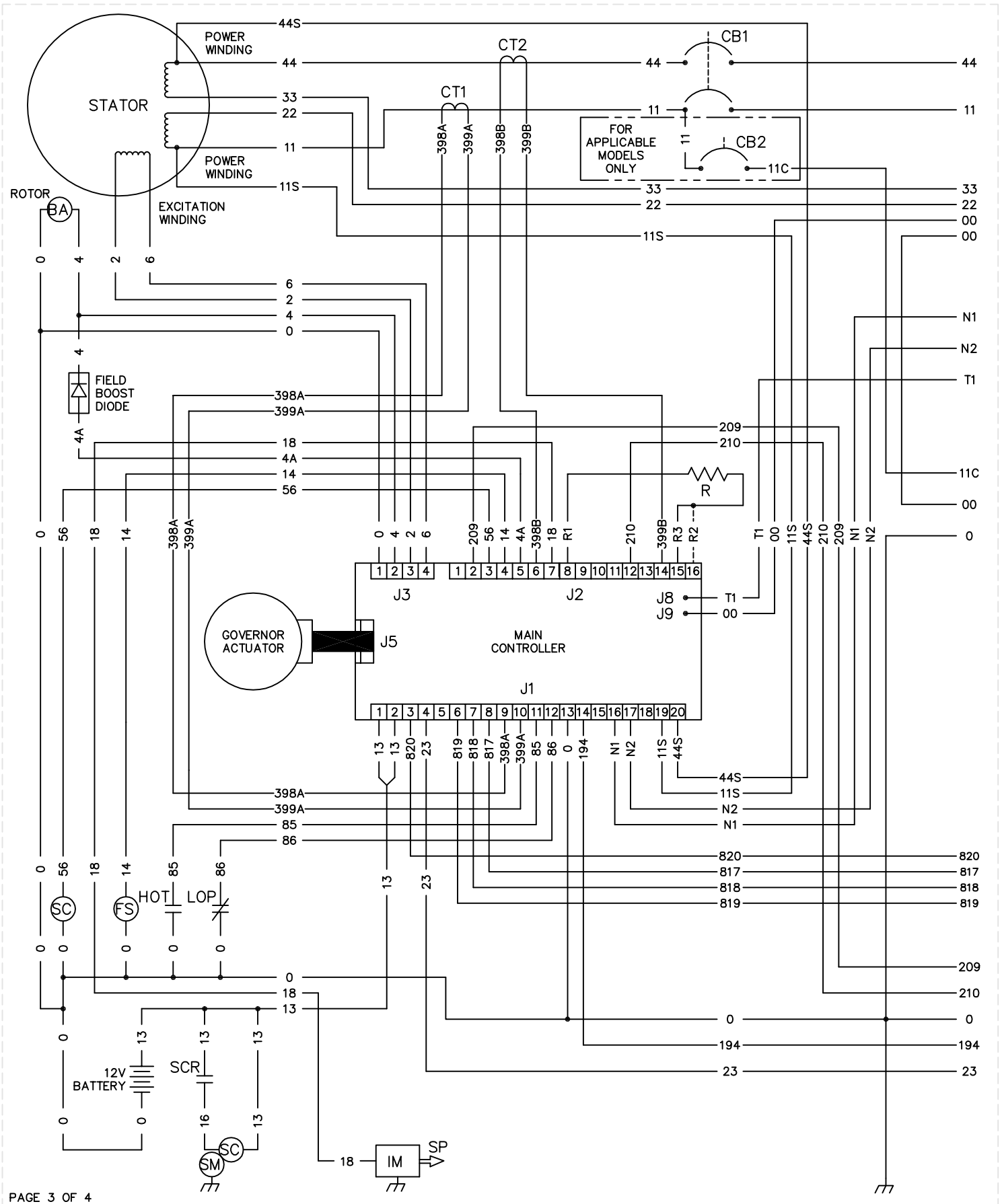
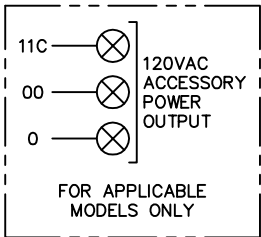
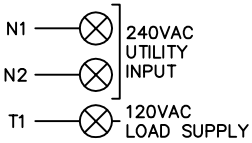
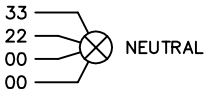
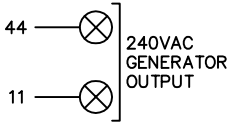


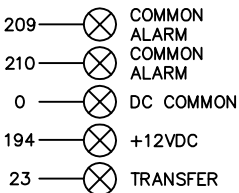
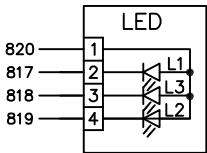
COMPONENTS LOCATED IN CUSTOMER CONNECTION AREA







L1: GREEN = SYSTEM READY
 L2: YELLOW = MAINTENANCE REQUIRED
 L3: RED = ALARM



LEGEND			
BA	- BRUSH ASSEMBLY	LED	- LED BOARD
CB1	- CIRCUIT BREAKER (MAIN OUTPUT)	LOP	- LOW OIL PRESSURE SWITCH
CB2	- CIRCUIT BREAKER (ACCESSORY POWER)	R	- RESISTOR
CT_	- CURRENT TRANSFORMER	SC	- STARTER CONTACTOR
FS	- FUEL SOLENOID	SCR	- STARTER CONTROL RELAY
HOT	- HIGH OIL TEMPERATURE SWITCH	SM	- STARTER MOTOR
IM_	- IGNITION MODULE	SP_	- SPARK PLUG