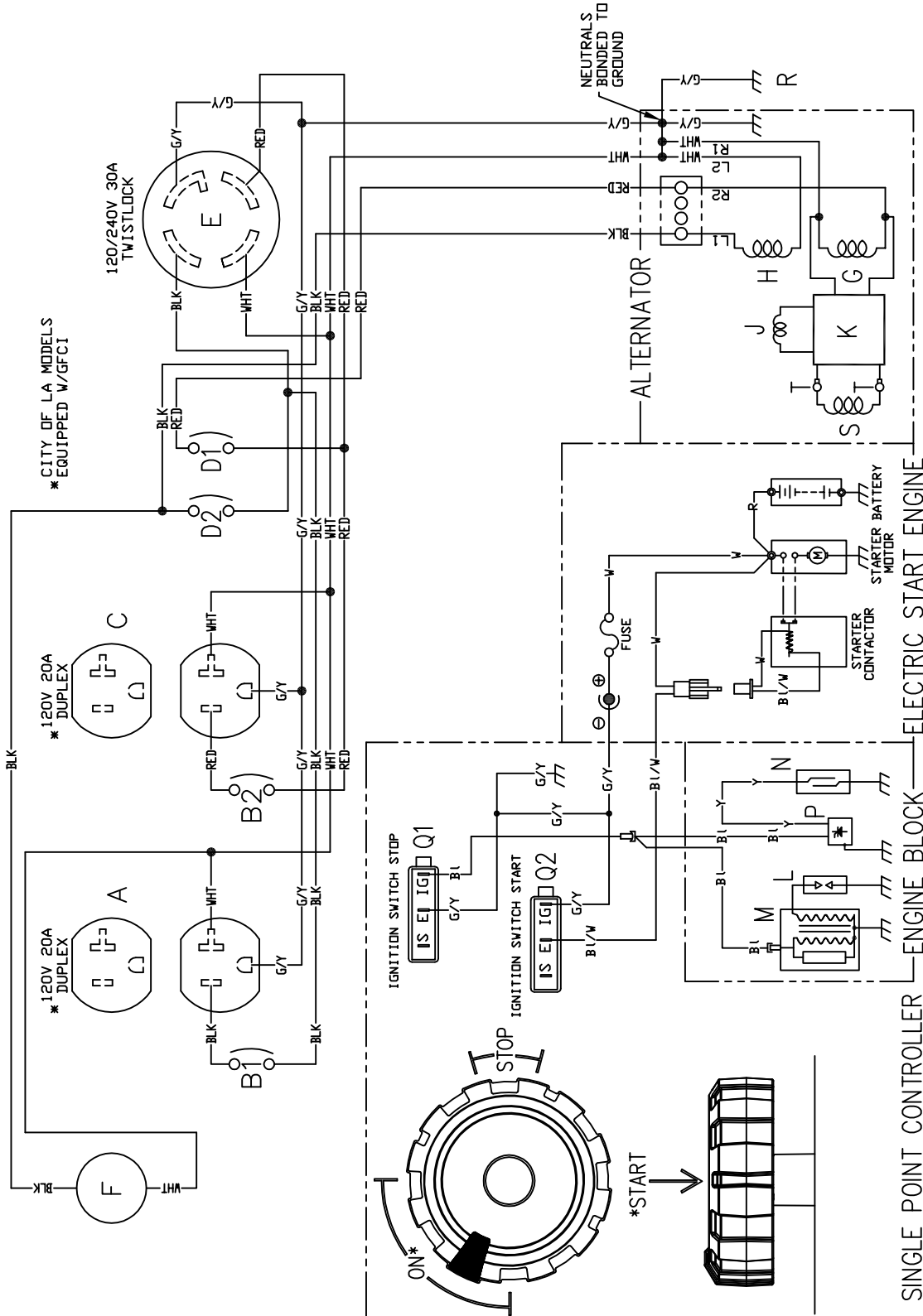
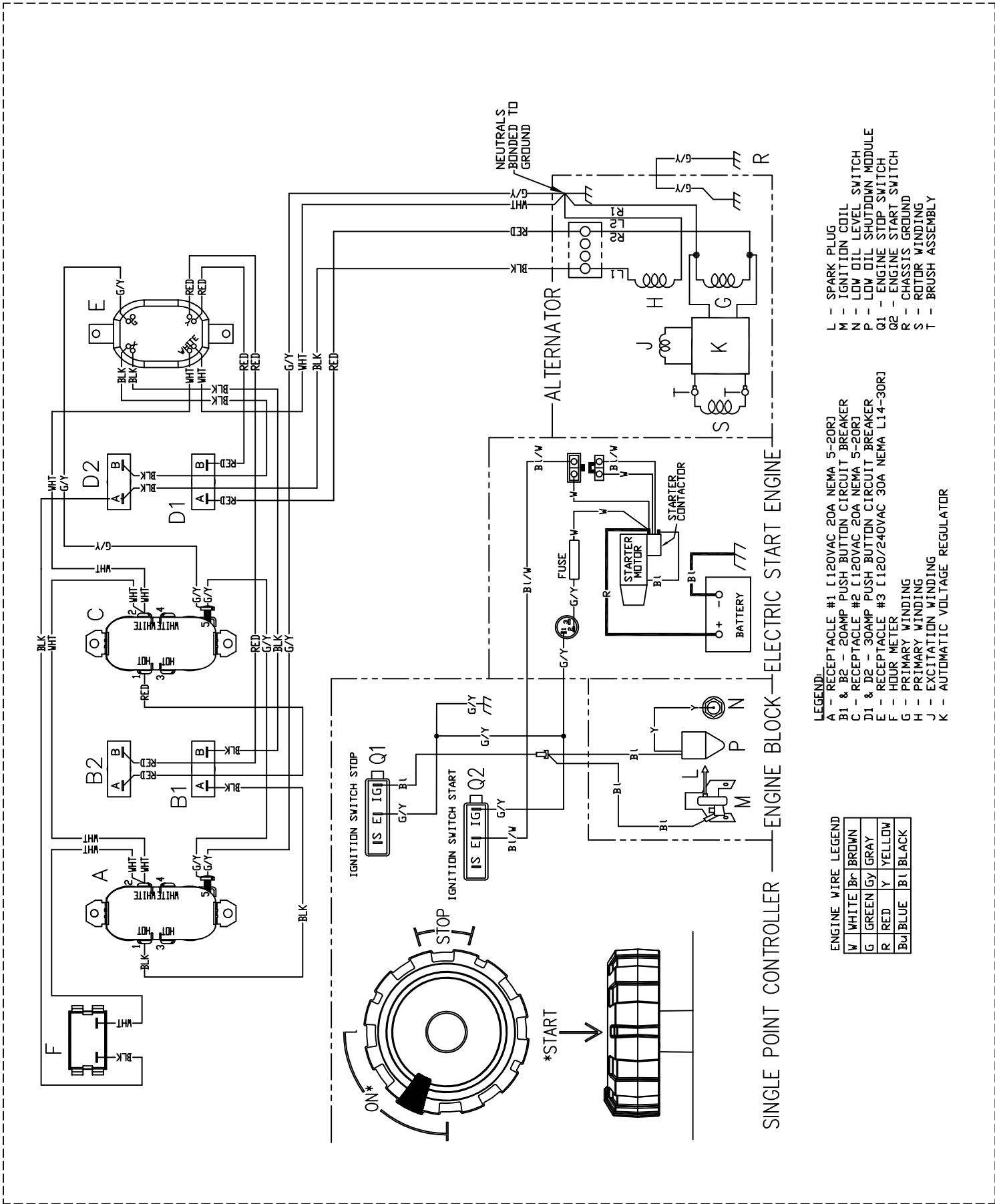


NOTE: ALL RECEPTACLES SHOWN FROM REAR, WIRE SIDE.



- LEGEND:
- A - RECEPTACLE #1 [120VAC 20A NEMA 5-20RJ]
 - B1 & B2 - 20AMP PUSH BUTTON CIRCUIT BREAKER
 - C - RECEPTACLE #2 [120VAC 20A NEMA 5-20RJ]
 - D1 & D2 - 30AMP PUSH BUTTON CIRCUIT BREAKER
 - E - RECEPTACLE #3 [120/240VAC 30A NEMA L14-30RJ]
 - F - HOUR METER
 - G - PRIMARY WINDING
 - H - EXCITATION WINDING
 - J - AUTOMATIC VOLTAGE REGULATOR
 - K - ROTOR WINDING
 - L - SPARK PLUG
 - M - IGNITION COIL
 - N - LOW OIL LEVEL SWITCH
 - P - LOW OIL SHUTDOWN MODULE
 - Q1 - ENGINE STOP SWITCH
 - Q2 - ENGINE START SWITCH
 - R - CHASSIS GROUND
 - S - ROTOR WINDING
 - T - BRUSH ASSEMBLY

ENGINE WIRE LEGEND	
W	WHITE BR BROWN
G	GREEN GY GRAY
R	RED Y YELLOW
BL	BLUE B BLACK



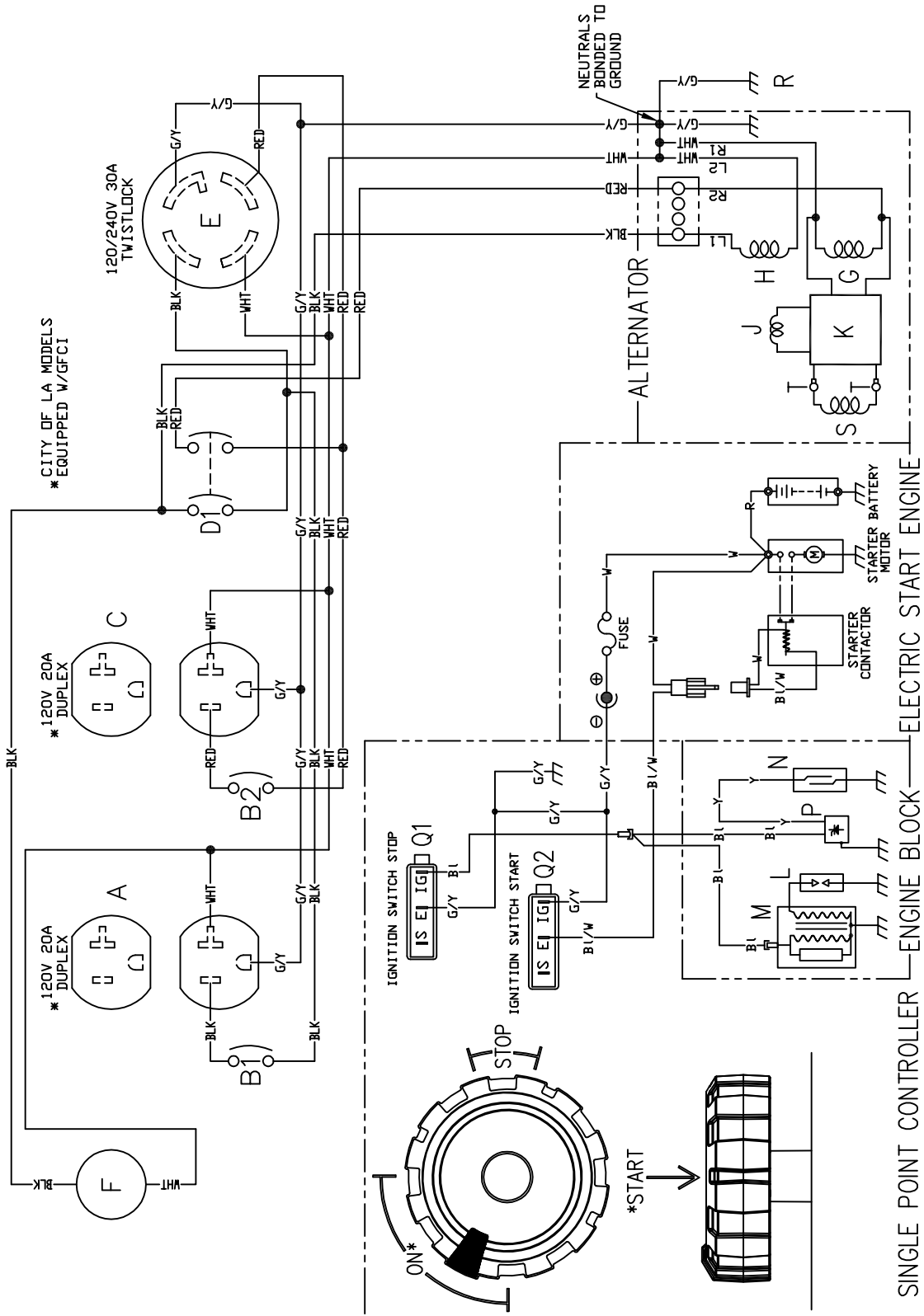
LEGEND:

- A - RECEPTACLE #1 [120VAC 20A NEMA 5-20R]
- B1 & B2 - 20AMP PUSH BUTTON CIRCUIT BREAKER
- C - RECEPTACLE #2 [120VAC 20A NEMA 5-20R]
- D1 & D2 - 30AMP PUSH BUTTON CIRCUIT BREAKER
- E - HOUR METER
- F - PRIMARY WINDING
- G - AUTOMATIC VOLTAGE REGULATOR
- H - EXCITATION WINDING
- J - ROTOR WINDING
- K - BRUSH ASSEMBLY
- L - SPARK PLUG
- M - IGNITION COIL
- N - LOW OIL LEVEL SWITCH
- P - LOW OIL SHUTDOWN MODULE
- Q1 - ENGINE STOP SWITCH
- Q2 - ENGINE START SWITCH
- R - CHASSIS GROUND
- S - ROTOR WINDING
- T - BRUSH ASSEMBLY

ENGINE WIRE LEGEND

W	WHITE	Br	BROWN
G	GREEN	Gy	GRAY
R	RED	Y	YELLOW
Bu	BLUE	Bl	BLACK

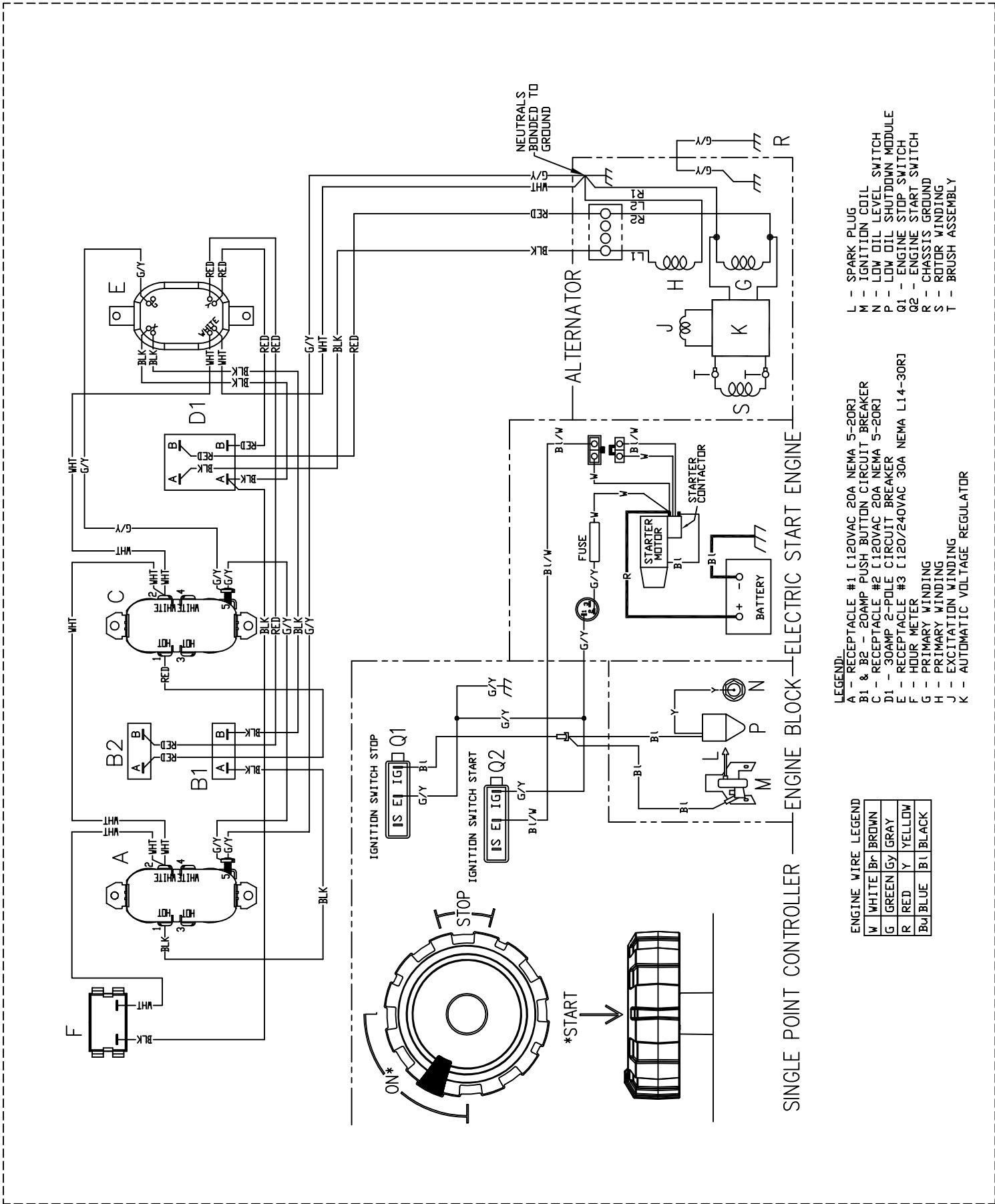
NOTE: ALL RECEPTACLES SHOWN FROM REAR, WIRE SIDE.



- LEGEND:
- A - RECEPTACLE #1 [120VAC 20A NEMA 5-20R]
 - B1 & B2 - 20AMP PUSH BUTTON CIRCUIT BREAKER
 - C - RECEPTACLE #2 [120VAC 20A NEMA 5-20R]
 - D1 - 30AMP 2-POLE CIRCUIT BREAKER
 - E - HOUR METER
 - F - PRIMARY WINDING
 - G - PRIMARY WINDING
 - H - EXCITATION WINDING
 - J - AUTOMATIC VOLTAGE REGULATOR
 - K - SPARK PLUG
 - L - IGNITION COIL
 - M - LOW OIL LEVEL SWITCH
 - N - LOW OIL SHUTDOWN MODULE
 - P - ENGINE STOP SWITCH
 - Q1 - ENGINE STOP SWITCH
 - Q2 - CHASSIS GROUND
 - R - ROTOR WINDING
 - S - BRUSH ASSEMBLY
 - T - BRUSH ASSEMBLY

ENGINE WIRE LEGEND

W	WHITE	Bc	BROWN
G	GREEN	Gy	GRAY
R	RED	Y	YELLOW
Bu	BLUE	Bl	BLACK



- LEGEND:
- A - RECEPTACLE #1 [120VAC 20A NEMA 5-20R]
 - B1 & B2 - 20AMP PUSH BUTTON CIRCUIT BREAKER
 - C - RECEPTACLE #2 [120VAC 20A NEMA 5-20R]
 - D1 - 30AMP 2-POLE CIRCUIT BREAKER
 - E - RECEPTACLE #3 [120/240VAC 30A NEMA L14-30R]
 - F - HOUR METER
 - G - PRIMARY WINDING
 - H - PRIMARY WINDING
 - J - EXCITATION WINDING
 - K - AUTOMATIC VOLTAGE REGULATOR
 - L - SPARK PLUG
 - M - IGNITION COIL
 - N - LOW OIL LEVEL SWITCH
 - P - LOW OIL SHUTDOWN MODULE
 - Q1 - ENGINE STOP SWITCH
 - Q2 - ENGINE START SWITCH
 - R - CHASSIS GROUND
 - S - ROTOR WINDING
 - T - BRUSH ASSEMBLY

ENGINE WIRE LEGEND

W	WHITE
Bp	BROWN
G	GREEN
Gy	GRAY
R	RED
Y	YELLOW
Bl	BLUE
Blk	BLACK

REVISION: C
DATE: 03/21/13

WIRING - DIAGRAM
GP SERIES
DRAWING #: 0J8438