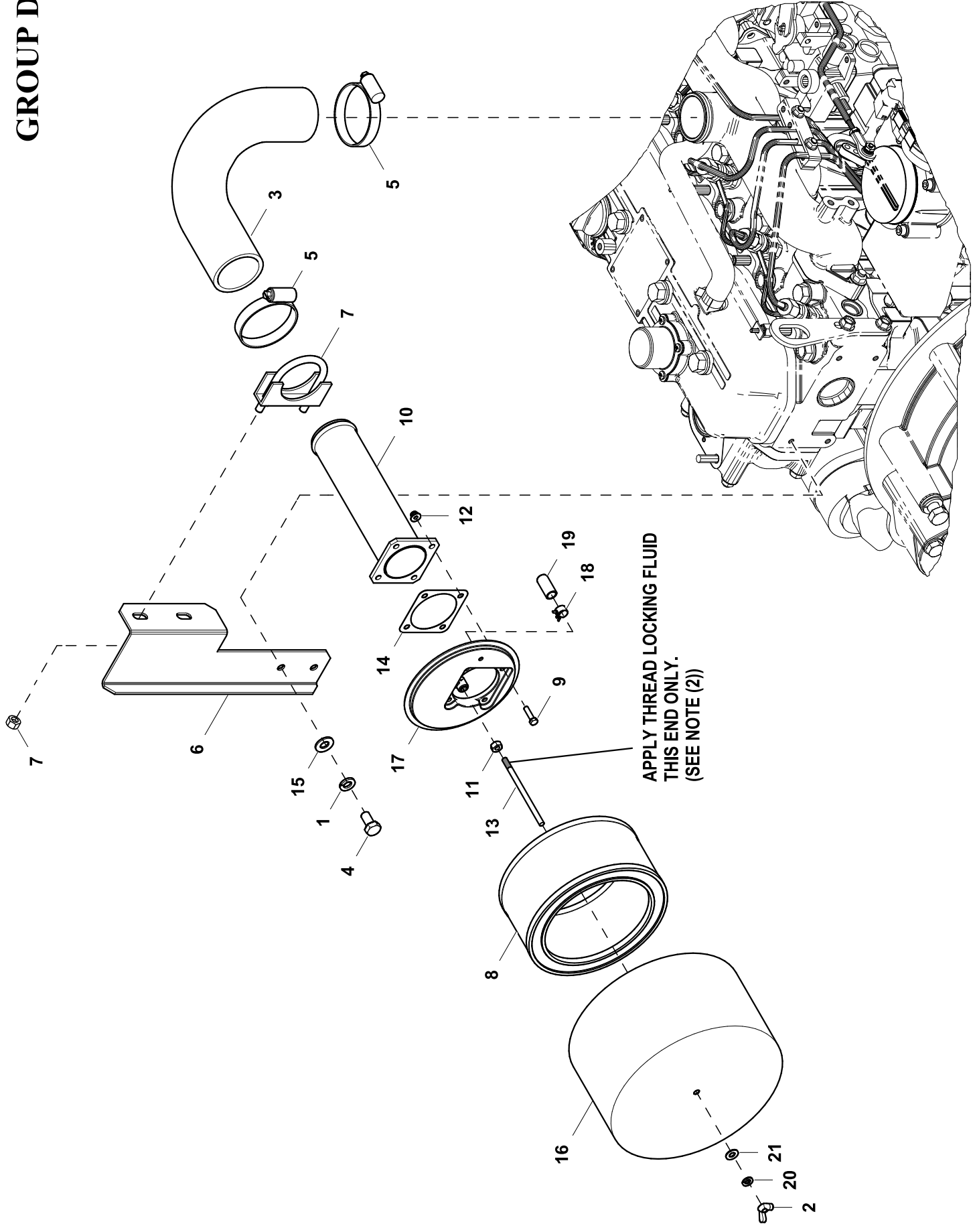


GROUP D



APPLY THREAD LOCKING FLUID
THIS END ONLY.
(SEE NOTE (2))

EXPLODED VIEW: EV AIR CLEANER D2.3L G16**DRAWING #:0K2271****GROUP D**

ITEM	PART#	QTY.	DESCRIPTION
1	022129	2	WASHER LOCK M8-5/16
2	025870	1	NUT WING 1/4-20
3	0K2288	1	HOSE INTAKE D2.3L G16
4	042907	2	SCREW HHC M8-1.25 X 16 C8.8
5	0G1285C	2	CLAMP CNST TENSION 1.75-2.625
(1)6	0K22720STOR	1	BRACKET AIR CLEANER D2.3L G16
7	035480	1	BOLT U 5/16-18 X 2.06
8	0C8127	1	ELEMENT, AIR CLEANER
9	052619	4	SCREW HHC M5-0.8 X 20 G8.8
10	0J8600	1	ADAPTOR AIR CLEANER
11	022127	1	NUT HEX 1/4-20 STEEL
12	0H3535	4	NUT FLANGE M5-0.8 NYLOCK
(2)13	062974	1	STUD TH 1/4-20 X 4-1/2 G2 ZNC
14	0E6586B	1	GASKET AIR CLEANER
15	022145	2	WASHER FLAT 5/16-M8 ZINC
16	0G0190	1	PLATE, AIR CLEANER TOP 2.4L
17	0E0519	1	ADAPTER, CARBURETOR W/PVC CONN
18	048031C	1	CLAMP HOSE BAND .50
19	0E9974	1	CAP VINYL 3/8"ID X 1"DP BLK
20	022097	1	WASHER LOCK M6-1/4
21	022473	1	WASHER FLAT 1/4-M6 ZINC

NOTES (UNLESS OTHERWISE SPECIFIED):

(1) SHEET METAL PARTS LISTED IN THE BOM TABLE ARE REPRESENTING GENERIC PARTS (NO COLOR)

- MANUFACTURING: FOR CORRECT MATERIAL AND COLOR REFER TO AS400 BOM.
- CUSTOMER: WHEN ORDERING REPLACEMENT PARTS ENTER BASE NUMBER (FIRST 6 DIGITS ONLY) IN THE SYSTEM FOR CORRECT MATERIAL AND COLOR (FOR REFERENCE SEE GUIDELINE 0H7169).

(2) APPLY MEDIUM STRENGTH BLUE THREAD LOCKING FLUID TO THREADS.