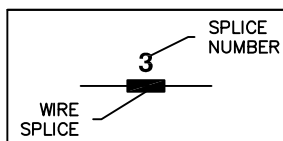
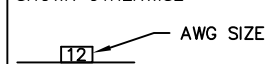


## LEGEND

ALT_ - DC CHARGE ALTERNATOR	IP - INJECTOR PUMP
AS - ALTERNATOR STATOR	J_ - MAIN CONTROLLER CONNECTORS
BA - BRUSH ASSEMBLY	LD - LEAK DETECTOR
BCH_ - BATTERY CHARGER	LOS - LOW OIL PRESSURE SWITCH
CAR - COMMON ALARM RELAY	MLCB - MAIN LINE CIRCUIT BREAKER
COP1 - CROSSOVER PLUG 16-PIN (BULKHEAD)	MPU - MAGNETIC PICKUP
COP2 - CROSSOVER PLUG 12-PIN (BULKHEAD)	NB - NEUTRAL BLOCK
COR1 - CROSSOVER RECEPTACLE 16-PIN	PHC - PREHEAT CONTACTOR
COR2 - CROSSOVER RECEPTACLE 12-PIN	RLY - CONTROL RELAY
DB_ - DIODE BRIDGE	R - RESISTOR
ES_ - EMERGENCY STOP	SC - STARTER CONTACTOR
FLS - FUEL LEVEL SWITCH	SM - STARTER MOTOR
F_ - FUSE	TB_ - TERMINAL BLOCK
GA - GOVERNOR ACTUATOR	THMS - THERMISTOR (BATTERY AMBIENT TEMP.)
GND - GROUND CONNECTION	WLS - COOLANT LEVEL SENSOR
GP - GLOW PLUG	WTS - COOLANT TEMPERATURE SENSOR

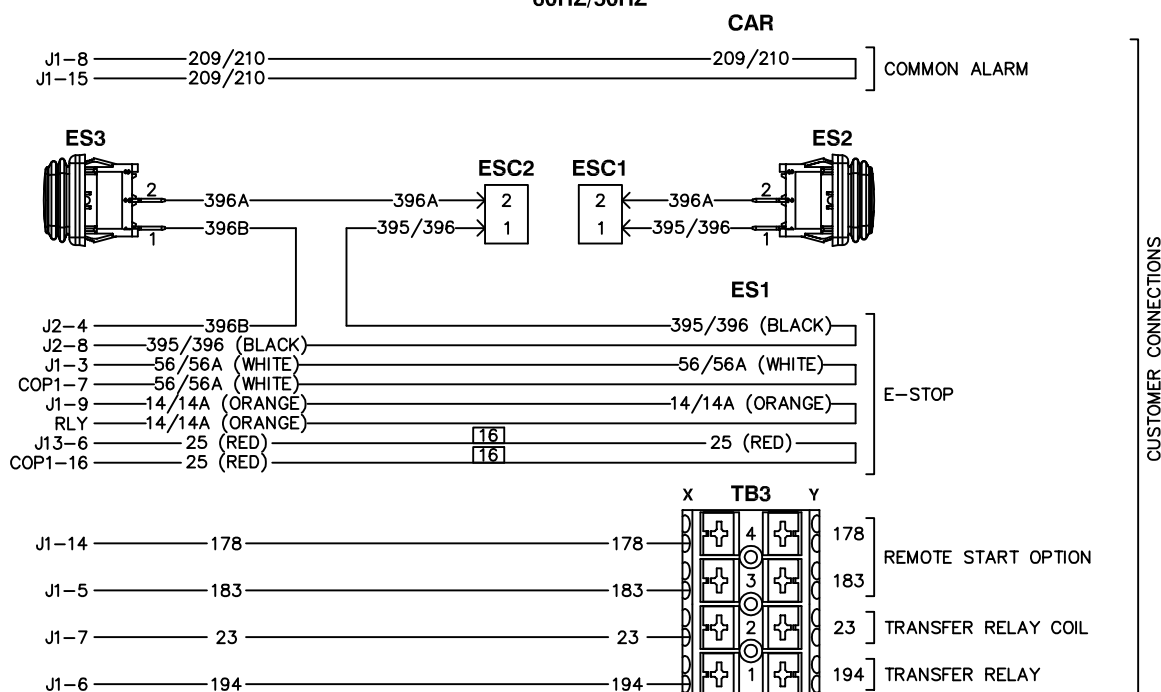
NOTE: ALL WIRES 18 AWG  
300V UL LISTED UNLESS  
SHOWN OTHERWISE



## COMPONENTS LOCATED IN CUSTOMER CONNECTION BOX LOW VOLTAGE CONNECTIONS

NOTE: ALL WIRES ON THIS  
PAGE ARE 600V RATED

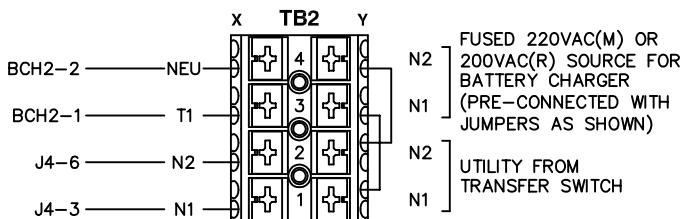
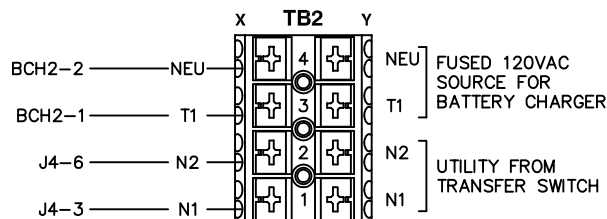
60HZ/50HZ



## COMPONENTS LOCATED IN CUSTOMER CONNECTION BOX HIGH VOLTAGE CONNECTIONS

60HZ UNITS

50HZ (M-VOLTAGE, 110/220VAC & R-VOLTAGE, 231/400VAC)

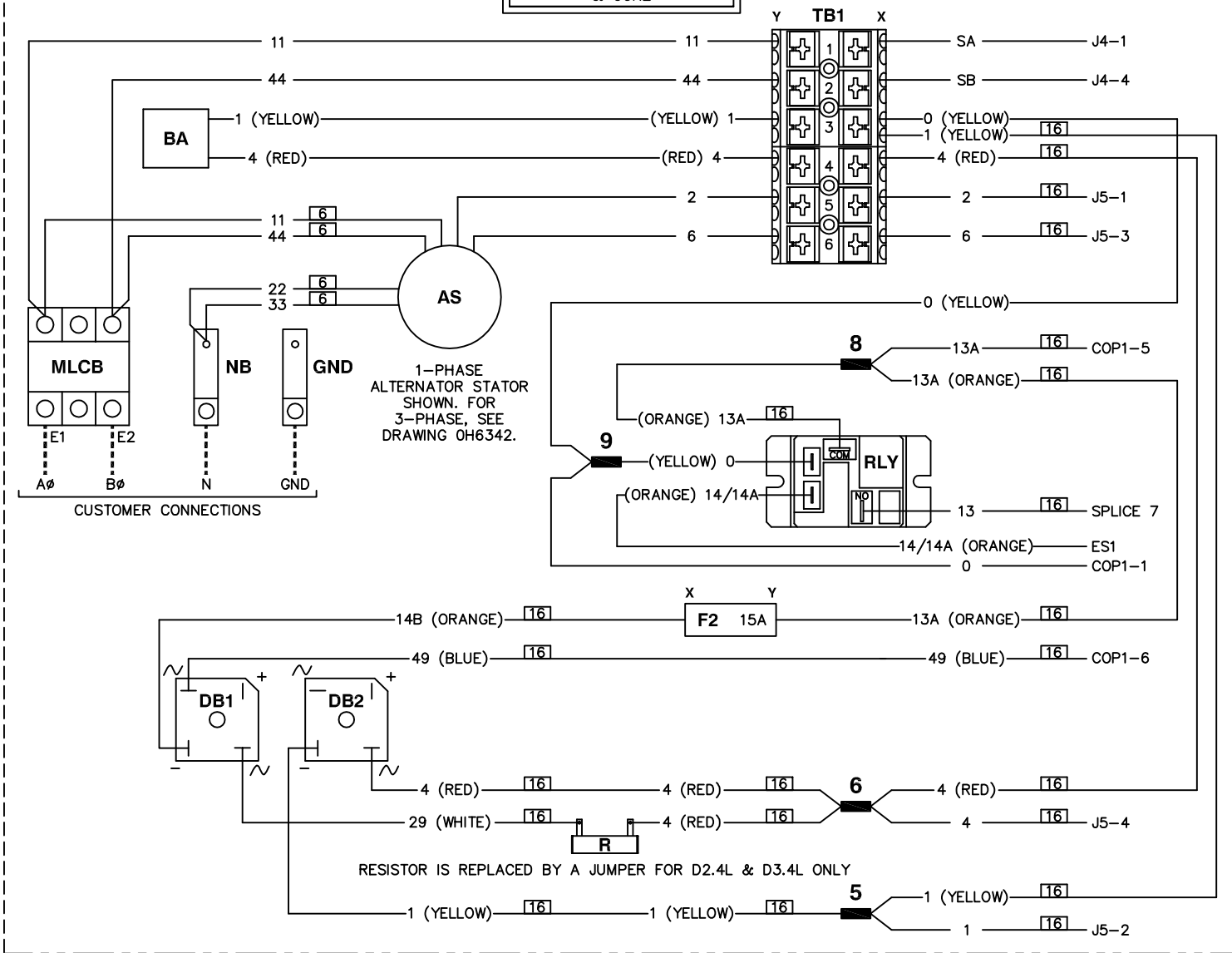


NOTE:  
FOR FIELD WIRING TO CUSTOMER CONNECTIONS  
(TERMINAL BLOCKS)  
MAXIMUM WIRE SIZE: #12 AWG

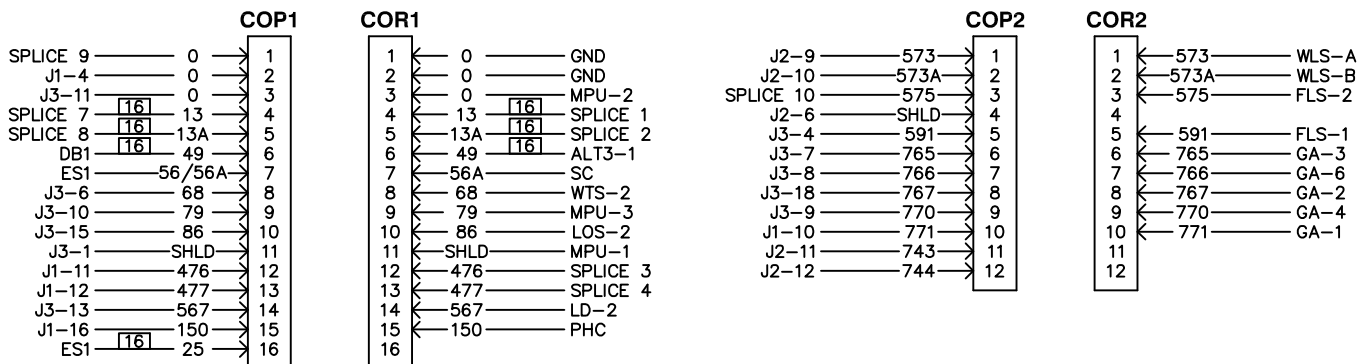
240VAC MAX

COMPONENTS LOCATED IN CUSTOMER CONNECTION BOX  
HIGH VOLTAGE CONNECTIONS

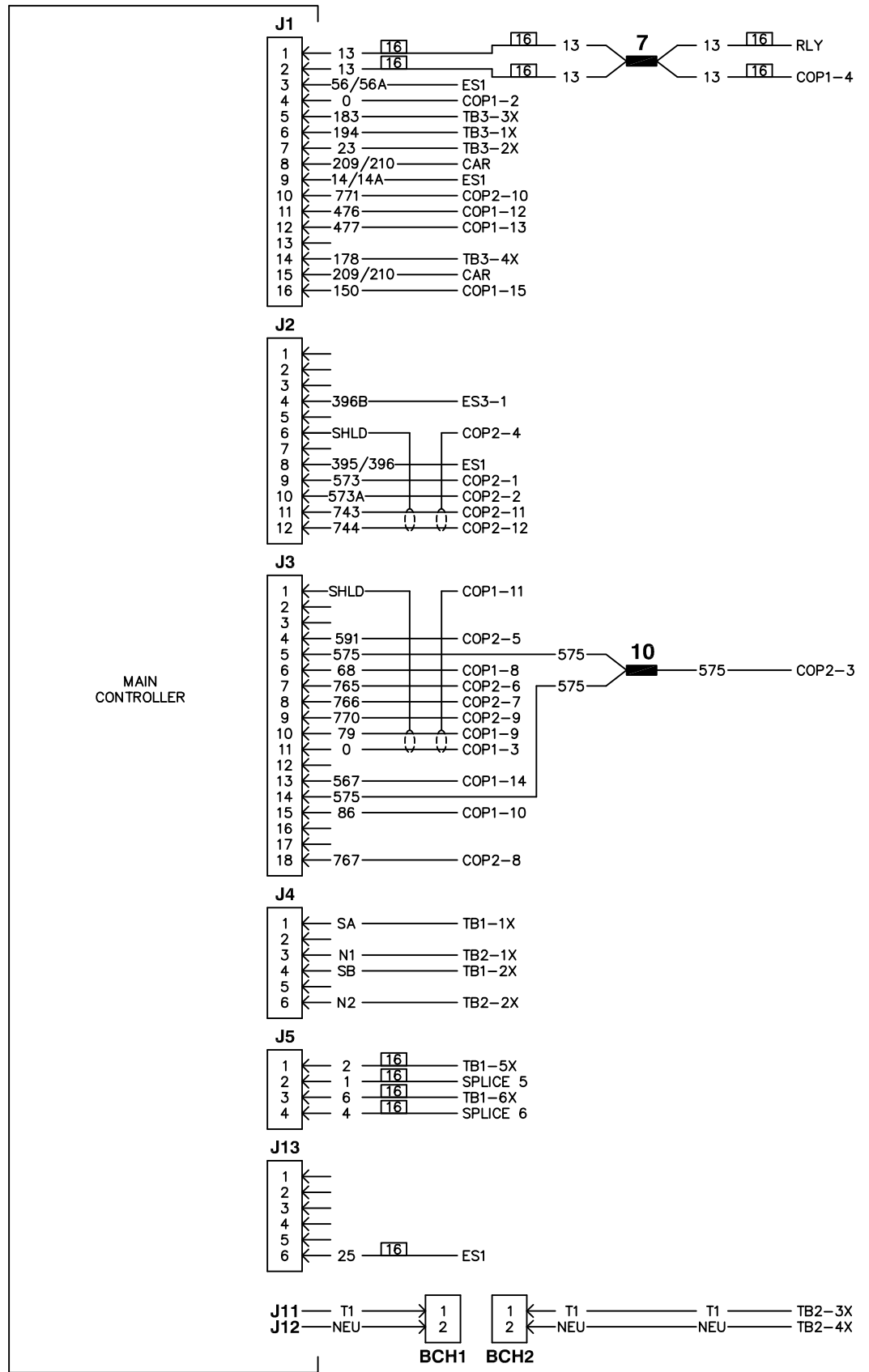
NOTE: ALL WIRES ON THIS PAGE ARE 600V RATED EXCEPT FOR THOSE AT COR1 & COR2



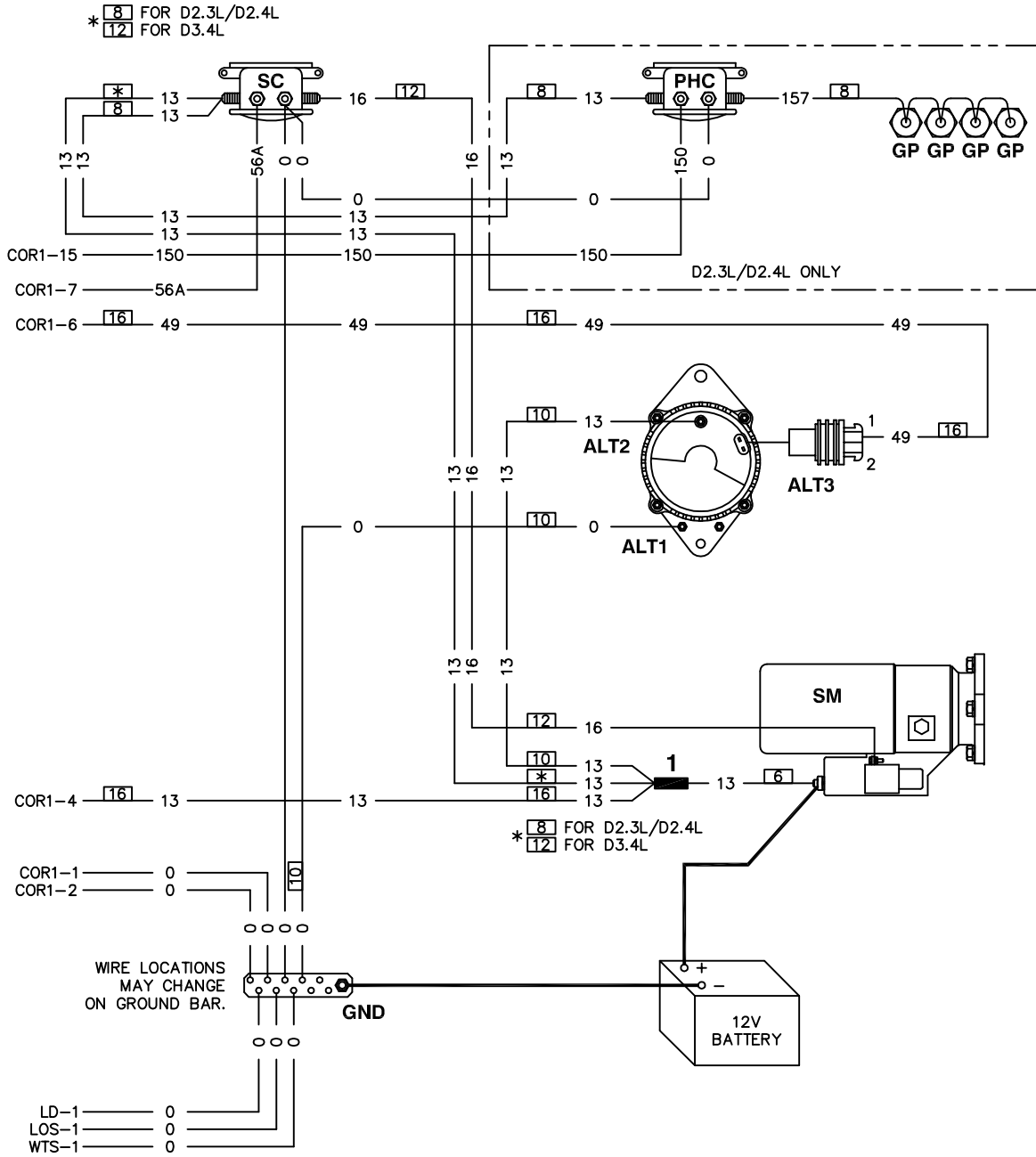
COMPONENTS LOCATED IN CUSTOMER CONNECTION BOX & ON ENGINE  
BULKHEAD CROSSOVER CONNECTIONS



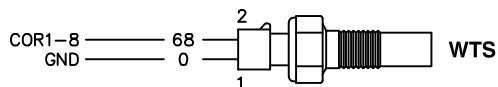
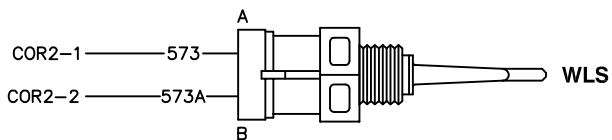
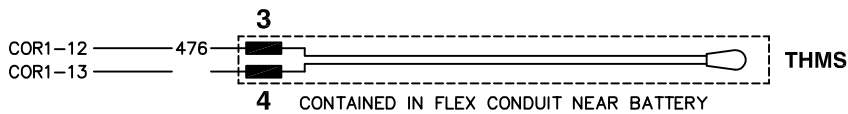
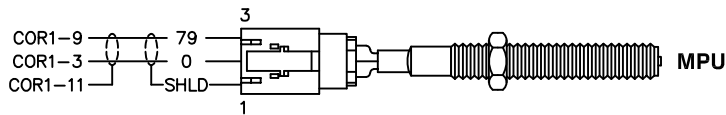
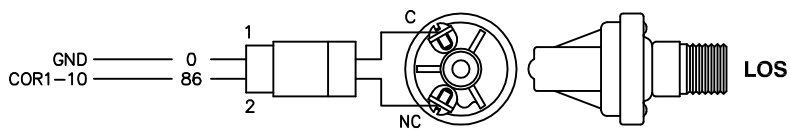
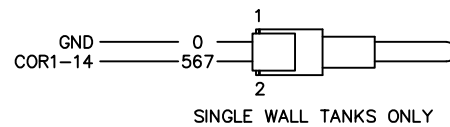
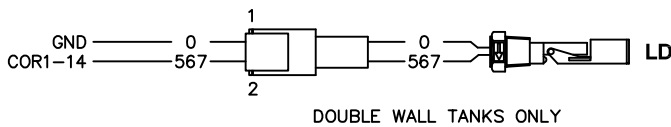
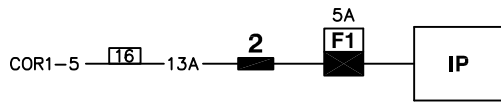
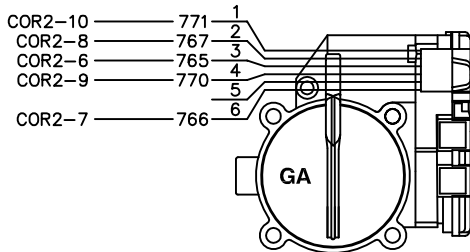
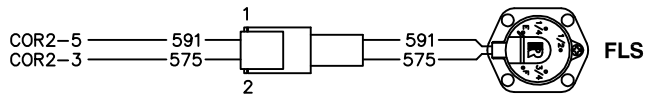
COMPONENTS LOCATED IN CONTROL PANEL



## COMPONENTS LOCATED ON ENGINE



## COMPONENTS LOCATED ON ENGINE



PAGE LEFT INTENTIONALLY BLANK