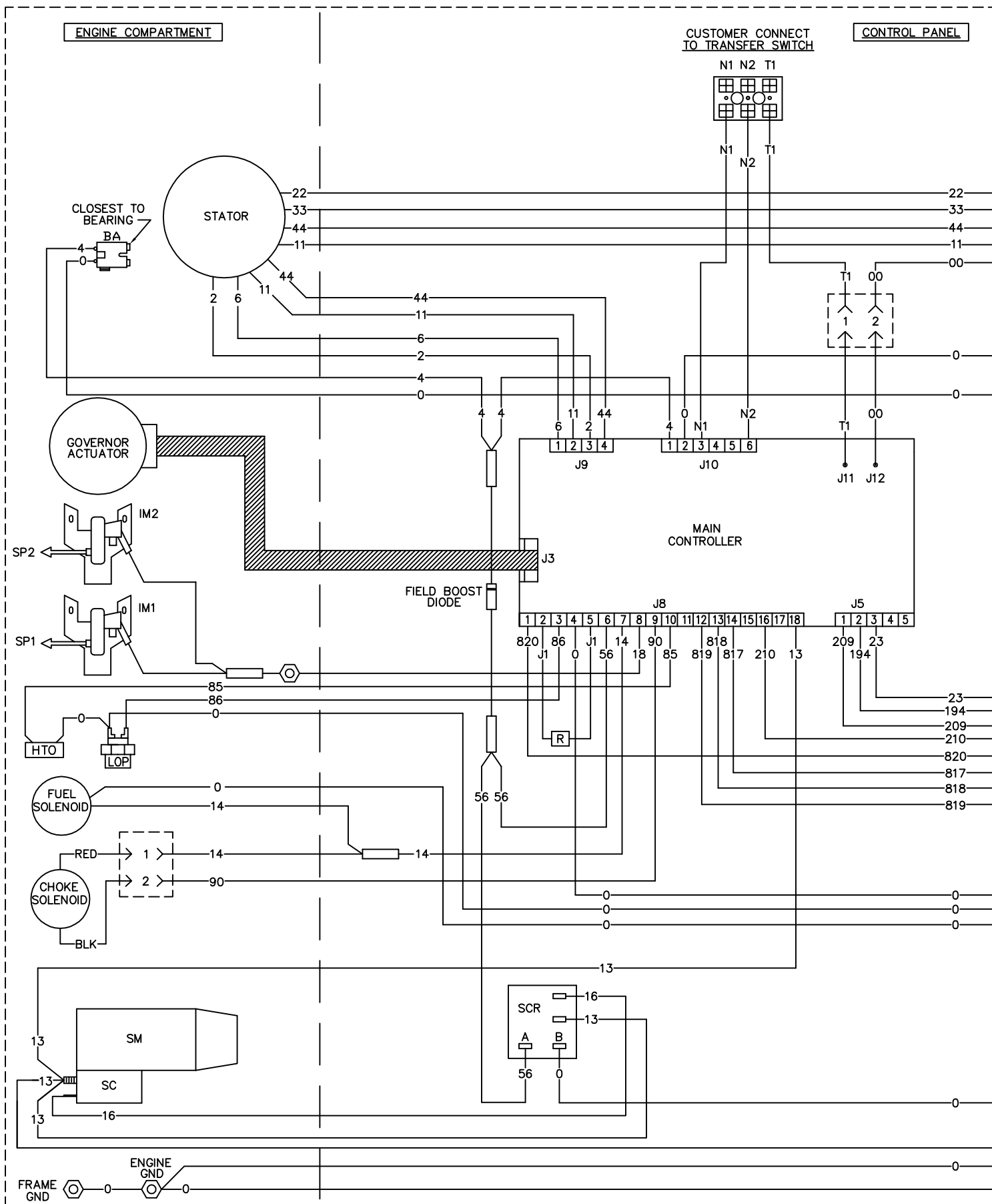


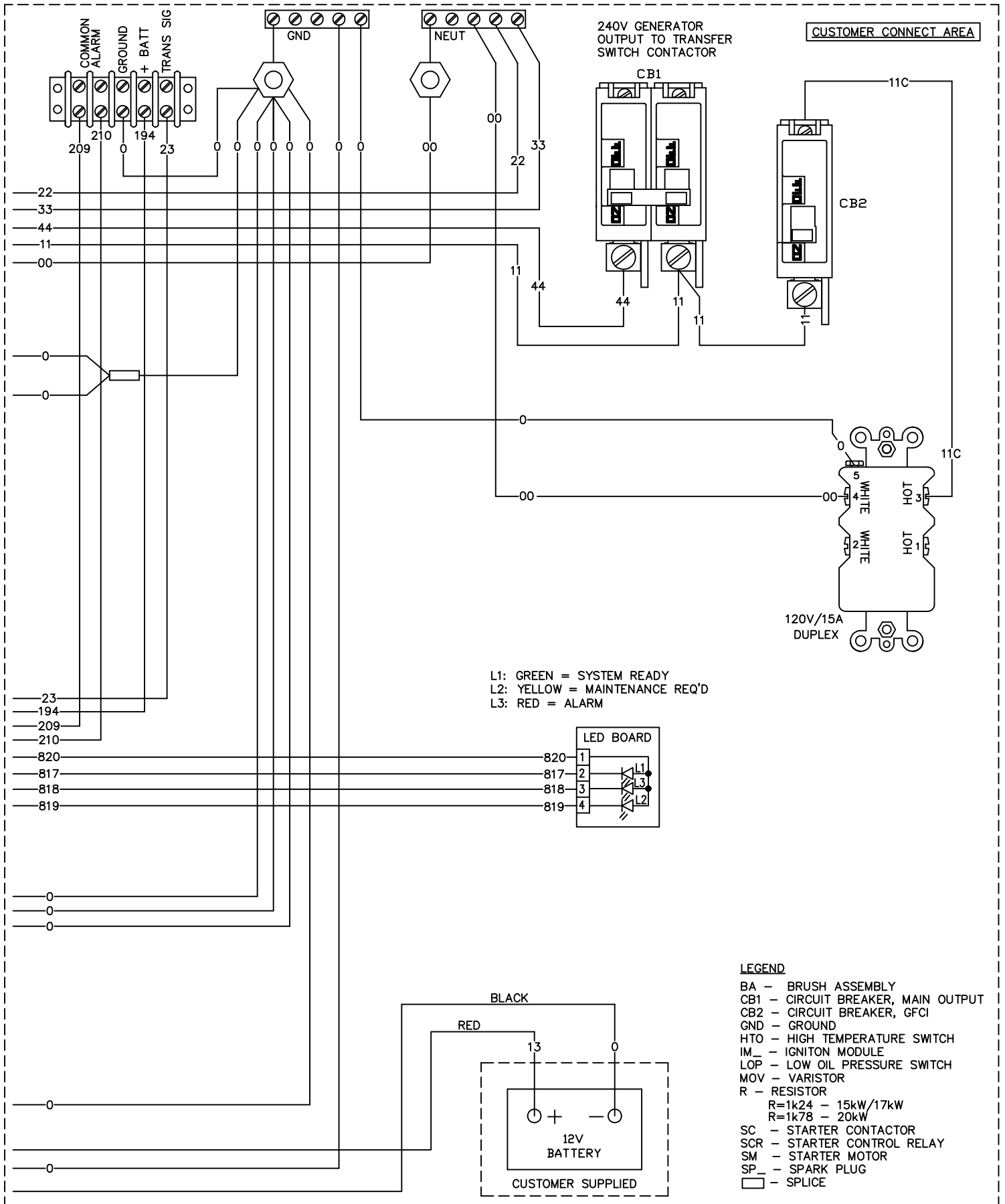
GROUP G



REVISION: -A-
DATE: 11/23/10

WIRING - DIAGRAM
2011 AIR COOLED V-T HSB AUX
DRAWING #: 0J3001

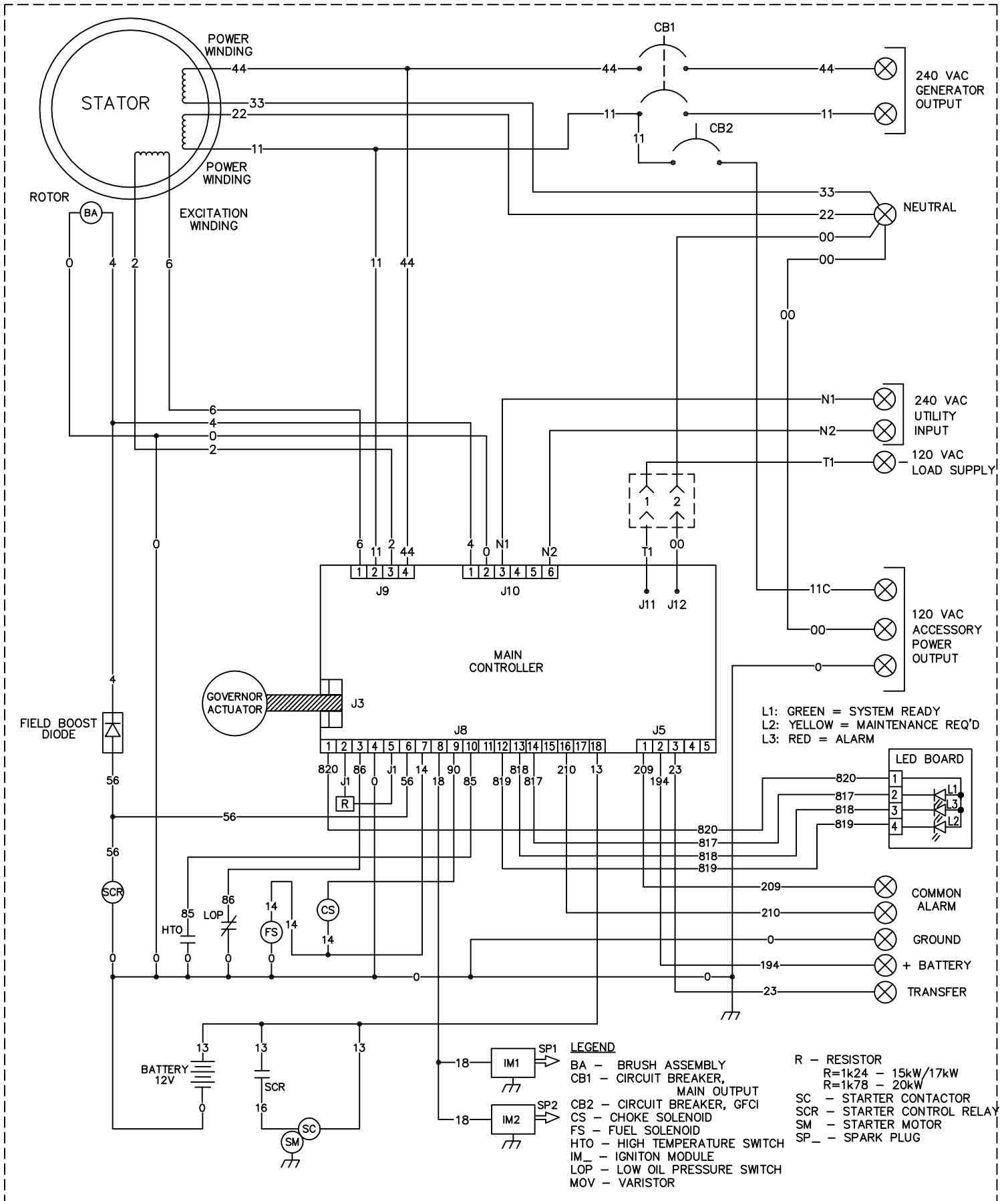
GROUP G



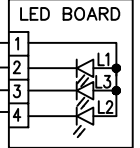
REVISION: -A-
DATE: 11/23/10

WIRING - DIAGRAM
2011 AIR COOLED V-T HSB AUX
DRAWING #: 0J3001

GROUP G



L1: GREEN = SYSTEM READY
 L2: YELLOW = MAINTENANCE REQ'D
 L3: RED = ALARM



- LEGEND**
- BA - BRUSH ASSEMBLY
 - CB1 - CIRCUIT BREAKER, MAIN OUTPUT
 - CB2 - CIRCUIT BREAKER, GFCI
 - CS - CHOKE SOLENOID
 - FS - FUEL SOLENOID
 - HTO - HIGH TEMPERATURE SWITCH
 - IM_ - IGNITION MODULE
 - LOP - LOW OIL PRESSURE SWITCH
 - MOV - VARISTOR
 - R - RESISTOR
 R=1k24 - 15kW/17kW
 R=1k78 - 20kW
 - SC - STARTER CONTACTOR
 - SCR - STARTER CONTROL RELAY
 - SM - STARTER MOTOR
 - SP_ - SPARK PLUG

REVISION: -A-
 DATE: 11/23/10

SCHMATIC - DIAGRAM
 2011 AIR COOLED V-T HSB AUX
 DRAWING #: 0J3001