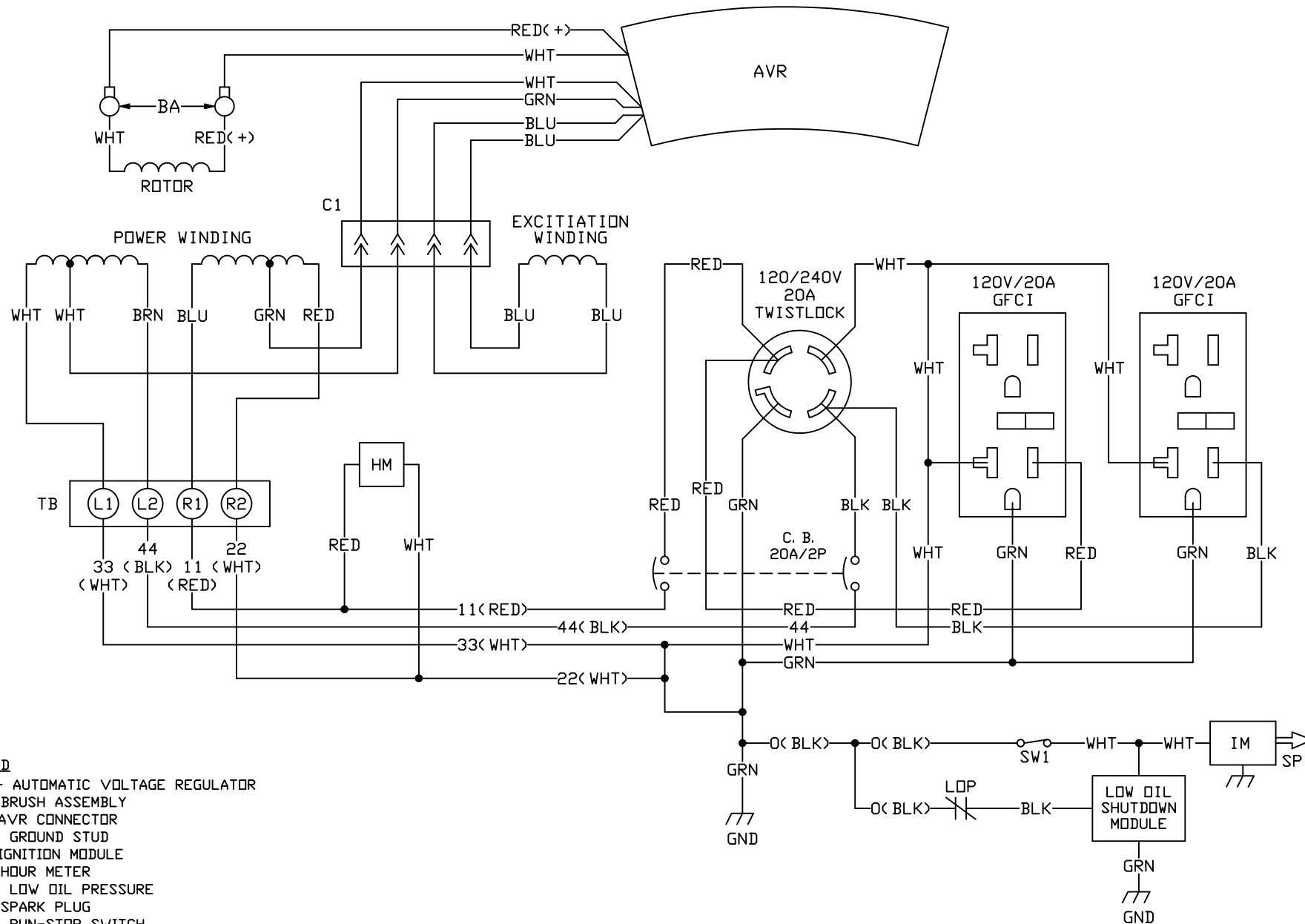


- LEGEND**
- AVR - AUTOMATIC VOLTAGE REGULATOR
 - BA - BRUSH ASSEMBLY
 - C1 - AVR CONNECTOR
 - GND - GROUND STUD
 - IM - IGNITION MODULE
 - HM - HOUR METER
 - LOP - LOW OIL PRESSURE
 - SP - SPARK PLUG
 - SW1 - RUN-STOP SWITCH
 - TB - ALTERNATOR TERMINAL BLOCK



- LEGEND**
- AVR - AUTOMATIC VOLTAGE REGULATOR
 - BA - BRUSH ASSEMBLY
 - C1 - AVR CONNECTOR
 - GND - GROUND STUD
 - IM - IGNITION MODULE
 - HM - HOUR METER
 - LOP - LOW OIL PRESSURE
 - SP - SPARK PLUG
 - SW1 - RUN-STOP SWITCH
 - TB - ALTERNATOR TERMINAL BLOCK