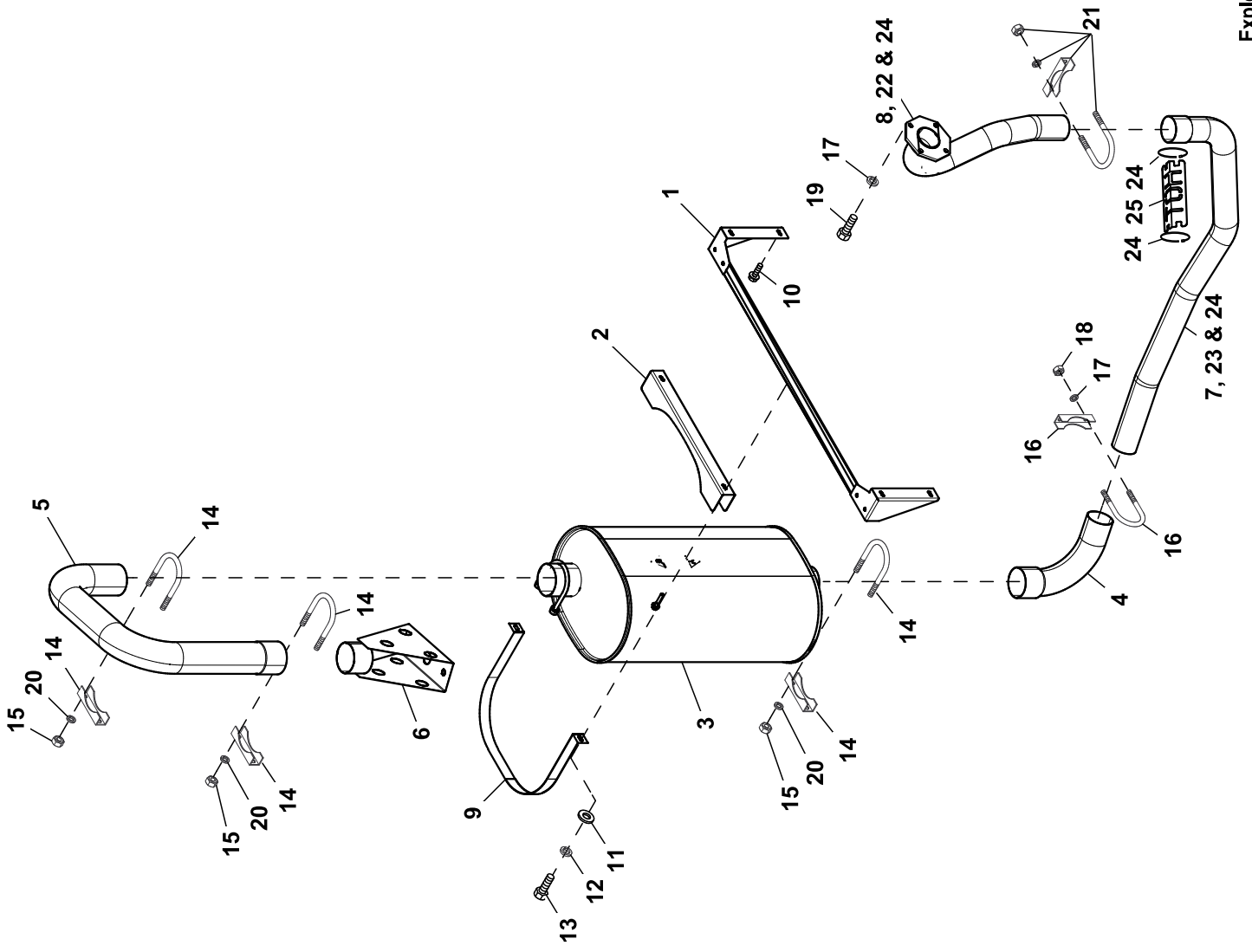


GROUP F



EXPLODED VIEW: EV MUFFLER EXH 2.4L G2 TURBO**DRAWING #: 0H3357****GROUP F**

| ITEM | PART# | QTY. | DESCRIPTION |
|-------------|--------------|-------------|---|
| (1)1 | 0G86870ST03 | 1 | BRACKET MUFFLER |
| 2 | 0G8686 | 1 | BRACKET STIFFENER |
| 3 | 0K7782 | 1 | MFLR 8.5"X11.5"X19" 2.5"IN/OUT |
| 4 | 0G0113 | 1 | EXHAUST ELBOW |
| 5 | 0F2808D | 1 | EXHAUST PIPE |
| 6 | 0G0007 | 1 | DIFFUSER EXHAUST WELDMENT |
| 7 | 0H3371 | 1 | PIPE EXHAUST 2.4L 60KW |
| 8 | 0H3372 | 1 | UPPER EXHAUST PIPE ASM |
| 9 | 0G8685 | 1 | STRAP MUFFLER |
| 10 | 0C2454 | 4 | SCREW THF M6-1 X 16 N WA Z/JS |
| 11 | 022473 | 2 | WASHER FLAT 1/4-M6 ZINC |
| 12 | 022097 | 2 | WASHER LOCK M6-1/4 |
| 13 | 049721 | 2 | SCREW HHC M6-1.0 X 35 G8.8 BLK |
| 14 | 080762 | 3 | BOLT U 3/8-16 X 2.62 |
| 15 | 022241 | 6 | NUT HEX 3/8-16 STEEL |
| 16 | 036797 | 1 | BOLT U 5/16-18 X 2.25 |
| 17 | 070006 | 6 | WASHER LOCK M8 SS |
| 18 | 022259 | 2 | NUT HEX 5/16-18 STEEL |
| 19 | 0A6928 | 4 | SCREW HHC M8-1.25 X 20 SS |
| 20 | 022237 | 6 | WASHER LOCK 3/8 |
| 21 | 0H1310 | 1 | BOLT U 3/8-16 X 2.30 W/SADDLE |
| (2)22 | 0F3794 | 1 | EXHAUST BLANKET 600MM LONG (NOT SHOWN) |
| (2)23 | 0G3770 | 1 | EXHAUST BLANKET 737MM (NOT SHOWN) |
| 24 | 0K1526 | 5 | TIE WRAP, 14.3" STAINLESS STL (NOT SHOWN) |
| 25 | 0D3701A | 1 | PLATE HOT 50 X 110 |

NOTES (UNLESS OTHERWISE SPECIFIED):

(1) SHEET METAL PARTS LISTED IN THE BOM TABLE ARE REPRESENTING GENERIC PARTS (NO COLOR)

- MANUFACTURING: FOR CORRECT MATERIAL AND COLOR REFER TO XA BOM.
- CUSTOMER: WHEN ORDERING REPLACEMENT PARTS ENTER BASE NUMBER (FIRST 6 DIGITS ONLY) IN THE SYSTEM FOR CORRECT MATERIAL AND COLOR (FOR REFERENCE SEE GUIDELINE 0H7169).

(2) TWO TIE WRAPS ARE INCLUDED WITH EACH EXHAUST BLANKET, ONE AT EACH END.