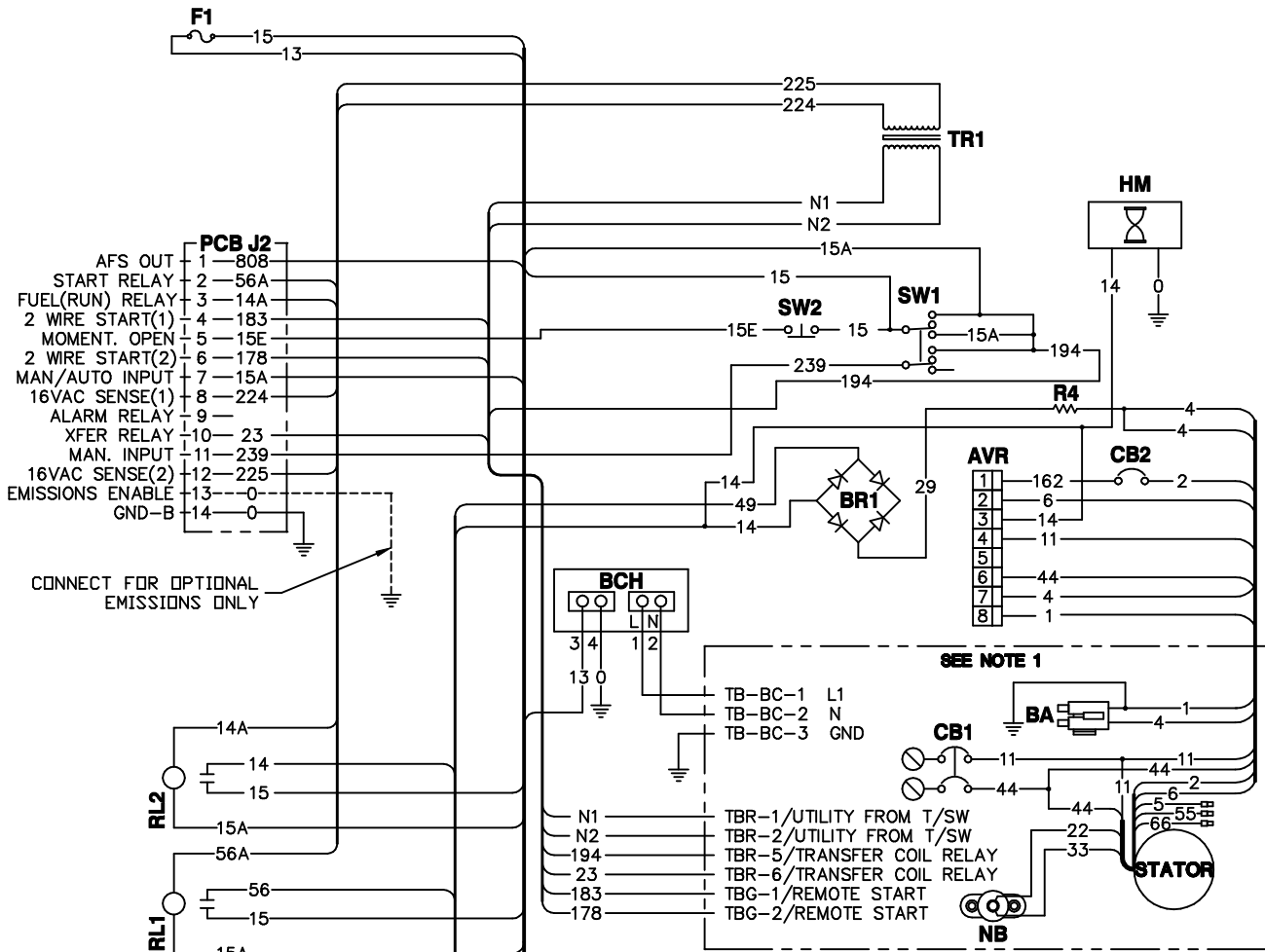


CONTROL PANEL LEGEND:

- AVR - AUTOMATIC VOLTAGE REGULATOR
- BCH - BATTERY CHARGER
- BR1 - DIODE (FIELD BOOST)
- CB2 - CIRCUIT BREAKER (EXCITATION)
- F1 - FUSE BAT POWER (15A ATO TYPE)
- HM - HOUR METER
- J2 - CONNECTOR 2 (ON PCB)
- R4 - FIELD BOOST RESISTOR 15 OHM
- RL1 - RELAY 1 (START RELAY)
- RL2 - RELAY 2 (ENGINE RUN)
- SW1 - AUTO/OFF/MANUAL SWITCH
- SW2 - SET EXERCISER SWITCH
- TR1 - TRANSFORMER (6VA UTIL/16 VAC)



NOTE 1: WIRING SHOWN FOR CB1, NB, BA AND STATOR IS TYPICAL FOR SINGLE PHASE. FOR 3-PHASE, SEE DWG #0F6B39.

CUSTOMER CONNECTION & ALTERNATOR LEGEND:
 BA - BRUSH ASSEMBLY (GENERATOR)
 CB1 - MAINLINE CIRCUIT BREAKER
 NB - NEUTRAL BLOCK
 TB-BC - BATTERY CHARGER TERMINAL BLOCK
 TBG - GTS CONNECT TERMINAL BLOCK
 TBR - RTS CONNECT TERMINAL BLOCK

ENGINE WIRING LEGEND	
AFS	- AIR/FUEL SOLENOID
ALT	- D.C. CHARGE ALTERNATOR
BAT	- 12VDC BATTERY
CYL	- IGNITION COIL
DEG	- DRIVER ELEC. GOVERNOR
F2	- FUSE ALT (25A ATO TYPE)
FS	- FUEL SOLENOID
FS2	- AUX. FUEL SOLENOID
GOV	- ELEC. GOVERNOR ACTUATOR
J1	- CONNECTOR 1 (ON PCB)
LFP	- LOW FUEL PRESSURE SWITCH
LOS	- LOW OIL PRESSURE SWITCH
MP	- MAGNETIC PICKUP
OS	- OXYGEN SENSOR
SC	- STARTER CONTACTOR
SM	- STARTER MOTOR
SP	- SPARK PLUG
WLS	- COOLANT LEVEL SWITCH
WTS	- COOLANT TEMP SENDER

