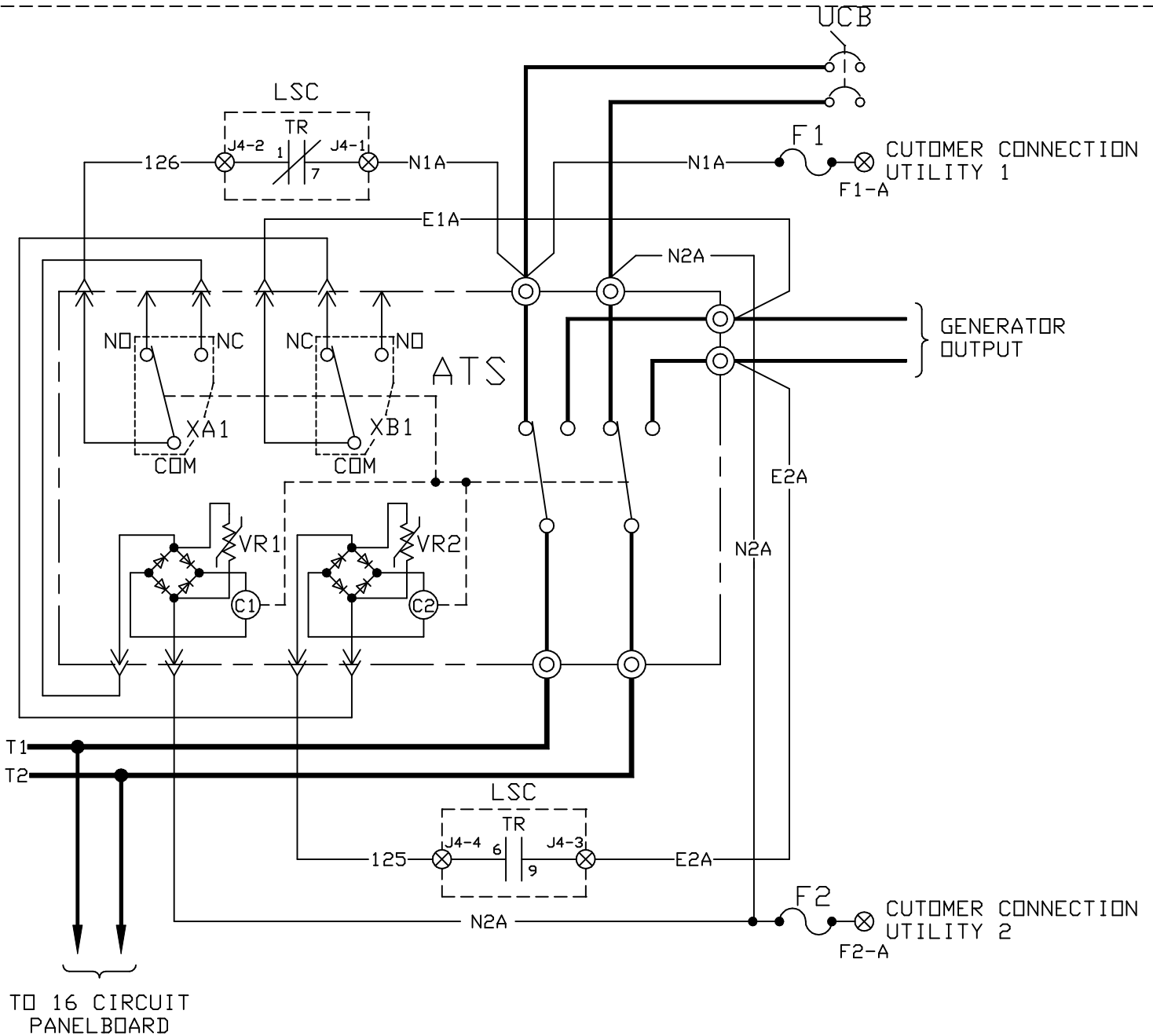


SCHMATIC - DIAGRAM

LOAD SHED SWITCH

DRAWING #: 0G7816



TO 16 CIRCUIT
PANELBOARD

LEGEND

ATS	TRANSFER SWITCH CONTACTOR
BC	BATTERY CHARGER
C1	SOLENOID COIL (UTILITY CLOSING)
C2	SOLENOID COIL (STANDBY CLOSING)
C1A	SOLENOID COIL (LSS-OFF)
C2A	SOLENOID COIL (LSS-ON)
F1, F2	FUSE, 5A
LS	RELAY, LOAD SHED
LSC	LOAD SHED CONTROLLER
LSS	LOAD SHED TRANSFER SWITCH CONTACTOR
NB	NB - NEUTRAL BLOCK
TR	RELAY, TRANSFER
UCB	UTILITY CIRCUIT BREAKER
VR1, VR2	VARISTOR
XA1, XB1	LIMIT SWITCHES, ACTUATOR

SCHMATIC - DIAGRAM

LOAD SHED SWITCH

DRAWING #: 0G7816