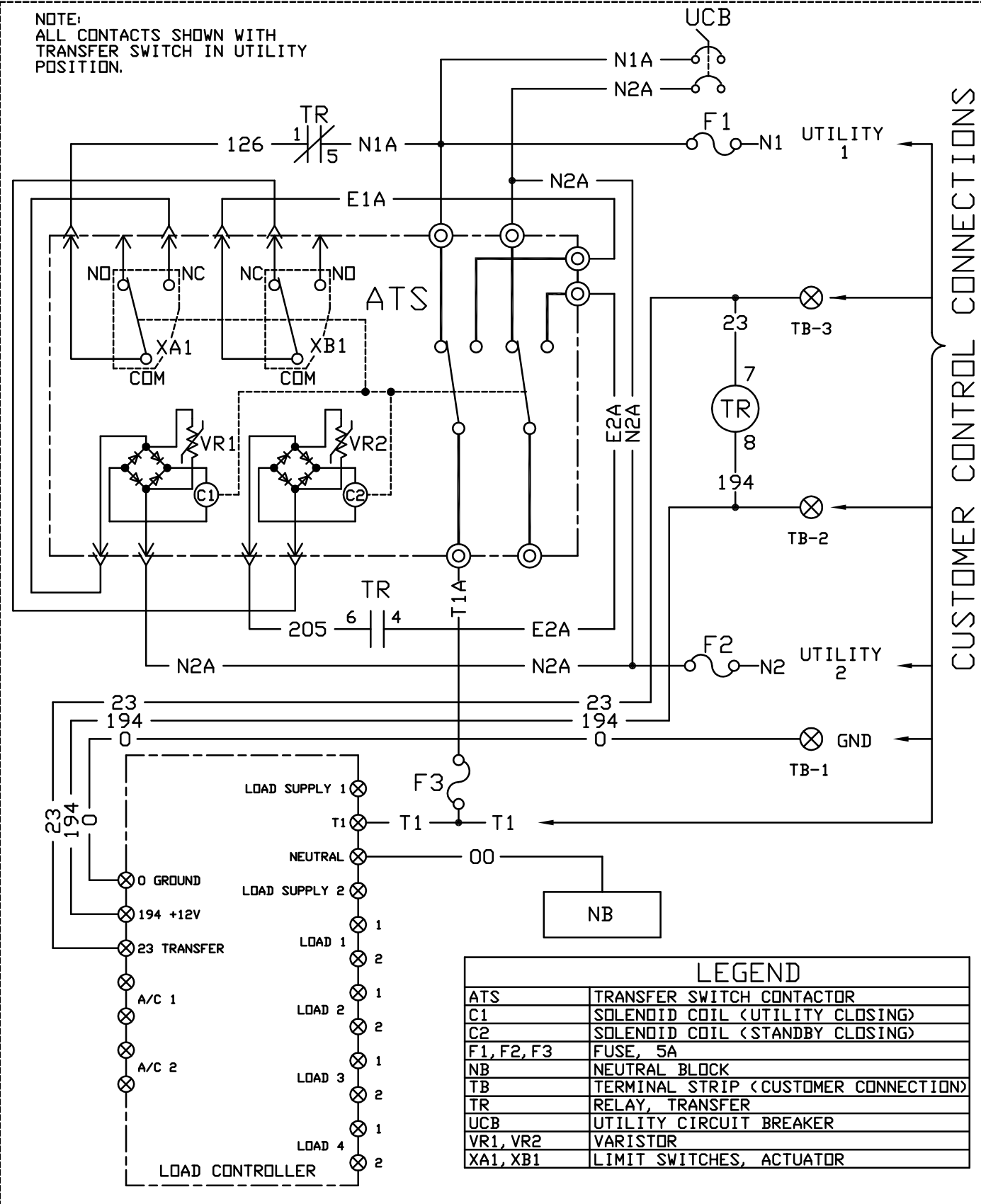
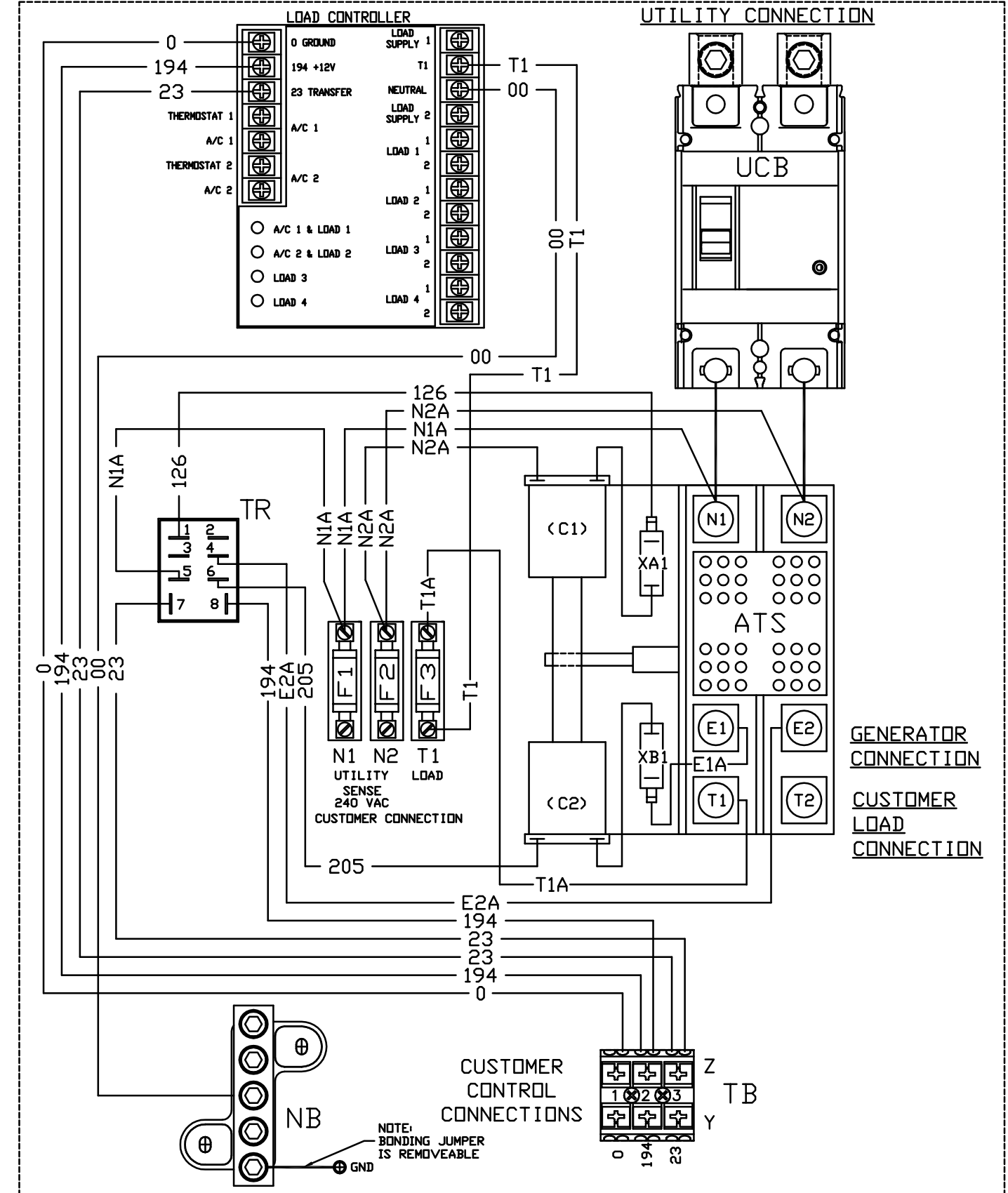


SCHMATIC - DIAGRAM

NOTE:
ALL CONTACTS SHOWN WITH
TRANSFER SWITCH IN UTILITY
POSITION.



WIRING - DIAGRAM



-A-	RELEASED FOR PRODUCTION
2/28/12	J-4251-B CHANGE RELAY TERMINAL NUMBERS TO MATCH DISC RELAY
4/22/13	J-5049-C CHANGE RELAY TERMINAL NUMBERS TO MATCH DISC RELAY

EST. VT. FINL. VT.		DRAWING TITLE SD/WD 100/200A XFER SW RTSY 2013		GENGRAC POWER SYSTEMS Waukesha P.O. BOX 8 WAUKESHA, WIS. 53187	
DO NOT SCALE UNLESS OTHERWISE SPECIFIED		MATERIAL N/A		FILE NAME OK0135-C.DWG	
SVN MJB	DATE 9/20/12	APPD N/A	DATE N/A	SCALE 1 = 1	REV RTS 2013
CHKD JJJ	DATE 10/9/12	APPD GDW	DATE 10/18/12	0K0135	
RELEASED FOR PRODUCTION			DATE 10/18/12	C	