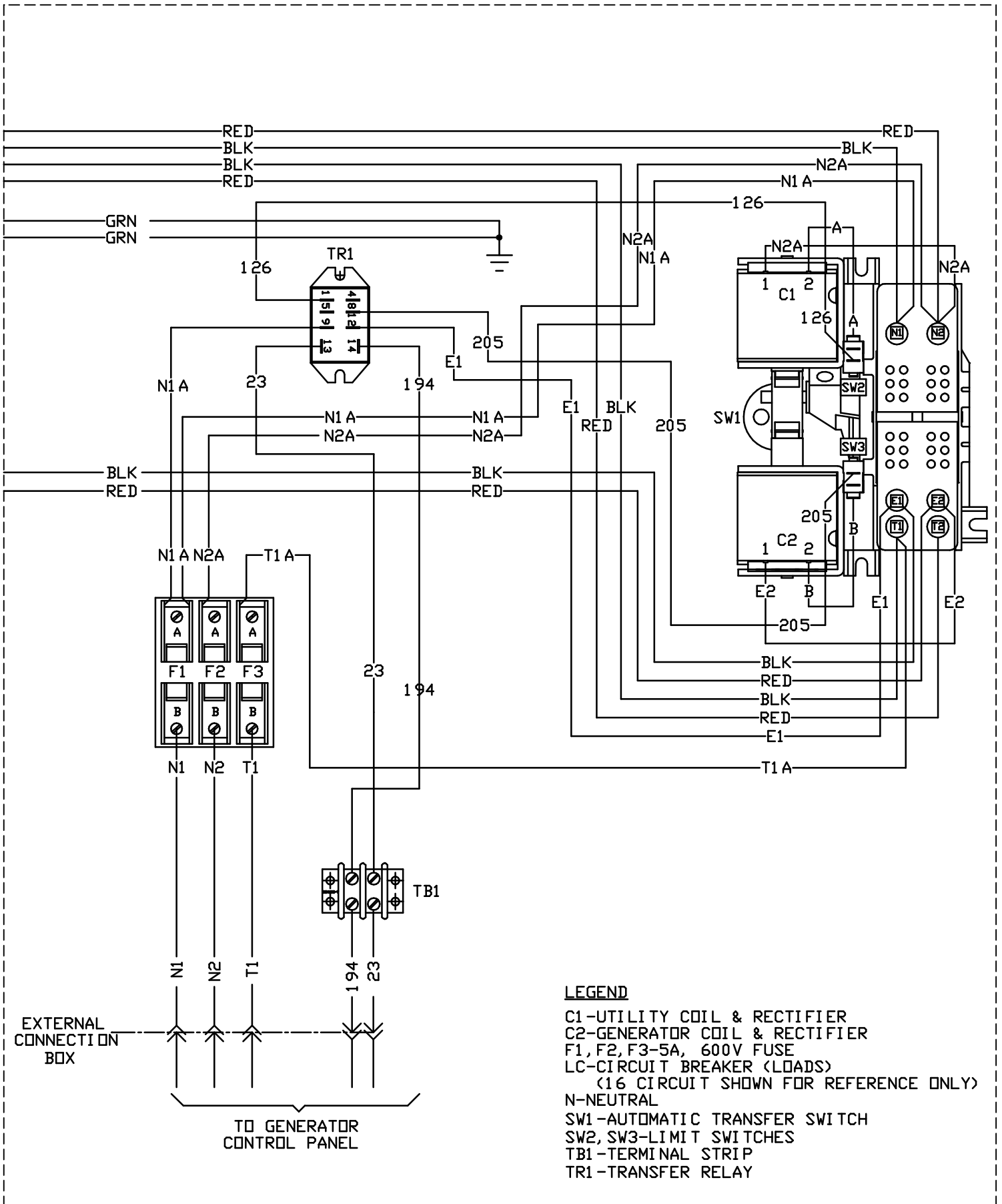


GROUP G



- LEGEND**
- C1-UTILITY COIL & RECTIFIER
 - C2-GENERATOR COIL & RECTIFIER
 - F1, F2, F3-5A, 600V FUSE
 - LC-CIRCUIT BREAKER (LOADS)
(16 CIRCUIT SHOWN FOR REFERENCE ONLY)
 - N-NEUTRAL
 - SW1-AUTOMATIC TRANSFER SWITCH
 - SW2, SW3-LIMIT SWITCHES
 - TB1-TERMINAL STRIP
 - TR1-TRANSFER RELAY

REVISION: "A"
DATE: 01/21/13

WIRING - DIAGRAM
HSB TRANSFER SWITCH 100A
DRAWING #: 0H6453