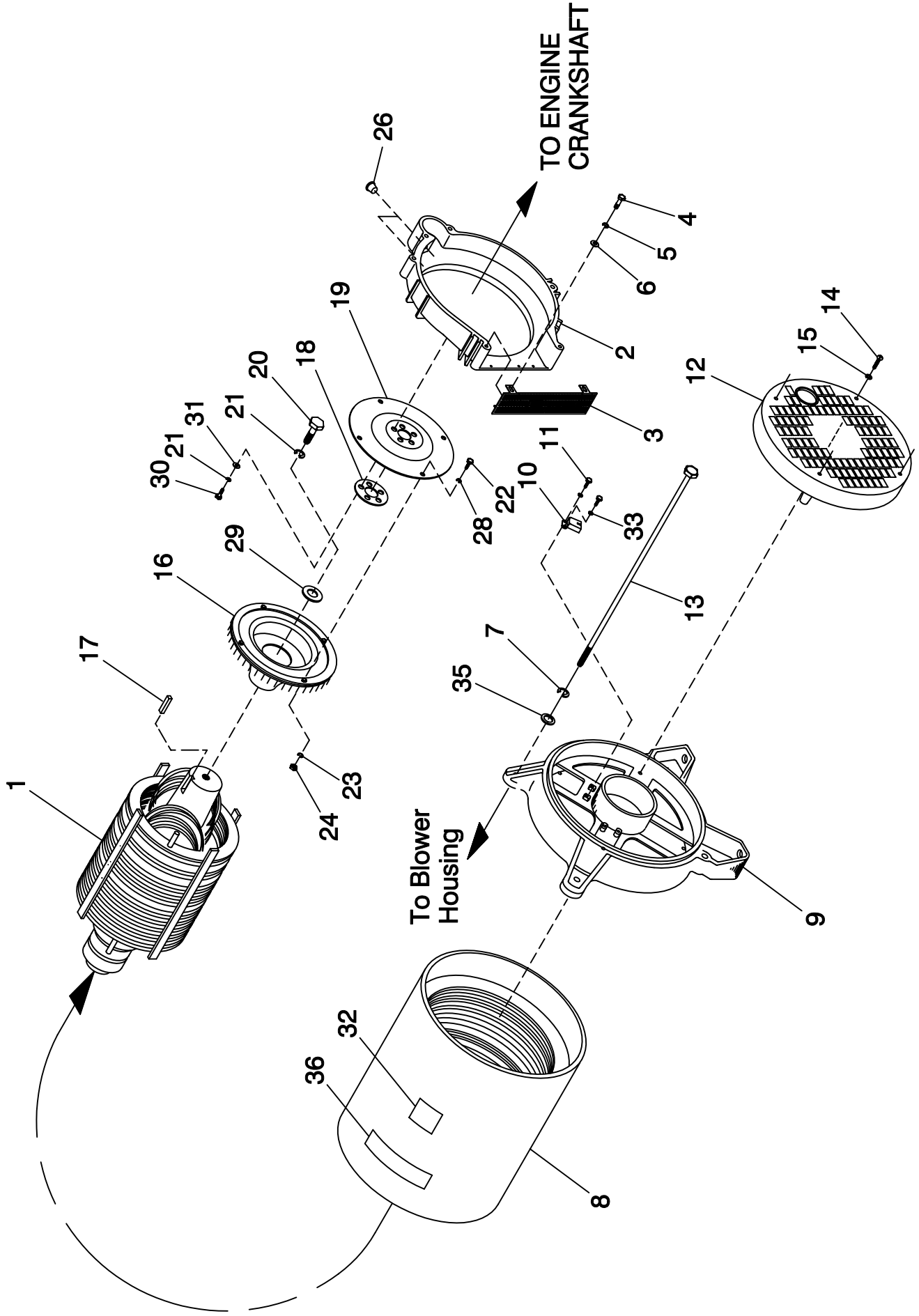


GROUP A



EXPLODED VIEW:
GENERATOR
DRAWING #: 0F8222

EXPLODED VIEW: GENERATOR

DRAWING #: 0F8222

GROUP A

APPLICABLE TO:

ITEM	PART #	QTY.	DESCRIPTION
1	098675	1	ASSY ROTOR 20KW
2	0A5336A	1	HOUSING BLOWER
3	0A1659	1	SCREEN AIR OUTLET
4	020746	4	SCREW PPHM M5-0.8 X 8 ZINC
5	049226	4	WASHER LOCK M5
6	051713	4	WASHER FLAT M5
7	022129	4	WASHER LOCK M8-5/16
8	0F8218	1	ASSY STATOR 20KW 1PH A
	0F8220	1	ASSY STATOR 20KW 3PH GJK
9	0A5382	1	BEARING CARRIER REAR
10	075591	1	ASSY HOLDER BRUSH
11	075476	4	SCREW PPHM M4-0.7 X 16
12	0A5601A	1	COVER REAR BEARING
13	075554B	4	BOLT STATOR X 16" LG
14	0A9375	4	SCREW RHM #10-24 X 2
15	022152	4	WASHER LOCK #10
16	097146	1	FAN & RING GEAR ASSEM.
17	042558	1	KEY SQ 3/8 X 1 STEEL
18	0A5061	1	SPACER-FLEX PLATE
19	0A4989	1	PLATE FLEX
20	053607	1	SCREW HHC M12-1.75 X 35 G8.8
21	051769	6	WASHER LOCK M12
22	049541	4	SCREW HHC M10-1.5 X 35 G8.8
23	046526	4	WASHER LOCK M10
24	045772	4	NUT HEX M10-1.5 G8 YEL CHR
26*	087599	2	PLUG PLASTIC 3/8 NPT
27	077043E	1	FLEX CONDUIT 1" BLACK (NOT SHOWN)
28	022131	4	WASHER FLAT 3/8-M10 ZINC
29	072578	1	SPACER ROTOR SHAFT
30	0A7043	5	SCREW HHC M12-1.25 X 25 G8.8
31	049808	5	WASHER FLAT M12
32	058589	1	DECAL WARN ENG START
33	023365	4	WASHER SHAKEPROOF INT #8
35	0A8830	4	WASHER FLAT .34 ID X .75 OD
36	072080	1	DECAL DANGER STANBY UNITS