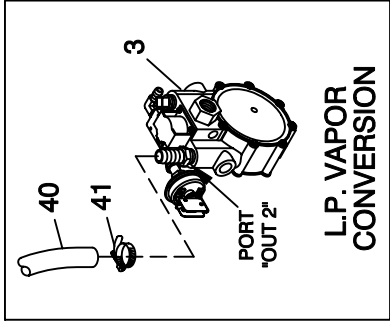
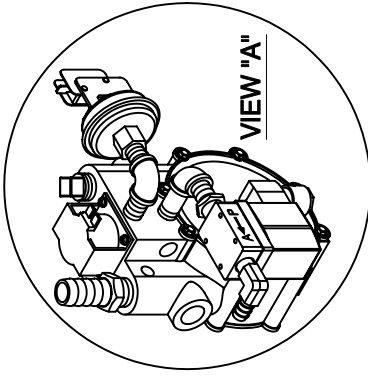
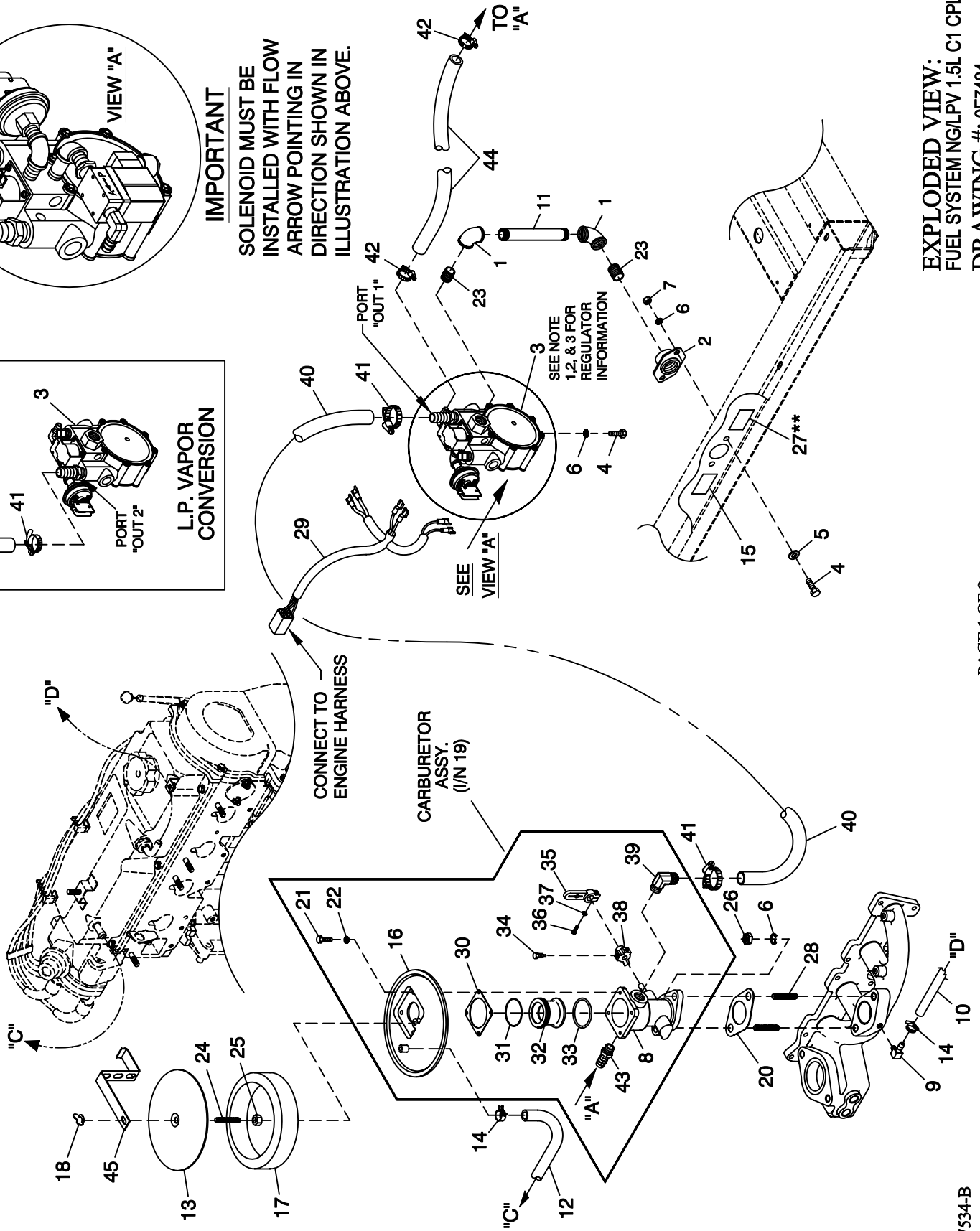


GROUP E



IMPORTANT
SOLENOID MUST BE
INSTALLED WITH FLOW
ARROW POINTING IN
DIRECTION SHOWN IN
ILLUSTRATION ABOVE.



EXPLODED VIEW:
FUEL SYSTEM NGL/PV 1.5L C1 CPL
DRAWING #: 0F7494

EXPLODED VIEW: FUEL SYSTEM NG/LPV 1.5L C1 CPL
 DRAWING #: 0F7494

GROUP E

APPLICABLE TO: 1.5L

ITEM	PART #	QTY.	DESCRIPTION
1	026812	2	ELBOW 90D 3/4 NPT
2	075580	1	FLANGE FUEL INLET
3	0F6364A	1	FUEL RGLTR 1.5L REWORK
4	039253	4	SCREW HHC M8-1.25 X 20 G8.8
5	022145	2	WASHER FLAT 5/16 ZINC
6	022129	6	WASHER LOCK M8-5/16
7	045771	2	NUT HEX M8-1.25 G8 YEL CHR
8*	0F1570	1	BODY CARBURETOR ASSEMBLY
9	032552	1	BARBED EL 90 5/16 X 1/8 NPT
10	029032	1	HOSE 9/32 ID
11	025424	1	NIPPLE PIPE 3/4 NPT X 6
12	0F0397	1	HOSE CRANKCASE BREATHER
13	0A5547	1	COVER AIR CLEANER
14	048031C	4	CLAMP HOSE BAND 1/4
15	0D1509	1	DECAL INLET PRESSURE
16*	0E0591	1	ADAPTER CARB. TO AIR CLNR
17	059402	1	FILTER ELEMENT
18	037561	1	NUT WING 1/4-20 NYLK
19	0E1028C	1	ASSY CARBURETOR 1.5L C1 CPL
20	059401	1	CARBURETOR GASKET
21*	091526	4	SCREW PPHM M5-0.8 X 12 ZNC
22*	049226	4	WASHER LOCK M5
23	026915	2	NIPPLE CLOSE 3/4 X 1.375
24	062522	1	STUD TH 1/4-20 X 3 G2 ZNC FULL
25	022127	1	NUT HEX 1/4-20 STEEL
26	022259	2	NUT HEX 5/16-18 STEEL
27**	050279	1	DECAL FUEL INLET NG
	050280	1	DECAL FUEL INLET LPG
28	0A6125	2	STUD 5/16-18 X 1.25 F THR
29	0F6155	1	HARNES FUEL JUMPER SINGLE REG
30*	0E1104	1	GASKET AIR CLEANER ADAPTER
31*	0E0668	1	O-RING 2-028 1.38 X 1.50 X .06
32*	0E0590	1	VENTURI 18MM
33*	0C5133	1	O-RING 29.82 X 2.62
34*	0E0665	1	SCREW THROTTLE PIN STOP
35*	0E1108	1	THROTTLE ARM REWORK
36*	033138	1	SCREW HHM #10-32 X 5/8
37*	022152	1	WASHER LOCK #10
38*	0E0645	1	LEVER THROTTLE STOP
39*	034339	1	BARBED EL 90 3/8 NPT X 5/8
40	059193D	1	HOSE 5/8 ID X 20.5" LG
41	057823	2	CLAMP HOSE #10 .56 - 1.06
42	040173	2	CLAMP HOSE #5.5 .62-.62
43*	089617	1	BARBED STR 1/4 NPT X 1/4 MALE
44	030340	1	HOSE 1/4 ID SAE 30R7
45	0A7040	1	BRACKET-RAD HOSE

* INCLUDED IN ITEM 19 (CARBURETOR ASSY)

NOTES:

1. REGULATOR (I/N 3) AS SHOWN IN ILLUSTRATION IS SET UP FOR NATURAL GAS APPLICATION.
2. TO CONFIGURE REGULATOR FOR LP VAPOR, SWITCH HOSE BARB, HOSE CLAMP (I/N 41) AND HOSE (I/N 40) FROM "OUT-1" TO "OUT-2". REPLACE PIPE PLUG FROM "OUT-2" TO "OUT-1". USE PIPE SEALANT ON HOSE BARB AND PIPE PLUG. MAKE SURE TO KEEP PORTS FREE FROM DEBRIS DURING RECONFIGURATION PROCESS.
- 3.** FOR LP VAPOR APPLICATION SUBSTITUTE LPG FUEL INLET DECAL P/N 050280 FOR NG FUEL INLET DECAL P/N 050279 (ITEM 27).
4. WHEN SWITCHING FUEL TYPES, THE PROPER DIP SWITCH SETTINGS MUST BE MADE TO THE CONTROL PANEL. SEE OWNERS MANUAL, FUEL SECTION FOR MORE DETAILS.