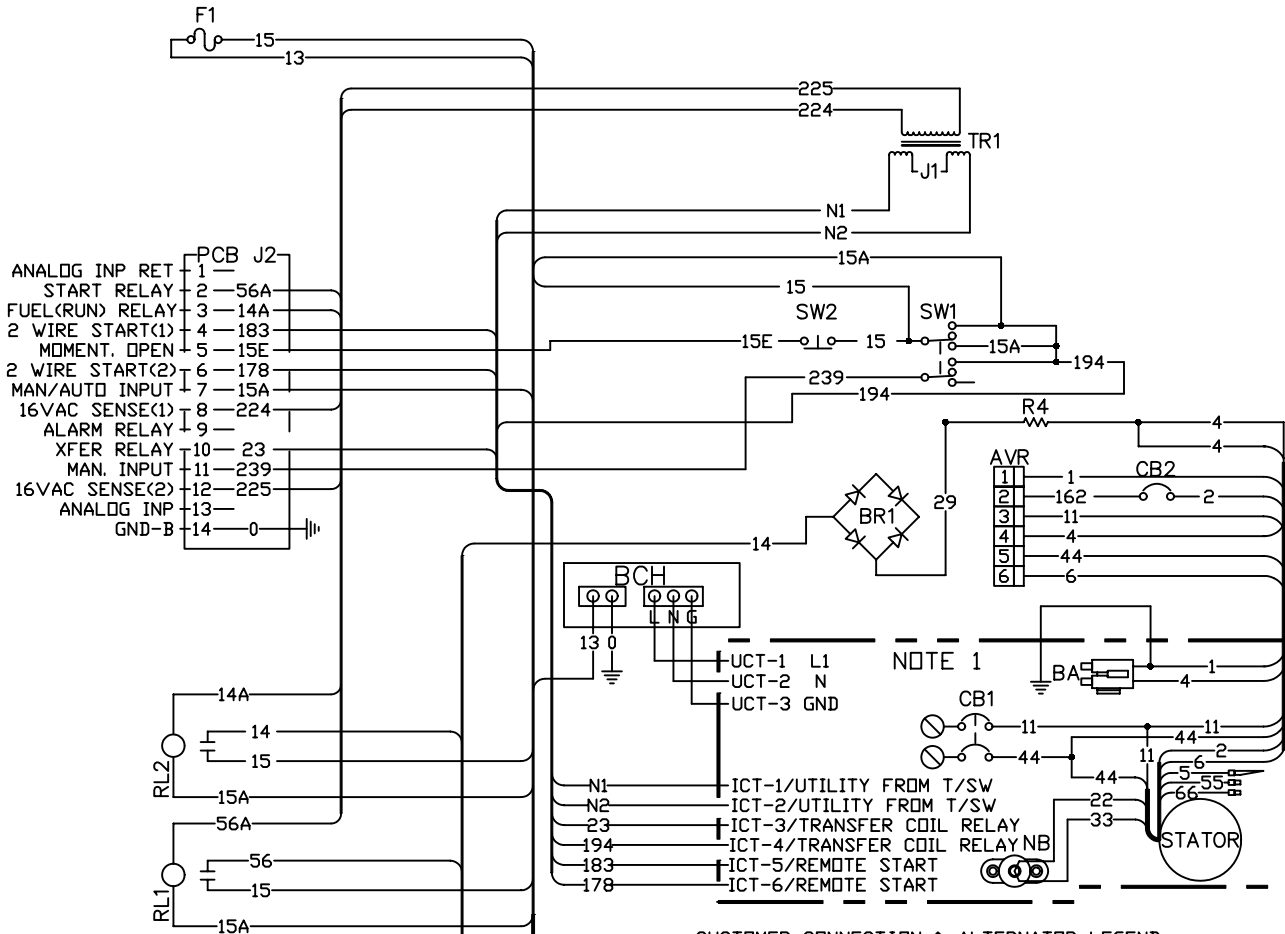
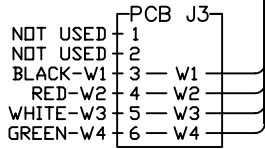
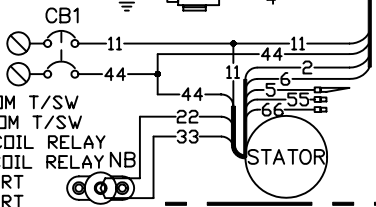


## CONTROL PANEL LEGEND

- AVR - AUTOMATIC VOLTAGE REGULATOR
- BCH - BATTERY CHARGER
- BR1 - BRIDGE RECTIFIER
- CB2 - CIRCUIT BREAKER (EXCITATION)
- F1 - FUSE, BAT POWER (15A ATO TYPE)
- J2 - CONNECTOR 2 (ON PCB)
- J3 - CONNECTOR 3 (ON PCB)
- R4 - FIELD BOOST RESISTOR
- RL1 - RELAY 1 (START RELAY)
- RL2 - RELAY 2 (ENGINE RUN)
- SW1 - AUTO/OFF/MANUAL SWITCH
- SW2 - SET EXERCISER SWITCH
- TR1 - TRANSFORMER 1 (6VA 240/16 VAC)



NOTE 1

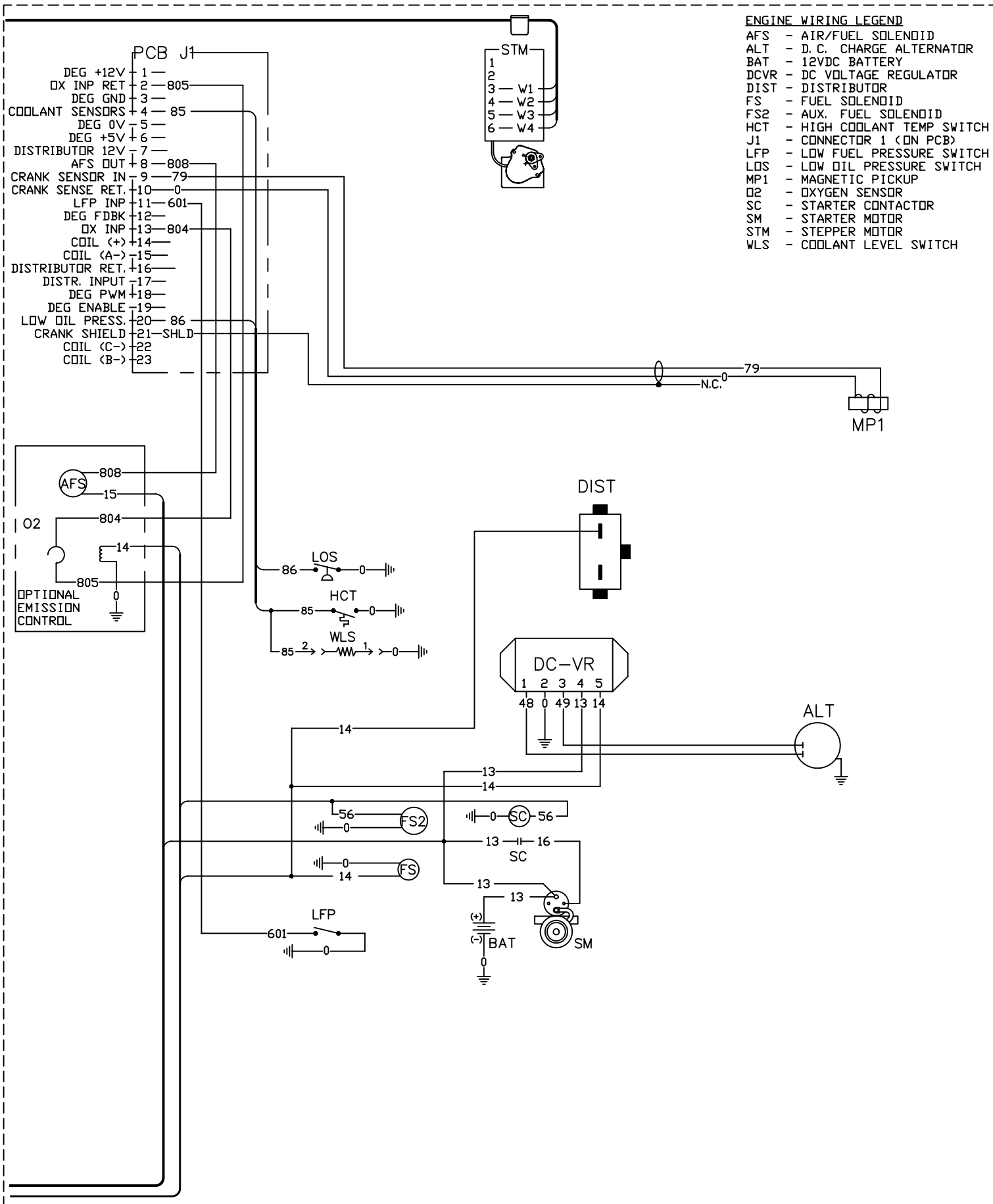


## CUSTOMER CONNECTION & ALTERNATOR LEGEND

- BA - BRUSH ASSEMBLY (GENERATOR)
- CB1 - MAINLINE CIRCUIT BREAKER  
240V OUTPUT TO TRANSFER SWITCH
- ICT - INTERCONNECT TERMINAL BLOCK
- NB - NEUTRAL BLOCK
- UCT - UTILITY CONNECT TERMINAL BLOCK

NOTE 1:  
WIRING SHOWN FOR CB1, NB, BA AND  
STATOR IS TYPICAL FOR SINGLE PHASE.  
FOR 3-PHASE, SEE DWG. OF 6839.

# GROUP G



## ENGINE WIRING LEGEND

- AFS - AIR/FUEL SOLENOID
- ALT - D. C. CHARGE ALTERNATOR
- BAT - 12VDC BATTERY
- DCVR - DC VOLTAGE REGULATOR
- DIST - DISTRIBUTOR
- FS - FUEL SOLENOID
- FS2 - AUX. FUEL SOLENOID
- HCT - HIGH COOLANT TEMP SWITCH
- J1 - CONNECTOR 1 (ON PCB)
- LFP - LOW FUEL PRESSURE SWITCH
- LOS - LOW OIL PRESSURE SWITCH
- MP1 - MAGNETIC PICKUP
- O2 - OXYGEN SENSOR
- SC - STARTER CONTACTOR
- SM - STARTER MOTOR
- STM - STEPPER MOTOR
- WLS - COOLANT LEVEL SWITCH

SCHMATIC - DIAGRAM

1.5L COMM PROD LINE

DRAWING #: 0F7419

REVISION: \*

DATE: 08/04/05