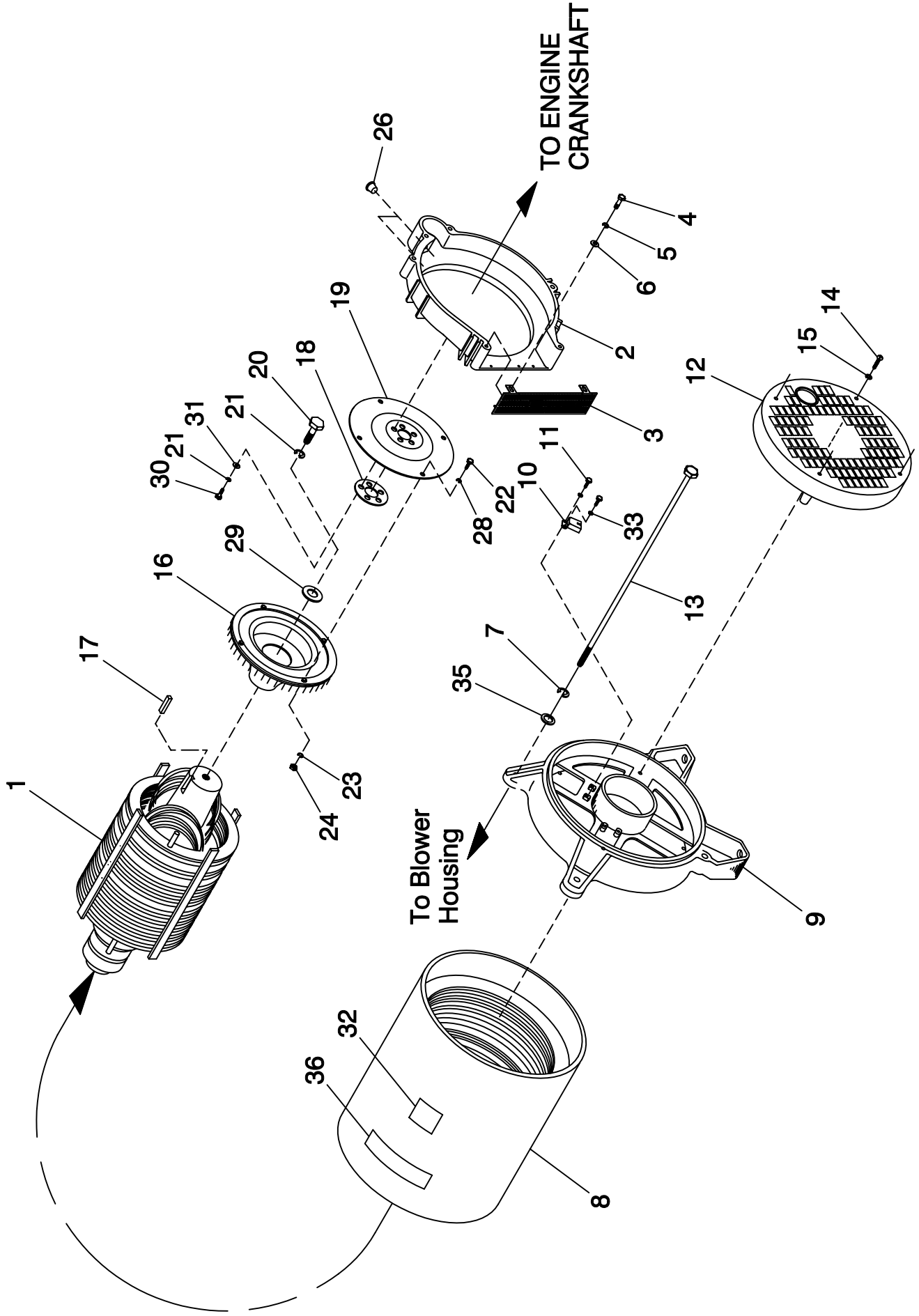


GROUP A



EXPLODED VIEW:  
GENERATOR  
DRAWING #: 0F8222

**EXPLODED VIEW: GENERATOR****DRAWING #: 0F8222****GROUP A****APPLICABLE TO:**

| <b>ITEM</b> | <b>PART #</b> | <b>QTY.</b> | <b>DESCRIPTION</b>                |
|-------------|---------------|-------------|-----------------------------------|
| 1           | 098675        | 1           | ASSY ROTOR 20KW                   |
| 2           | 0A5336A       | 1           | HOUSING BLOWER                    |
| 3           | 0A1659        | 1           | SCREEN AIR OUTLET                 |
| 4           | 020746        | 4           | SCREW PPHM M5-0.8 X 8 ZINC        |
| 5           | 049226        | 4           | WASHER LOCK M5                    |
| 6           | 051713        | 4           | WASHER FLAT M5                    |
| 7           | 022129        | 4           | WASHER LOCK M8-5/16               |
| 8           | 0F8218        | 1           | ASSY STATOR 20KW 1PH A            |
|             | 0F8220        | 1           | ASSY STATOR 20KW 3PH GJK          |
| 9           | 0A5382        | 1           | BEARING CARRIER REAR              |
| 10          | 075591        | 1           | ASSY HOLDER BRUSH                 |
| 11          | 075476        | 4           | SCREW PPHM M4-0.7 X 16            |
| 12          | 0A5601A       | 1           | COVER REAR BEARING                |
| 13          | 075554B       | 4           | BOLT STATOR X 16" LG              |
| 14          | 0A9375        | 4           | SCREW RHM #10-24 X 2              |
| 15          | 022152        | 4           | WASHER LOCK #10                   |
| 16          | 097146        | 1           | FAN & RING GEAR ASSEM.            |
| 17          | 042558        | 1           | KEY SQ 3/8 X 1 STEEL              |
| 18          | 0A5061        | 1           | SPACER-FLEX PLATE                 |
| 19          | 0A4989        | 1           | PLATE FLEX                        |
| 20          | 053607        | 1           | SCREW HHC M12-1.75 X 35 G8.8      |
| 21          | 051769        | 6           | WASHER LOCK M12                   |
| 22          | 049541        | 4           | SCREW HHC M10-1.5 X 35 G8.8       |
| 23          | 046526        | 4           | WASHER LOCK M10                   |
| 24          | 045772        | 4           | NUT HEX M10-1.5 G8 YEL CHR        |
| 26*         | 087599        | 2           | PLUG PLASTIC 3/8 NPT              |
| 27          | 077043E       | 1           | FLEX CONDUIT 1" BLACK (NOT SHOWN) |
| 28          | 022131        | 4           | WASHER FLAT 3/8-M10 ZINC          |
| 29          | 072578        | 1           | SPACER ROTOR SHAFT                |
| 30          | 0A7043        | 5           | SCREW HHC M12-1.25 X 25 G8.8      |
| 31          | 049808        | 5           | WASHER FLAT M12                   |
| 32          | 058589        | 1           | DECAL WARN ENG START              |
| 33          | 023365        | 4           | WASHER SHAKEPROOF INT #8          |
| 35          | 0A8830        | 4           | WASHER FLAT .34 ID X .75 OD       |
| 36          | 072080        | 1           | DECAL DANGER STANBY UNITS         |