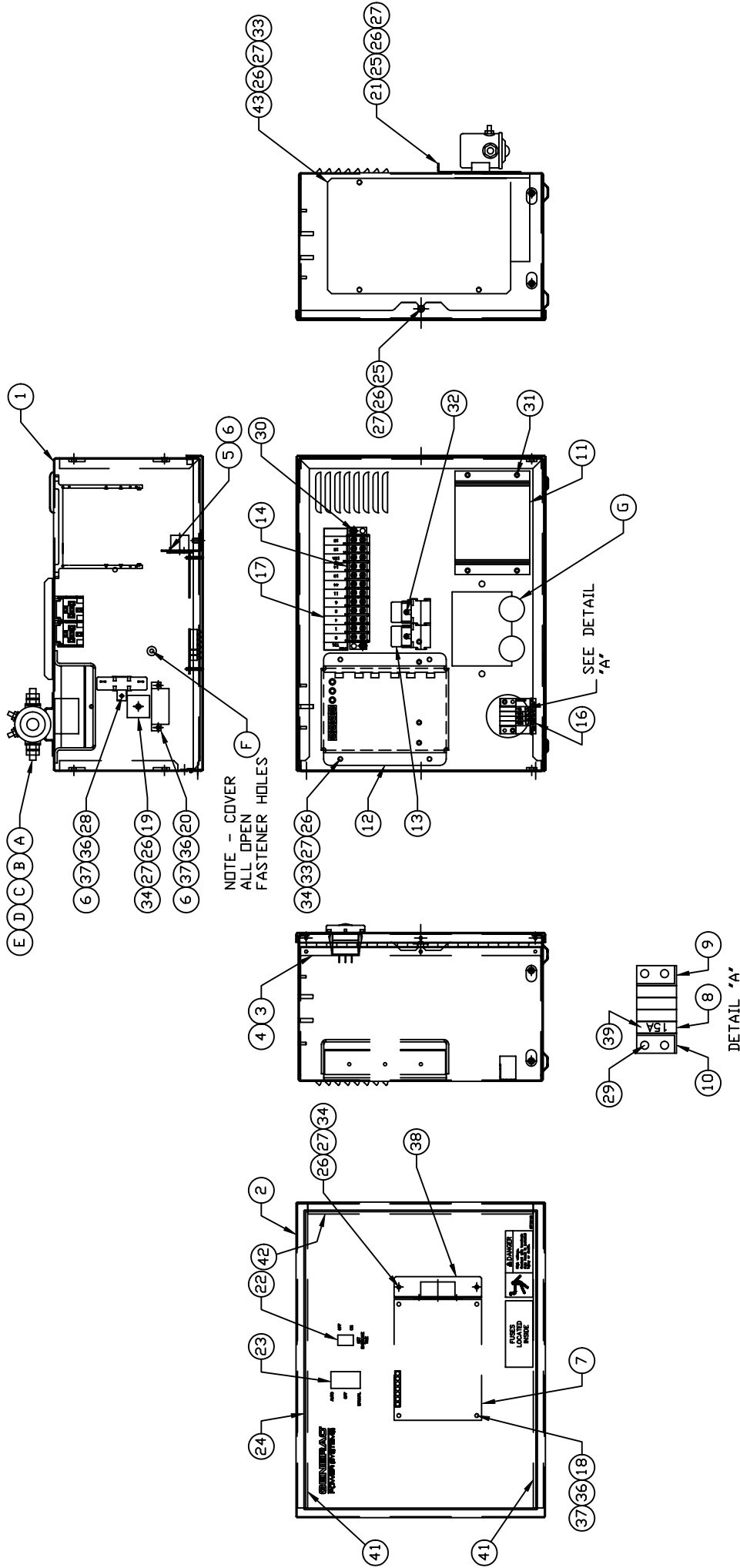


GROUP B



EXPLODED VIEW:
 R-100 3600 RPM 1.5L 240V
 DRAWING #: 0F7380D

APPLICABLE TO:

| ITEM | PART # | QTY. | DESCRIPTION |
|----------------------------------|---------|------|--|
| 1 | 0F1823A | 1 | ENCL HSB CONTROL PANEL |
| 2 | 0F3078 | 1 | COVER CONTROL PANEL |
| 3 | 0F2606 | 1 | HINGE CONTINUOUS H-PNL |
| 4 | 036261 | 6 | RIVET POP .125 X .275 SS |
| 5 | 043181 | 4 | SCREW PHM M3-0.5 X 10MM |
| 6 | 052777 | 7 | WASHER FLAT M3 |
| 7 | 0F4245F | 1 | ASSY PCB CPL CTRLR 3600 RPM |
| 8 | 0F1262 | 4 | HOLDER FUSE WICKMANN 178.6150 |
| 9 | 0F1263 | 1 | ADPTR RH SIDE WICKMAN 178.6191 |
| 10 | 0F1264 | 1 | ADPTR LH SIDE WICKMAN 178.6192 |
| 11 | 0F1725C | 1 | ASSY PCB 2AMP 12V UL BATT CHGR |
| 12 | 067680 | 1 | ASSY VOLTAGE REGULATOR 60HZ |
| 13 | 0E6875A | 2 | RELAY 12VDC C FORM W/DIODE |
| 14 | 055911 | 1 | BLOCK TERM 20A 12 X 6 X 1100V |
| 16 | 0F5459 | 1 | DECAL CPL CONTROL PANEL FUSES |
| 17 | 0F5462 | 1 | DECAL CPL 3.9L TB1 |
| 18 | 0A5062J | 4 | SPACER 9.5H 3.2 ID |
| 19 | 029673 | 1 | DIO BRIDGE 25A 600V |
| 20 | 049350 | 1 | CB 4 X 1 ETA 46-500-P |
| 21 | 0F1958 | 1 | PLATE HARNESS CLAMP |
| 22 | 082573 | 1 | SWITCH RKR DPST 125V SPD |
| 23 | 0E4494 | 1 | SWITCH RKR DPDT ON-OFF-ON |
| 24 | 0F3215 | 1 | DECAL CONTROL HSB |
| 25 | 0F5886 | 3 | SCREW HHPM M5-0.8 X 12 |
| 26 | 051713 | 14 | WASHER FLAT M5 |
| 27 | 049226 | 14 | WASHER LOCK M5 |
| 28 | 0F5752B | 1 | RES WW 25R 5% 25W QK CONN |
| 29 | 0F5884 | 2 | SCREW PHTT M3.5-0.6 X 10 |
| 30 | 0F5896 | 2 | SCREW PHTT M3.5-0.6 X 16 |
| 31 | 0C2265 | 4 | SCREW PHTT M4-0.7 X 12 ZYC |
| 32 | 0C3990 | 2 | SCREW PHTT M4-0.7 X 10 ZYC |
| 33 | 091526 | 8 | SCREW PPHM M5-0.8 X 12 ZNC |
| 34 | 051716 | 7 | NUT HEX M5-0.8 G8 CLEAR ZINC |
| 36 | 043182 | 7 | WASHER LOCK M3 |
| 37 | 051714 | 7 | NUT HEX M3-0.5 G8 YEL CHR |
| 38 | 0F3192 | 1 | SUPPORT ANGLE PCB |
| 39 | 0E7403C | 1 | FUSE ATO TYPE 15 AMP (BLUE) |
| 40 | 0F4416 | 1 | HARN 1800RPM R-100 CONTROL PNL (NOT SHOWN) |
| 41 | 0F6305 | 2 | SEAL COVER 3.18 X 12.7 X 382 |
| 42 | 0F6305A | 1 | SEAL COVER 3.18 X 12.7 X 283 |
| 43 | 0F2627 | 1 | PLATE COVER H PANEL |
| COMPONENTS INSTALLED PER OF7380D | | | |
| A | 056739 | 1 | RELAY SOLENOID 12VDC PNL MNT |
| B | 022287 | 2 | SCREW HHC 1/4-20 X 3/4 G5 |
| C | 022473 | 4 | WASHER FLAT 1/4-M6 ZINC |
| D | 022097 | 2 | WASHER LOCK M6-1/4 |
| E | 022127 | 2 | NUT HEX 1/4-20 STEEL |
| F | 0F6145 | A/R | SEAL WEATHER .45" DIA |