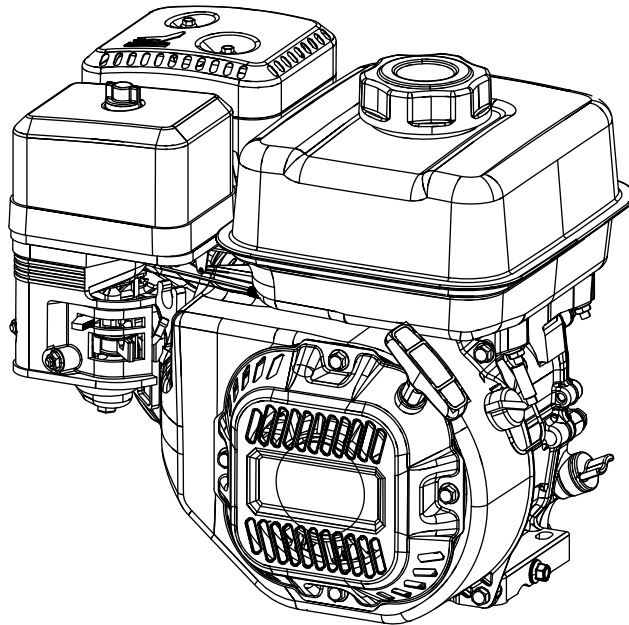


196cc Gasoline Engine (G33)

Parts Manual



NOTICE!

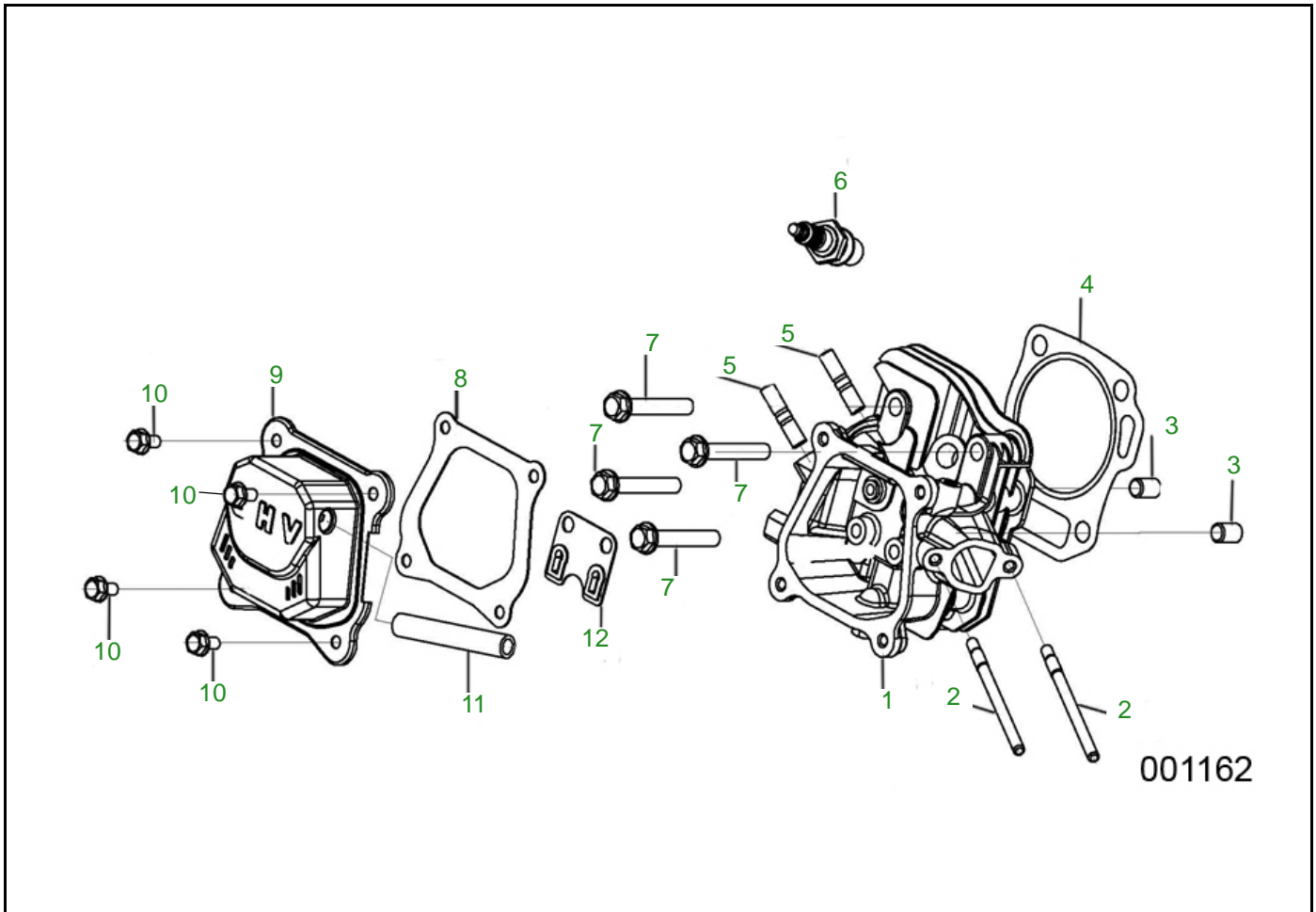
The information in this manual is known to be accurate as of the date of release shown on the cover. However, engineering changes can occur without notice. To obtain the proper parts, please be sure to use the serial number of the unit being serviced when ordering from this manual. Always refer to any parts notes and changes before ordering. All other parts not shown in this manual can be found on Generac's exploded view drawings online on GENservice at www.generac.com.

www.generac.com or 1-888-GENERAC (1-888-436-3722)

Table of Contents

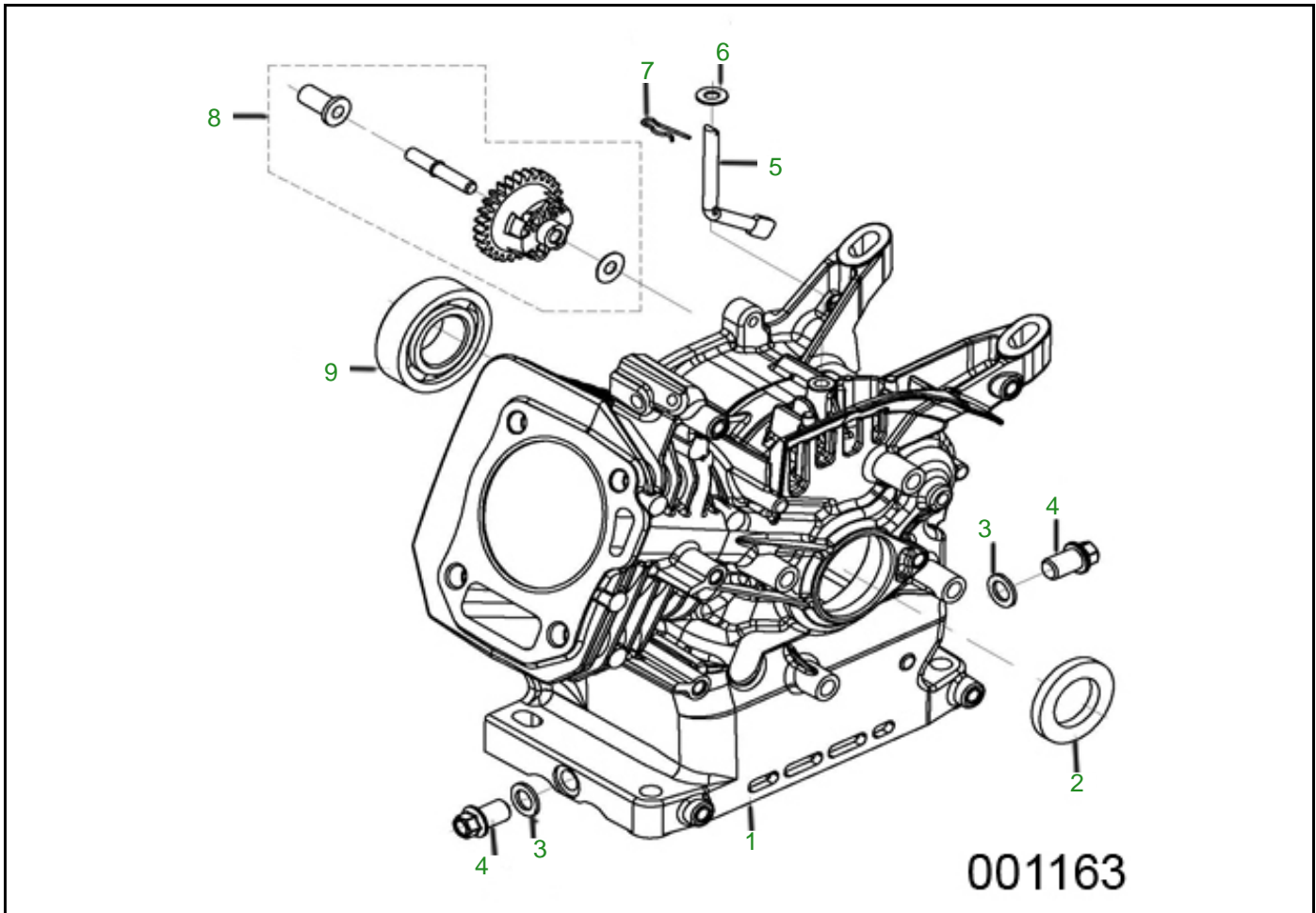
CYLINDER HEAD	1
CRANKCASE	2
CRANKCASE COVER	3
CRANKSHAFT/PISTON ASSEMBLIES	4
CAMSHAFT/ROCKER ARM ASSEMBLIES	5
RECOIL STARTER ASSEMBLY	6
DIVERSION ASSEMBLY	7
CARBURETOR ASSEMBLY	8
FLYWHEEL/IGNITION COIL ASSEMBLY	9
CONTROL SYSTEM	10
AIR CLEANER ASSEMBLY	11
MUFFLER ASSEMBLY	12
FUEL TANK ASSEMBLY	13

CYLINDER HEAD



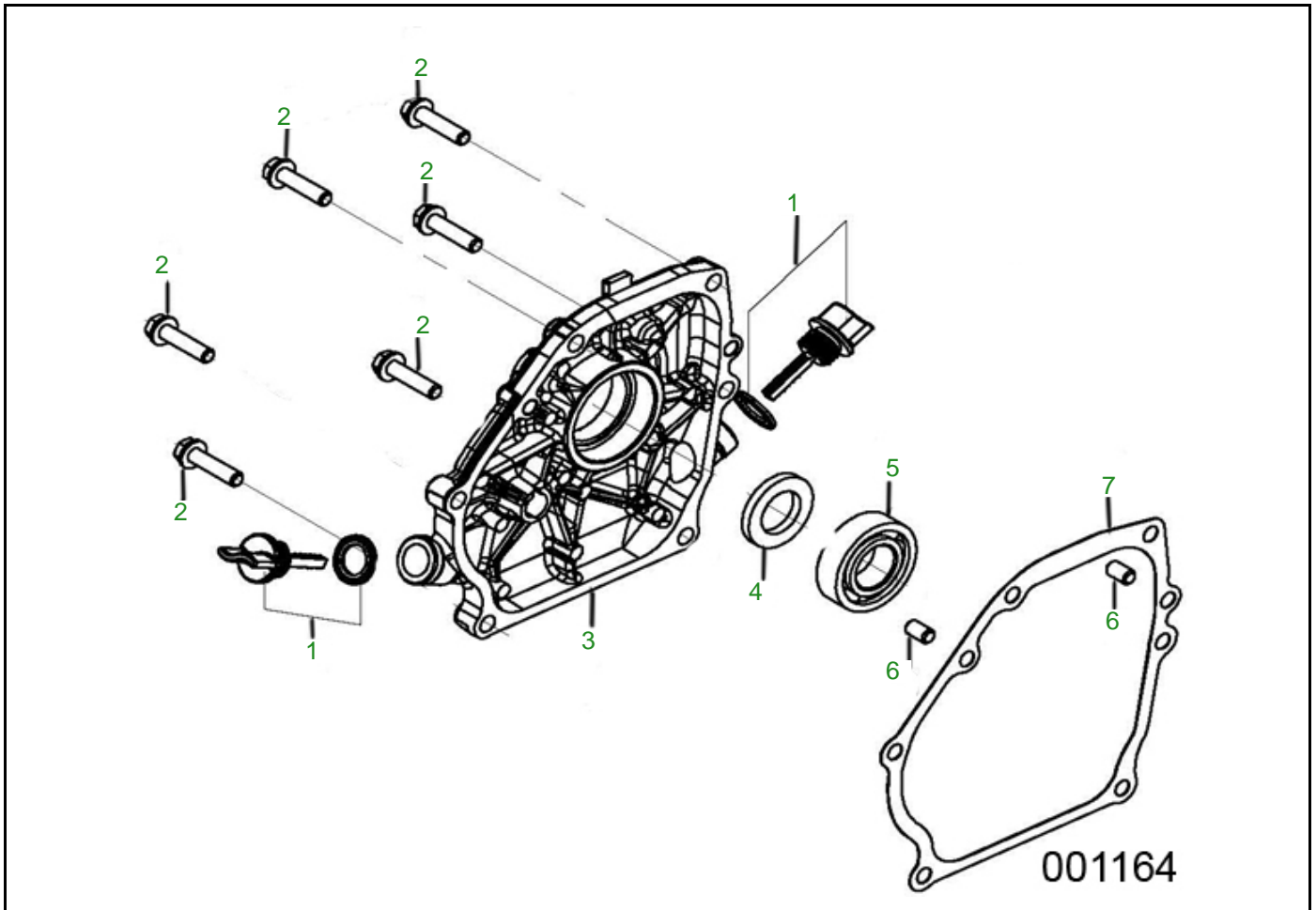
ITEM	PART NO.	DESCRIPTION	QTY
1	0K84300178	CYLINDER HEAD	1
2	0K84300121	INTAKE STUD BOLT (M6X110)	2
3	0K84300117	DOWEL PIN (10X16)	2
4	0K84300180	CYLINDER HEAD GASKET	1
5	0K84300122	EXHAUST STUD BOLT (M8X35)	2
6	0K84300191	SPARK PLUG F6RTC	1
7	0K84300197	FLANGE BOLT (M8X55)	4
8	0K84300124	CYLINDER HEAD COVER GASKET	1
9	0K84300142	CYLINDER HEAD COVER	1
10	0K84300112	FLANGE BOLT (M6X12)	4
11	0K84300123	BREATHER TUBE	1
12	0K84300147	GUIDE PLATE	1

CRANKCASE



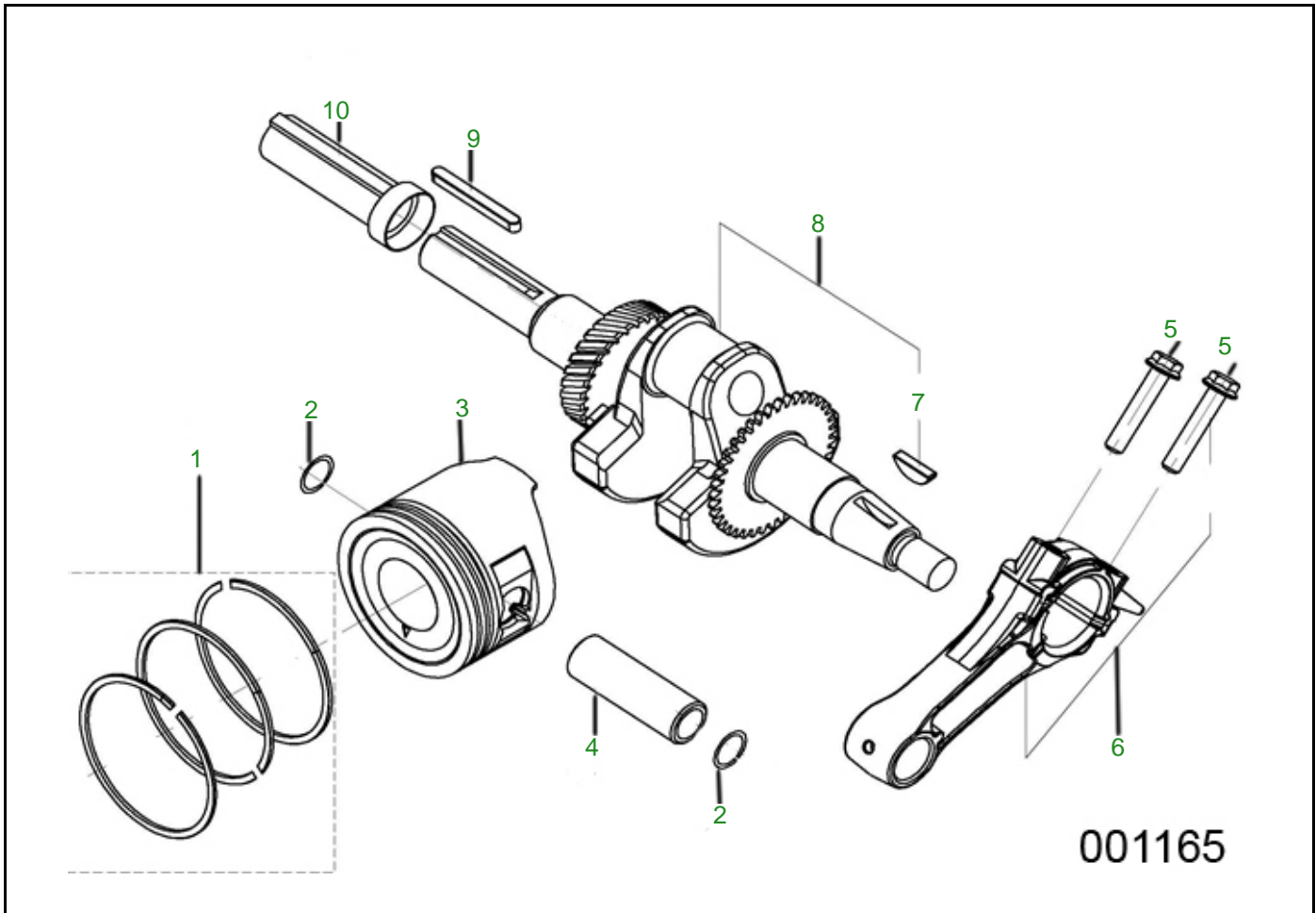
ITEM	PART NO.	DESCRIPTION	QTY
1	0K84300181	CRANKCASE	1
2	0K84300110	OIL SEAL (25X41.3X6)	1
3	0K84300125	WASHER (10x16x1.5)	2
4	0K84300179	DRAIN BOLT (M10X1.25X15)	2
5	0K84300134	GOVERNOR ARM SHAFT	1
6	0K84300135	GOVERNOR SHAFT WASHER	1
7	0K84300138	SPRING PIN	1
8	0K84300139	GOVERNOR GEAR	1
9	0K84300111	BEARING 6205 (P5 25X52X15)	1

CRANKCASE COVER



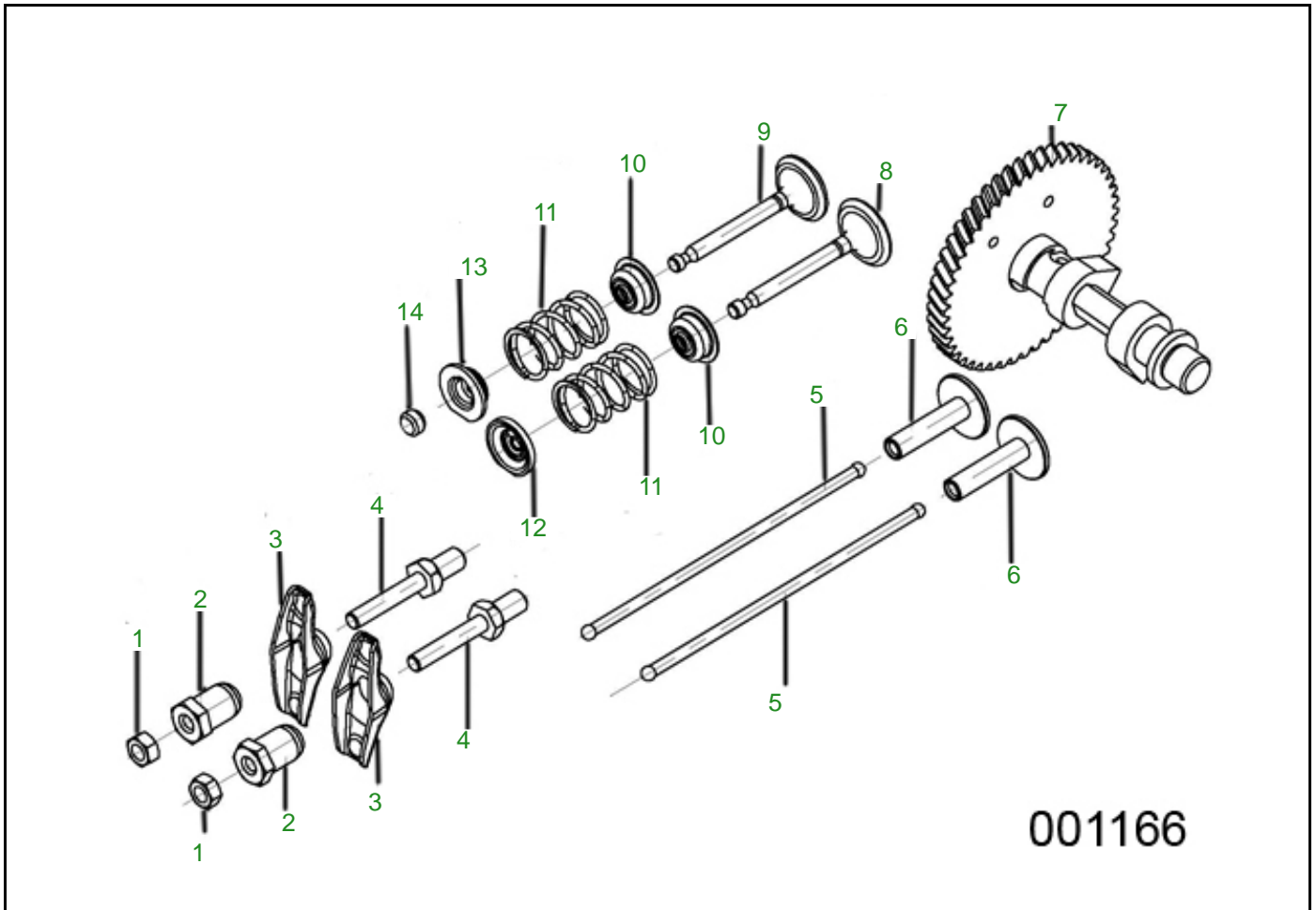
ITEM	PART NO.	DESCRIPTION	QTY
1	0K84300182	OIL DIPSTICK ASSEMBLY	2
2	0K84300196	FLANGE BOLT (M8X32)	6
3	0K84300143	CRANKCASE COVER	1
4	0K84300110	OIL SEAL (25X41.3X6)	1
5	0K84300111	BEARING 6205 (P5 25X52X15)	1
6	0K84300118	DOWEL PIN (9X14)	2
7	0K84300144	CRANKCASE COVER GASKET	1

CRANKSHAFT/PISTON ASSEMBLIES



ITEM	PART NO.	DESCRIPTION	QTY
1	0K84300187	PISTON RING SET	1
2	0K84300151	PISTON PIN CIRCLIP	2
3	0K84300185	PISTON	1
4	0K84300152	PISTON PIN	1
5	0K84300155	CONNECTING ROD BOLT	2
6	0K84300154	CONNECTING ROD	1
7	0K84300193	SEMI CIRCULAR KEY (4X7.5X19)	1
8	0K84300186	CRANKSHAFT (Q)	1
9	0K84300192	FLAT KEY (4.78X4.78X43)	1
10	0K84300153	CRANKSHAFT PROTECTOR	1

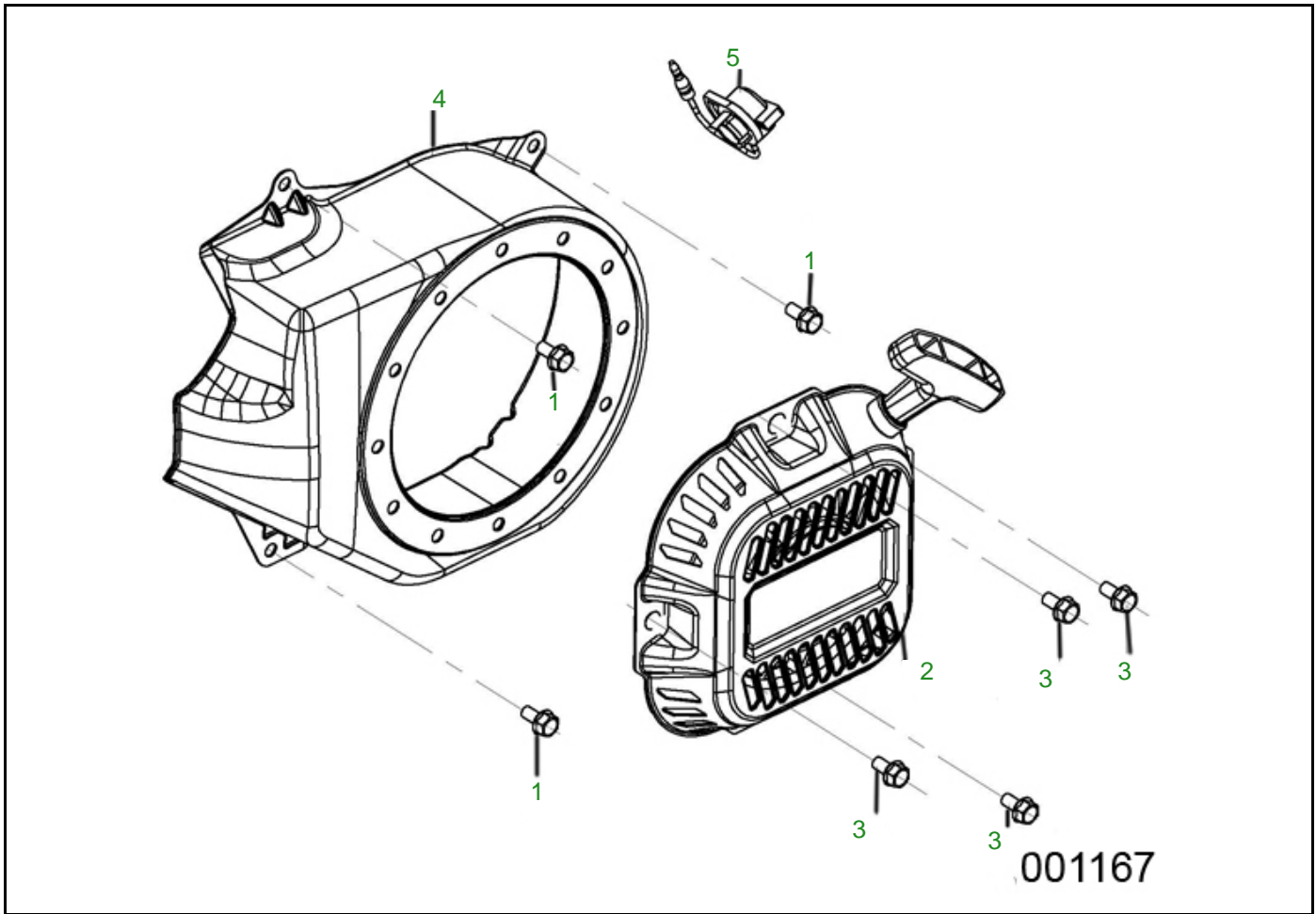
CAMSHAFT/ROCKER ARM ASSEMBLIES



001166

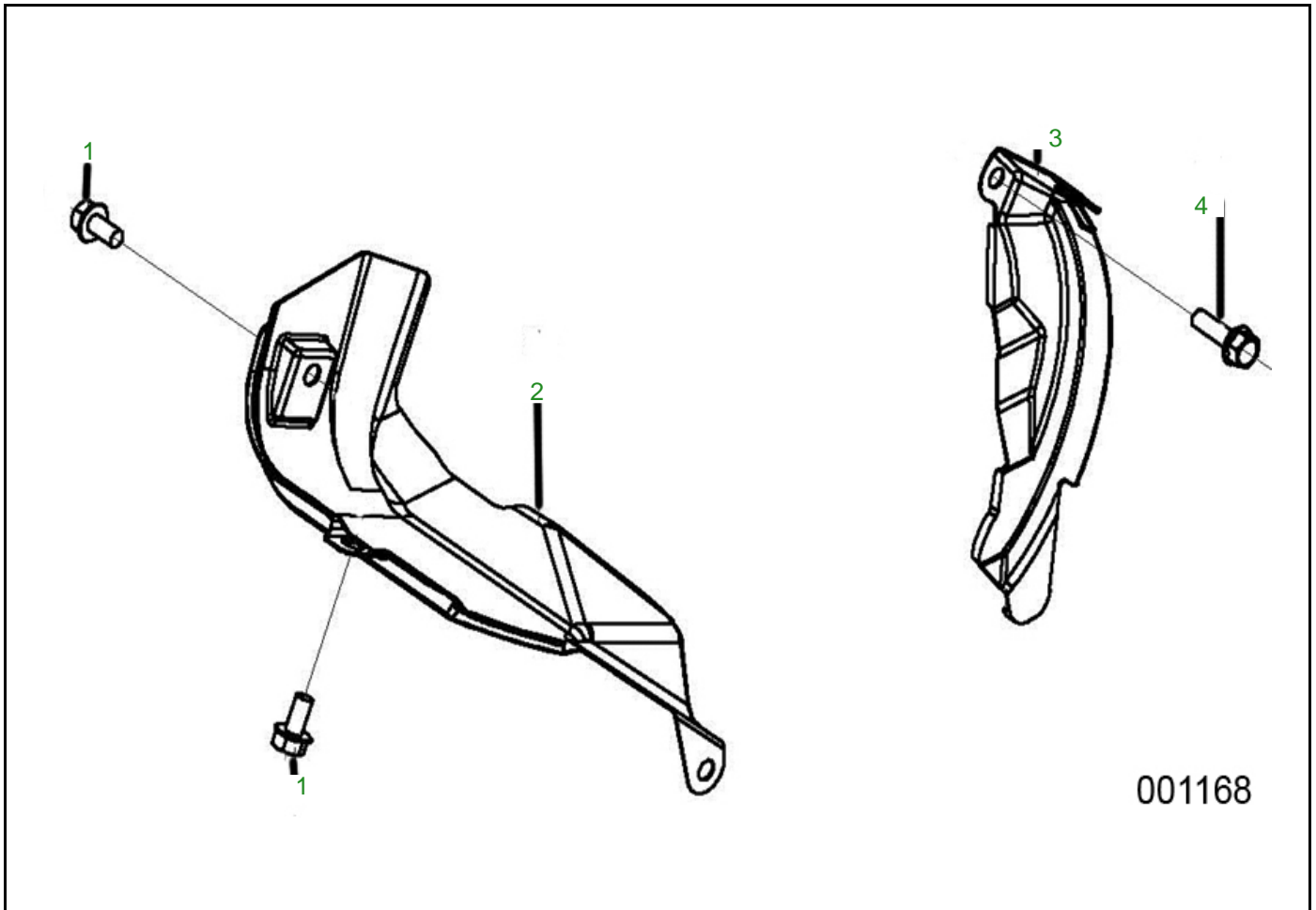
ITEM	PART NO.	DESCRIPTION	QTY
1	0K84300132	LOCKING NUT	2
2	0K84300131	ADJUSTING NUT	2
3	0K84300129	ROCKER ARM	2
4	0K84300130	ROCKER ARM BOLT	2
5	0K84300148	PUSHROD	2
6	0K84300183	TAPPET	2
7	0K84300184	CAMSHAFT	1
8	0K84300145	INTAKE VALVE	1
9	0K84300149	EXHAUST VALVE	1
10	0K84300150	VALVE OIL SEAL	2
11	0K84300146	VALVE SPRING	2
12	0K84300126	INTAKE VALVE RETAINER	1
13	0K84300127	EXHAUST VALVE RETAINER	1
14	0K84300128	EXHAUST VALVE ROTATOR	1

RECOIL STARTER ASSEMBLY



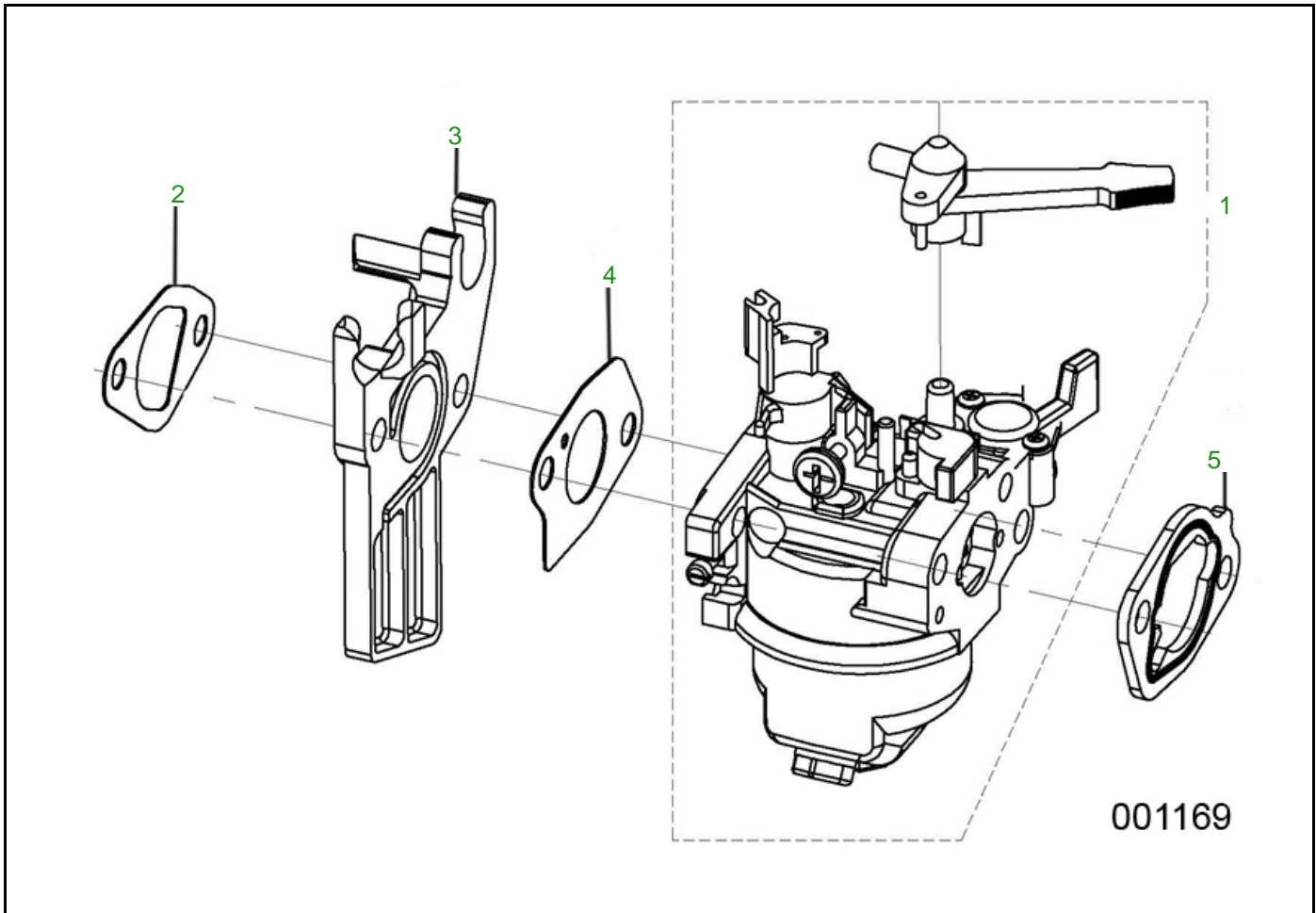
ITEM	PART NO.	DESCRIPTION	QTY
1	0K84300112	FLANGE BOLT (M6X12)	4
2	0K84300188	RECOIL STARTER ASSEMBLY	1
3	0K84300113	FLANGE BOLT(M6X8)	4
4	0K84300161	BLOWER HOUSING	1
5	0K84300140	FLAMEOUT SWITCH	1

DIVERSION ASSEMBLY



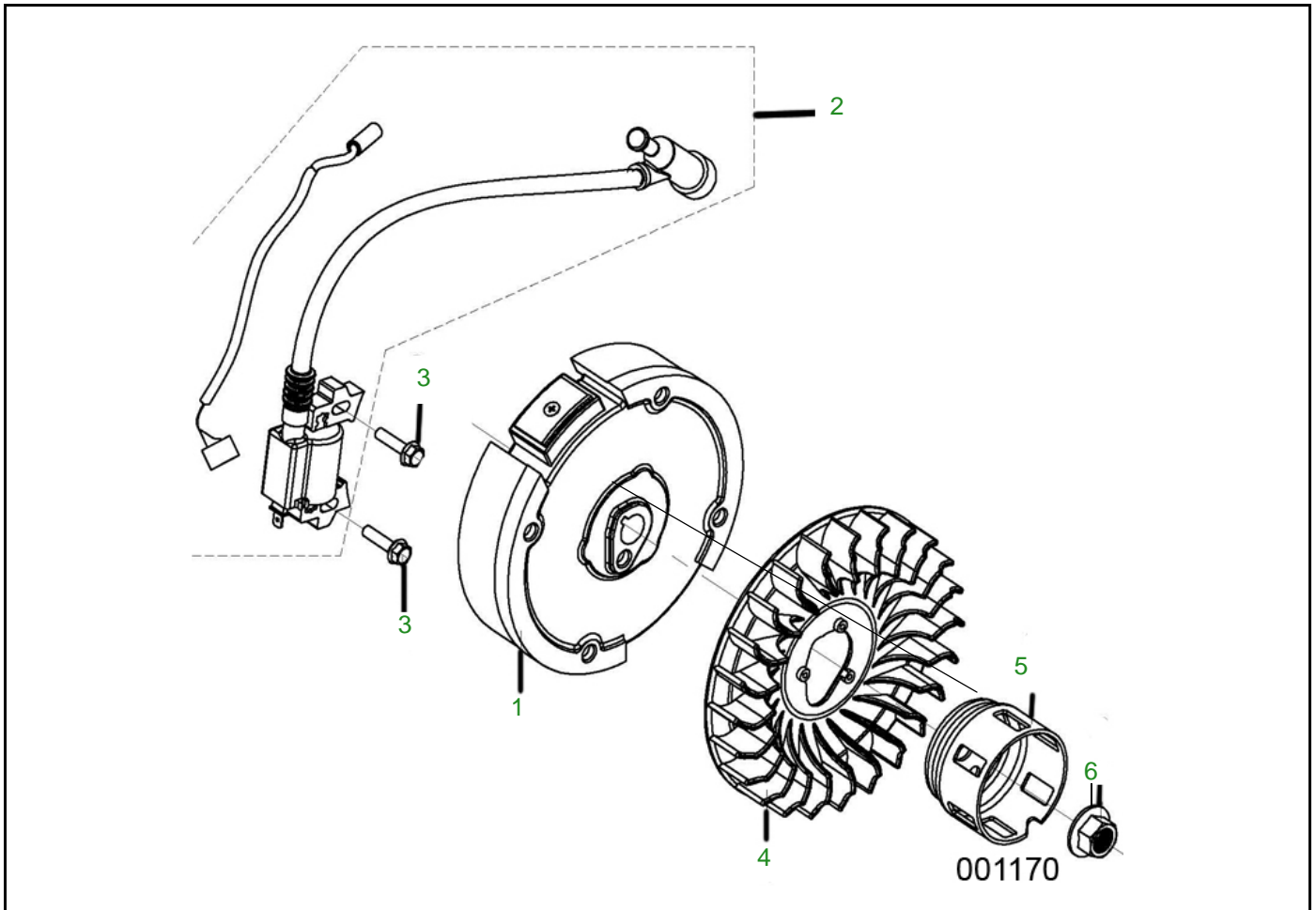
ITEM	PART NO.	DESCRIPTION	QTY
1	0K84300113	FLANGE BOLT (M6X8)	2
2	0K84300162	LOWER AIR GUIDE	1
3	0K84300163	RIGHT HALF AIR GUIDE	1
4	0K84300114	FLANGE BOLT (M6X20)	1

CARBURETOR ASSEMBLY



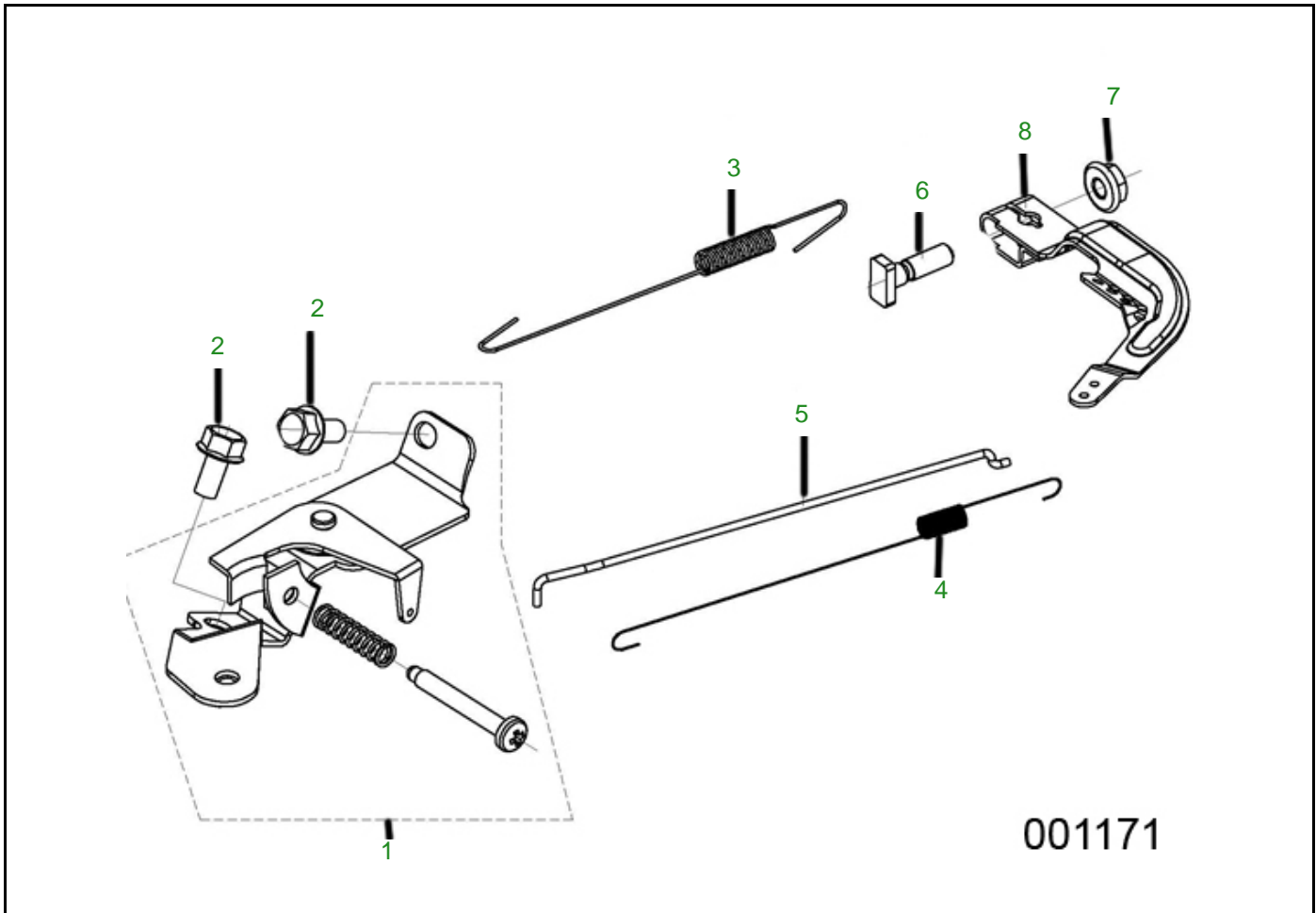
ITEM	PART NO.	DESCRIPTION	QTY
1	0K84300190	CARBURETOR ASSEMBLY	1
2	0K84300176	CARBURETOR INSULATOR GASKET	1
3	0K84300175	CARBURETOR INSULATOR	1
4	0K84300177	CARBURETOR GASKET	1
5	0K84300165	AIR CLEANER GASKET	1

FLYWHEEL/IGNITION COIL ASSEMBLY



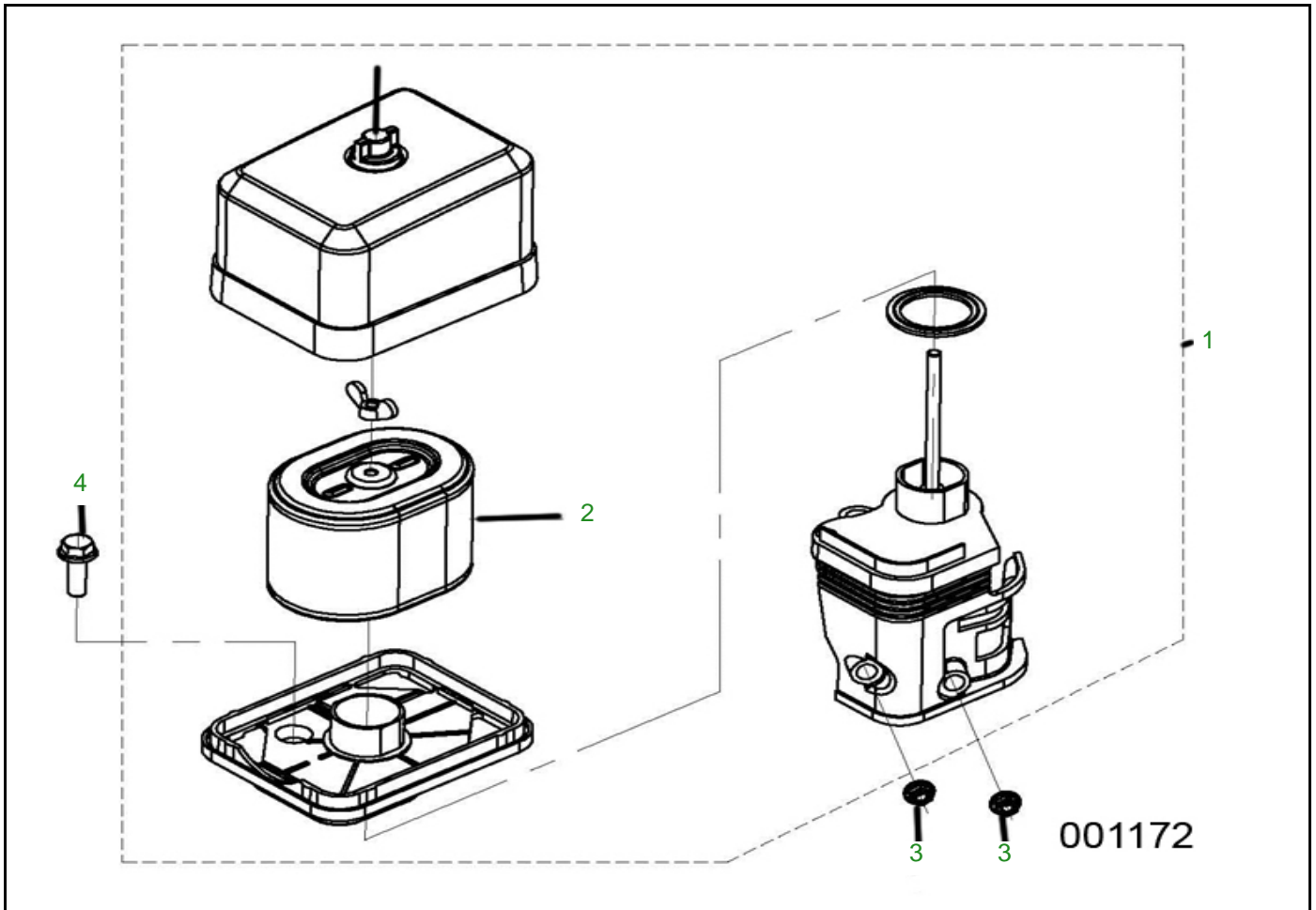
ITEM	PART NO.	DESCRIPTION	QTY
1	0K84300173	FLYWHEEL	1
2	0K84300174	IGNITION COIL ASSEMBLY	1
3	0K84300194	FLANGE BOLT (M6X25)	2
4	0K84300160	COOLING FAN	1
5	0K84300156	STARTER PULLEY	1
6	0K84300133	CRANKSHAFT NUT.	1

CONTROL SYSTEM



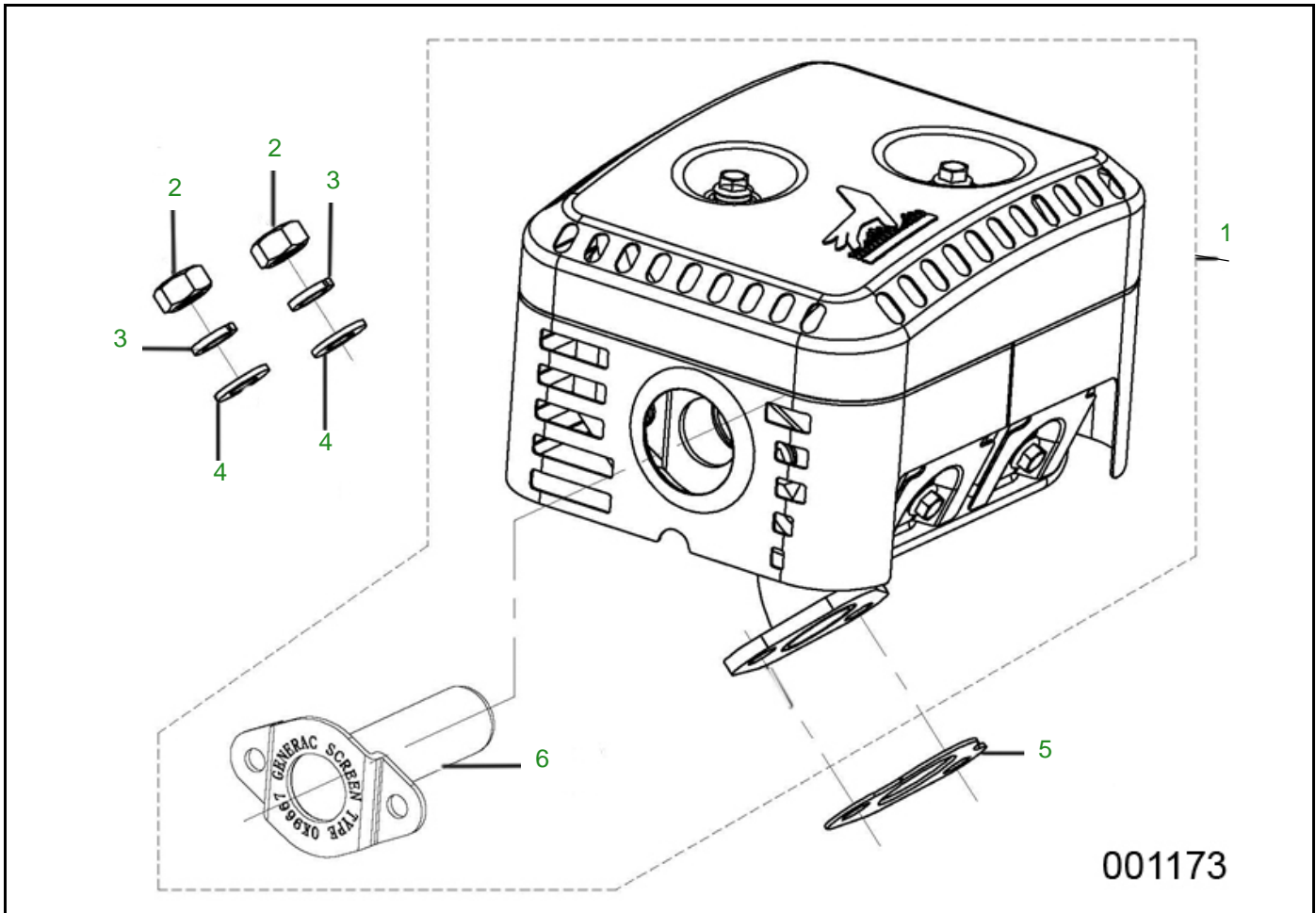
ITEM	PART NO.	DESCRIPTION	QTY
1	0K84300172	GOVERNOR CONTROL SYSTEM	1
2	0K84300112	FLANGE BOLT (M6X12)	2
3	0K84300171	GOVERNOR SPRING	1
4	0K84300169	THROTTLE RETURN SPRING	1
5	0K84300170	GOVERNOR ROD	1
6	0K84300137	GOVERNOR ARM BOLT	1
7	0K84300136	FLANGE NUT (M6)	1
8	0K84300115	GOVERNOR ARM	1

AIR CLEANER ASSEMBLY



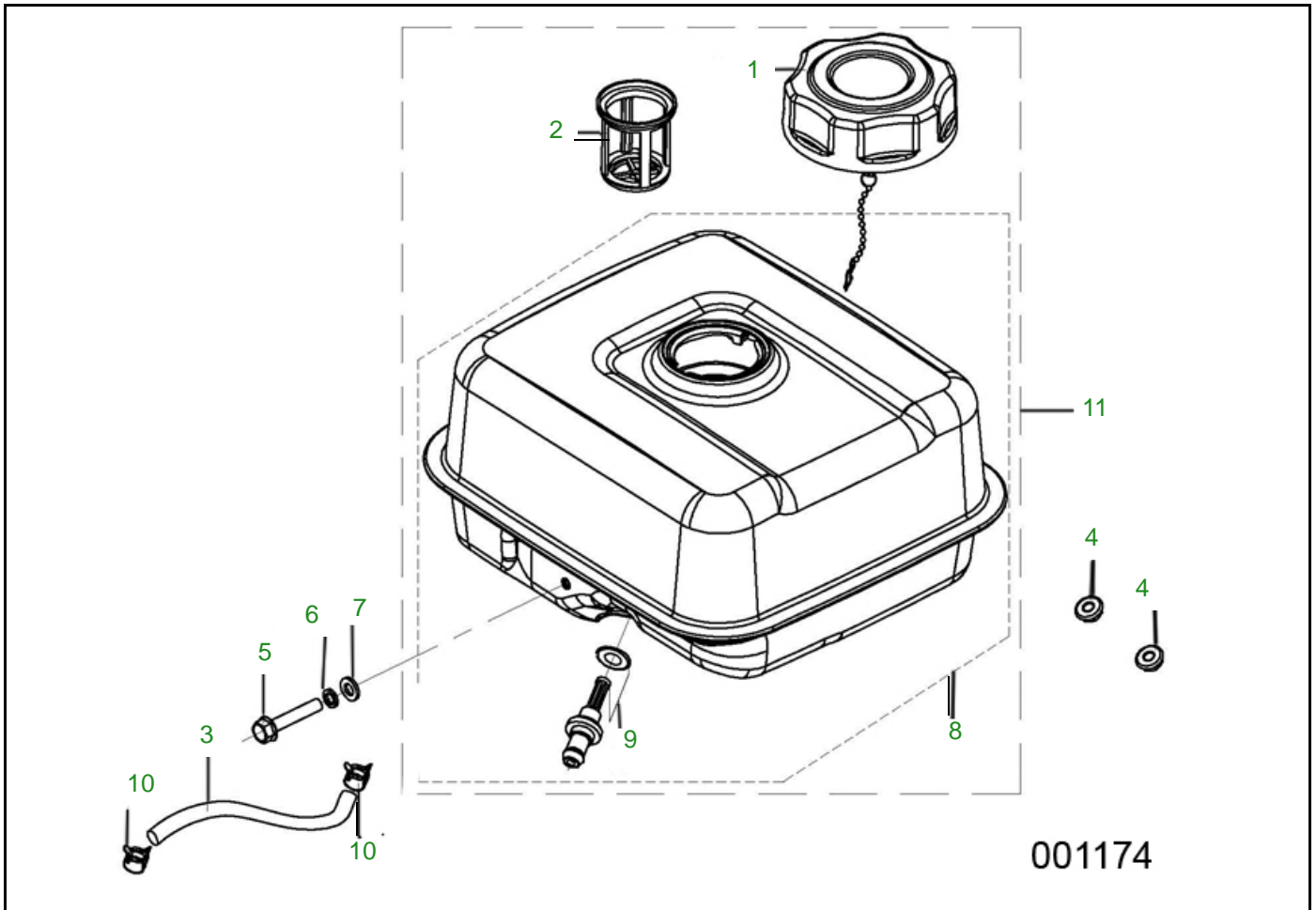
ITEM	PART NO.	DESCRIPTION	QTY
1	0K84300164	AIR CLEANER ASSEMBLY	1
2	0K84300168	AIR CLEANER ELEMENT	1
3	0K84300136	FLANGE NUT (M6)	2
4	0K84300114	FLANGE BOLT (M6X20)	1

MUFFLER ASSEMBLY



ITEM	PART NO.	DESCRIPTION	QTY
1	OK84300167	MUFFLER	1
2	OK84300198	HEXAGON THICK NUT (M8)	2
3	OK84300202	SPRING WASHER	2
4	OK84300200	FLAT WASHER	2
5	OK84300166	MUFFLER GASKET	1
6	OK9667	SPARK ARRESTOR	1

FUEL TANK ASSEMBLY



001174

ITEM	PART NO.	DESCRIPTION	QTY
1	0K84300189	FUEL CAP	1
2	0K84300158	FUEL FILTER	1
3	0K84300116	FUEL PIPE	1
4	0K84300199	FLANGE LOCKING NUT (M6)	2
5	0K84300195	FLANGE BOLT (M6X33)	1
6	0K84300201	SPRING WASHER	1
7	0K84300203	FLAT WASHER	1
8	0K84300159	COMPLETE FUEL TANK	1
9	0K84300120	FUEL PIPE CONNECTOR ASSEMBLY	1
10	0K84300119	CLAMP	2
11	0K84300157	FUEL TANK ASSEMBLY	1

Part No. 0K8430PMNL Rev. A 10/28/2015 Printed in USA
© Generac Power Systems, Inc. All rights reserved
Specifications are subject to change without notice.
No reproduction allowed in any form without prior written
consent from Generac Power Systems, Inc.

GENERAC®

A thick, black, horizontal underline bar that tapers slightly at both ends, positioned directly beneath the word "GENERAC".

Generac Power Systems, Inc.
S45 W29290 Hwy. 59
Waukesha, WI 53189
1-888-GENERAC (1-888-436-3722)
generac.com