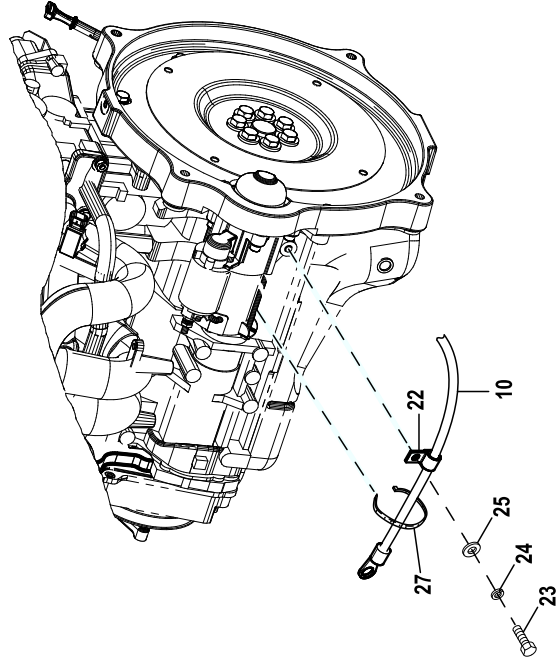
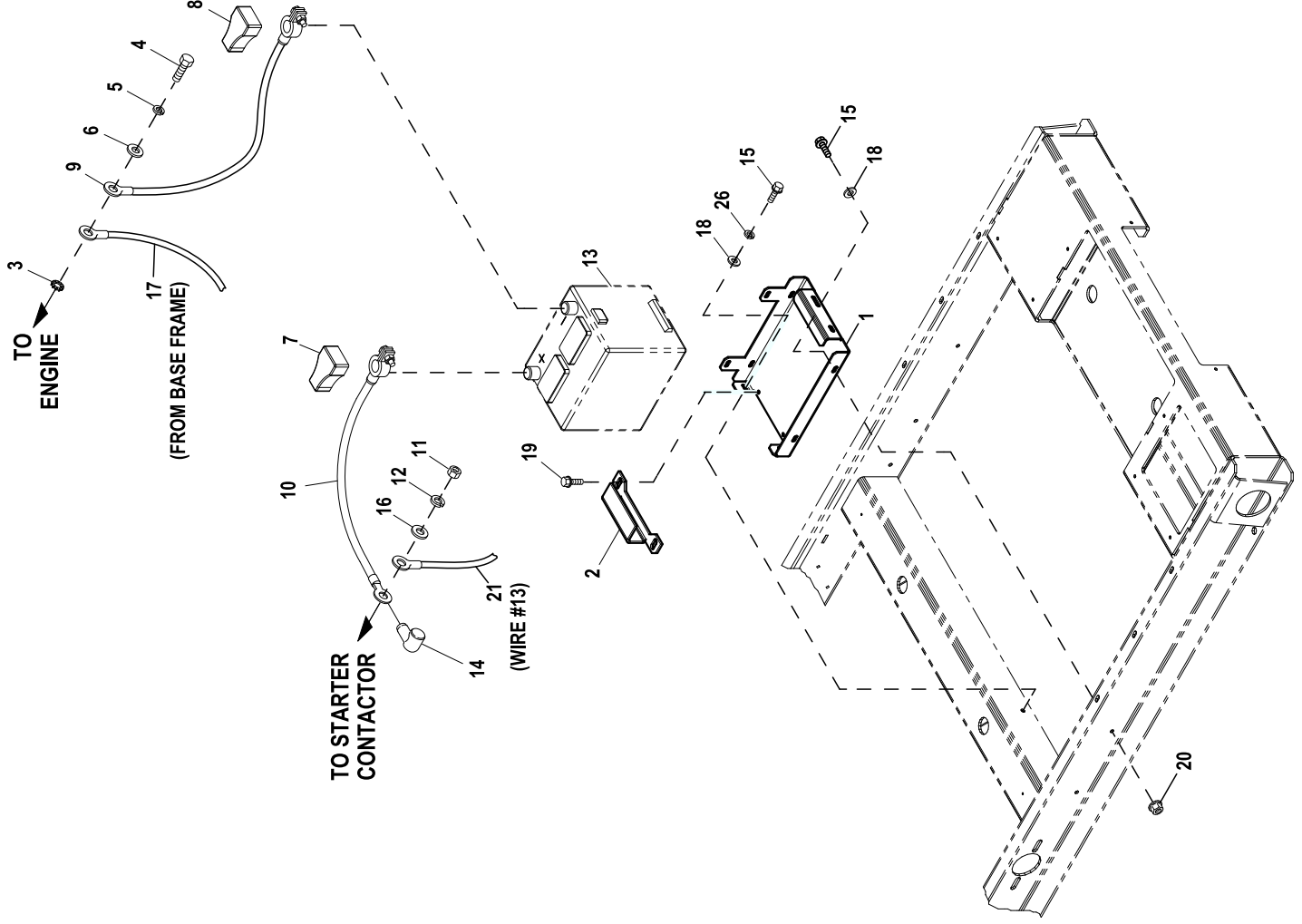


GROUP C



EXPLODED VIEW: EV BATTERY ACSRY C2**DRAWING #: 0K9020****GROUP C**

ITEM	PART#	QTY.	DESCRIPTION
1	0F3408C	1	BATTERY TRAY, C1 & C2
2	0F3411	1	STRAP BATTERY RETAINMENT
3	025507	REF	WASHER SHAKEPROOF EXT 7/16 STL
4	052212	REF	SCREW HHC M10-1.25 X 25 G8.8
5	046526	REF	WASHER LOCK M10
6	022131	REF	WASHER FLAT 3/8-M10 ZINC
7	050331A	REF	BATTERY POST COVER RED +
8	050331	REF	BATTERY POST COVER BLACK -
9	038805Y	1	CABLE BATTERY BLACK #1 X 16.00
10	038804T	1	CABLE BATT RED #1 X 31.00
11	045771	REF	NUT HEX M8-1.25 G8 YEL CHR
12	022129	REF	WASHER LOCK M8-5/16
13	077483	REF	BATTERY 12VDC 75-AH 26
14	0F3976	1	BOOT CONTACTOR CABLES
15	042568	4	SCREW HHC M6-1.0 X 20 C8.8
16	022145	REF	WASHER FLAT 5/16-M8 ZINC
17	0536210999	REF	ASSY WIRE GND #4 X 14" 3/8 LUG
18	022473	4	WASHER FLAT 1/4-M6 ZINC
19	0C2454	2	SCREW HWHT M6-1 X 16 N WA Z/JS
20	0D3700	2	NUT FLANGE M6-1.0 NYLOK
21	0K7683	REF	HARN ENG G2.4L G2 PROTECTOR
22	055934AA	1	CLAMP STL/VNL .812 X .531
23	0G1394	1	SCREW HHC M12-1.25 X 20 C10.9
24	051769	1	WASHER LOCK M12
25	049808	1	WASHER FLAT M12
26	022097	2	WASHER LOCK M6-1/4
27	029333A	1	TIE WRAP UL 7.4"X .19" BLK