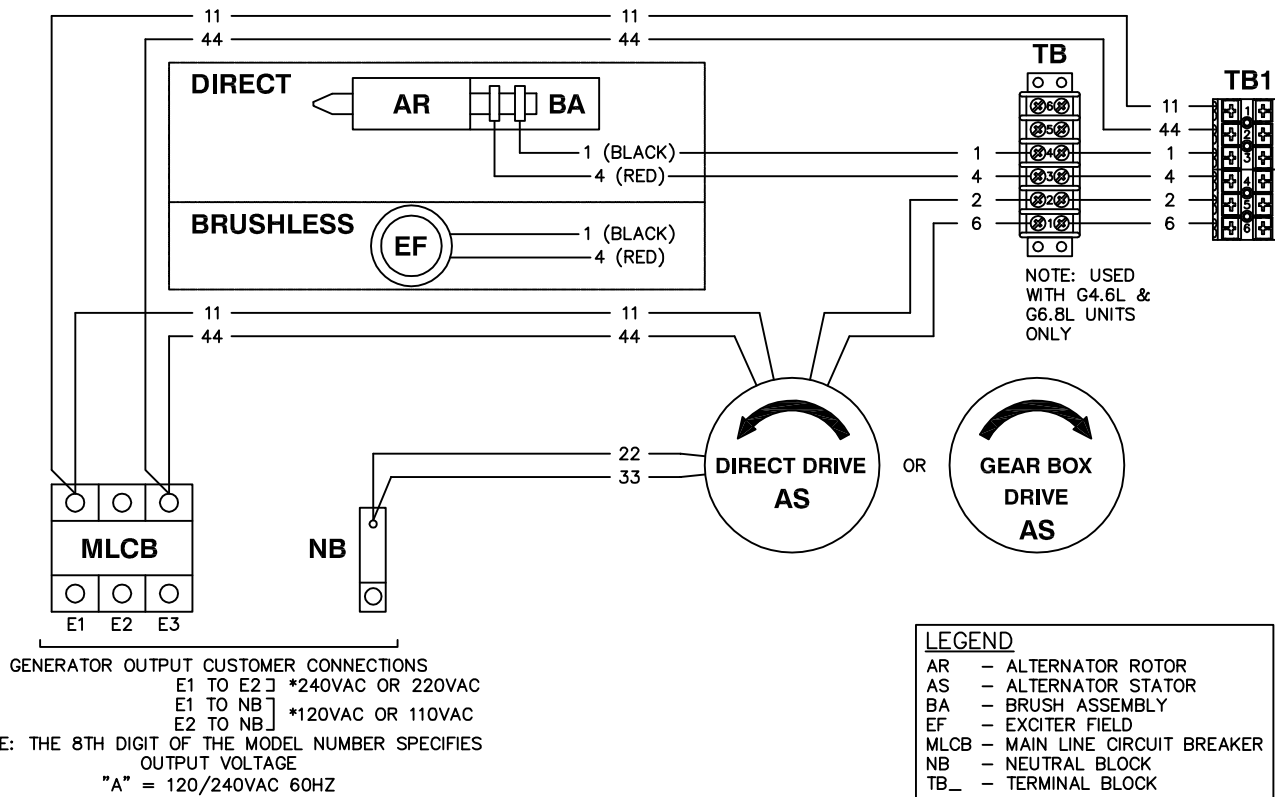
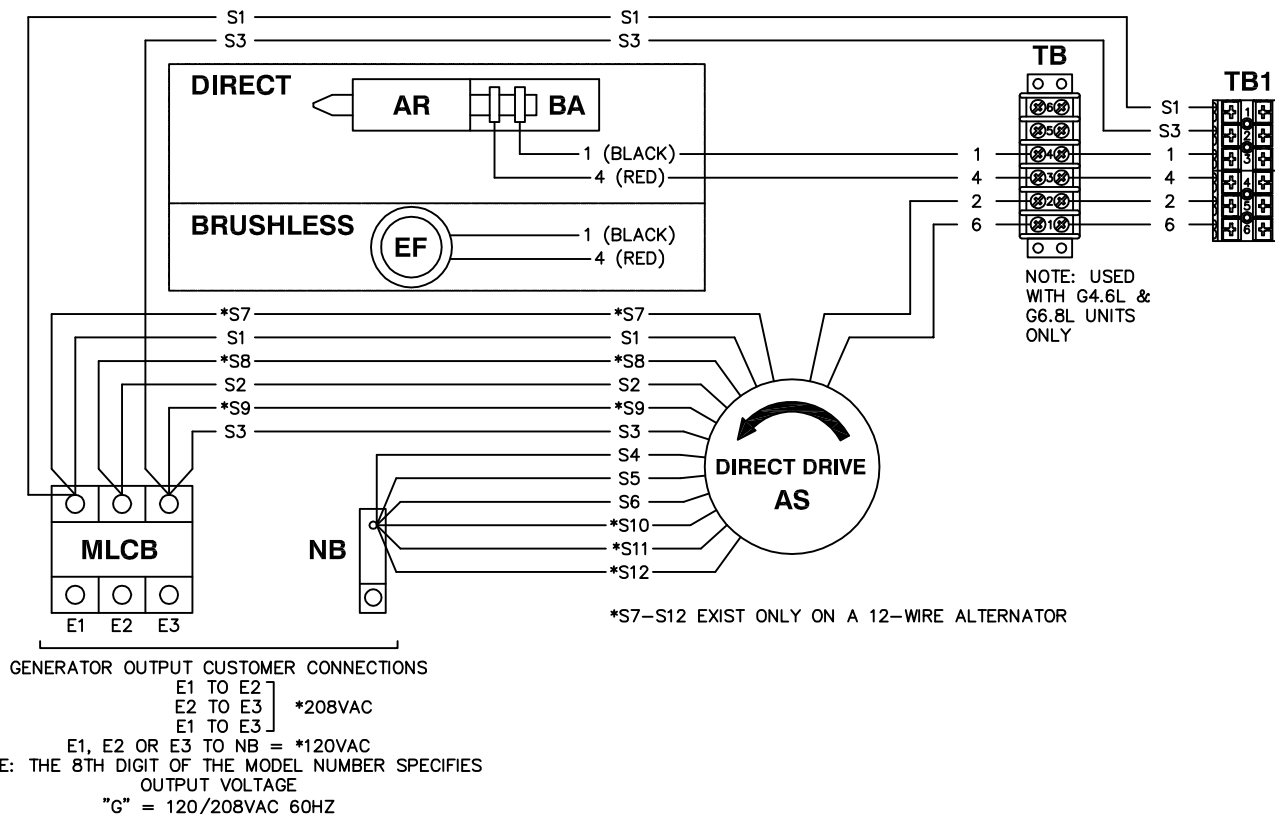


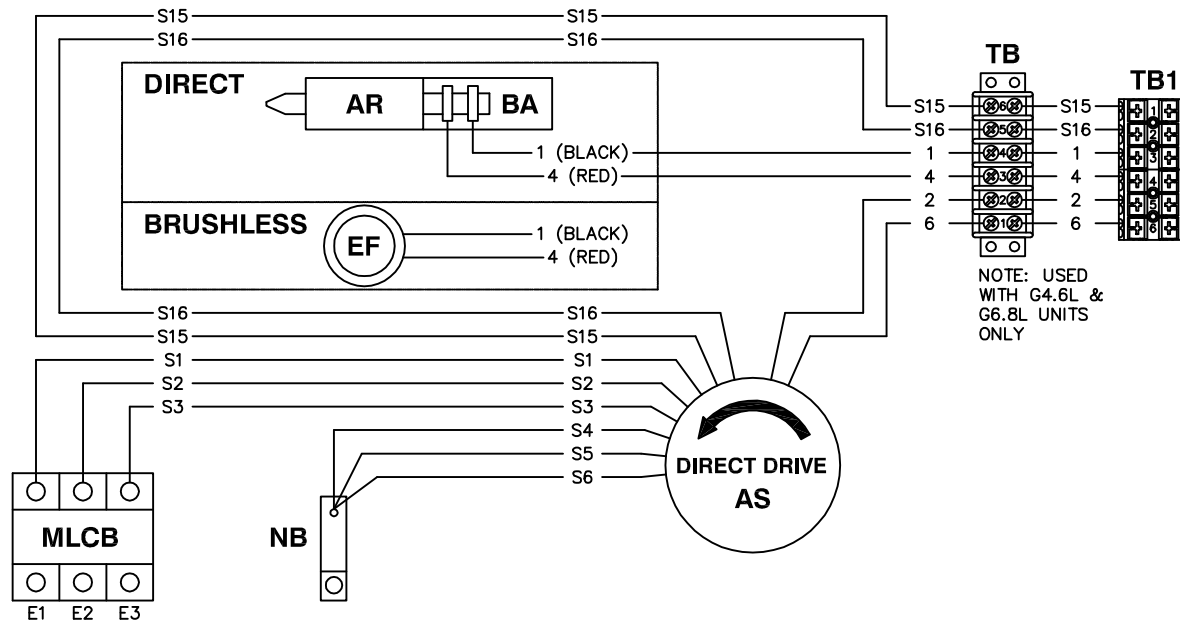
OPTION 1 - SINGLE PHASE, CPL CONTROL PANEL



OPTION 2 - THREE PHASE, CPL CONTROL PANEL, 120/208V



OPTION 3 - THREE PHASE, CPL CONTROL PANEL, 6-WIRE 277/480V



GENERATOR OUTPUT CUSTOMER CONNECTIONS

E1 TO E2] *480VAC OR *400VAC
 E2 TO E3]
 E1 TO E3]

E1, E2 OR E3 TO NB = *277VAC OR *231VAC

*NOTE: THE 8TH DIGIT OF THE MODEL NUMBER SPECIFIES OUTPUT VOLTAGE

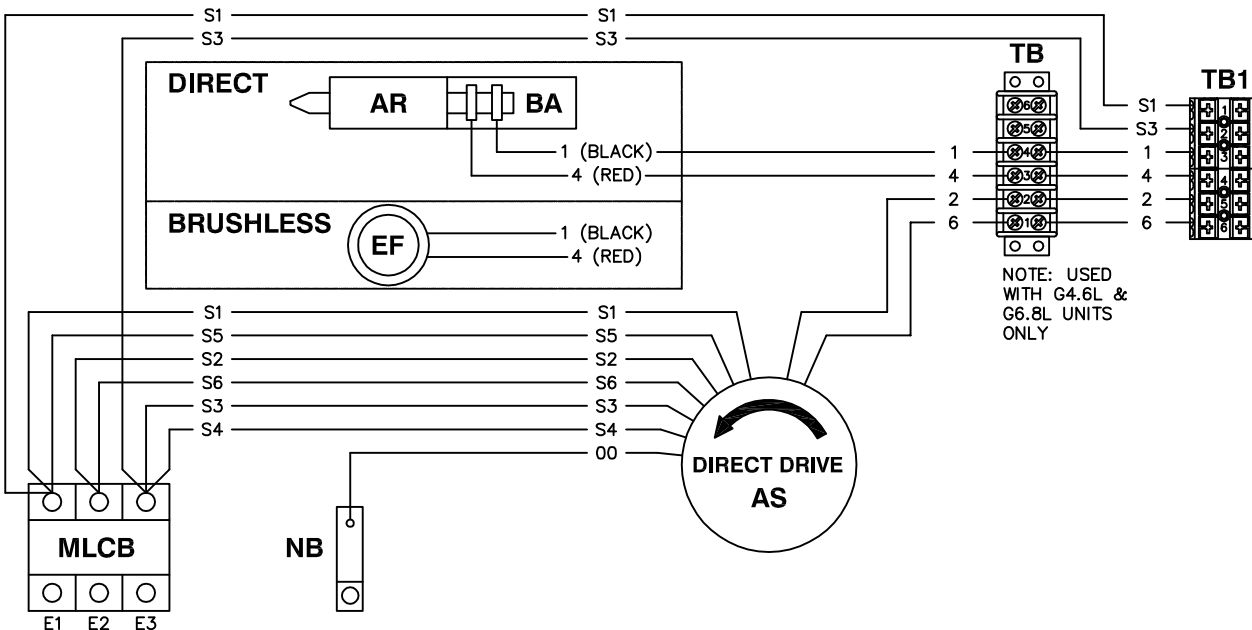
"K" = 277/480VAC 60HZ

"R" = 231/400VAC 50HZ

LEGEND

- AR - ALTERNATOR ROTOR
- AS - ALTERNATOR STATOR
- BA - BRUSH ASSEMBLY
- EF - EXCITER FIELD
- MLCB - MAIN LINE CIRCUIT BREAKER
- NB - NEUTRAL BLOCK
- TB_ - TERMINAL BLOCK

OPTION 4 - THREE PHASE DELTA, CPL CONTROL PANEL, 7-WIRE 120/240V



GENERATOR OUTPUT CUSTOMER CONNECTIONS

E1 TO E2] *240VAC
 E2 TO E3]
 E1 TO E3]

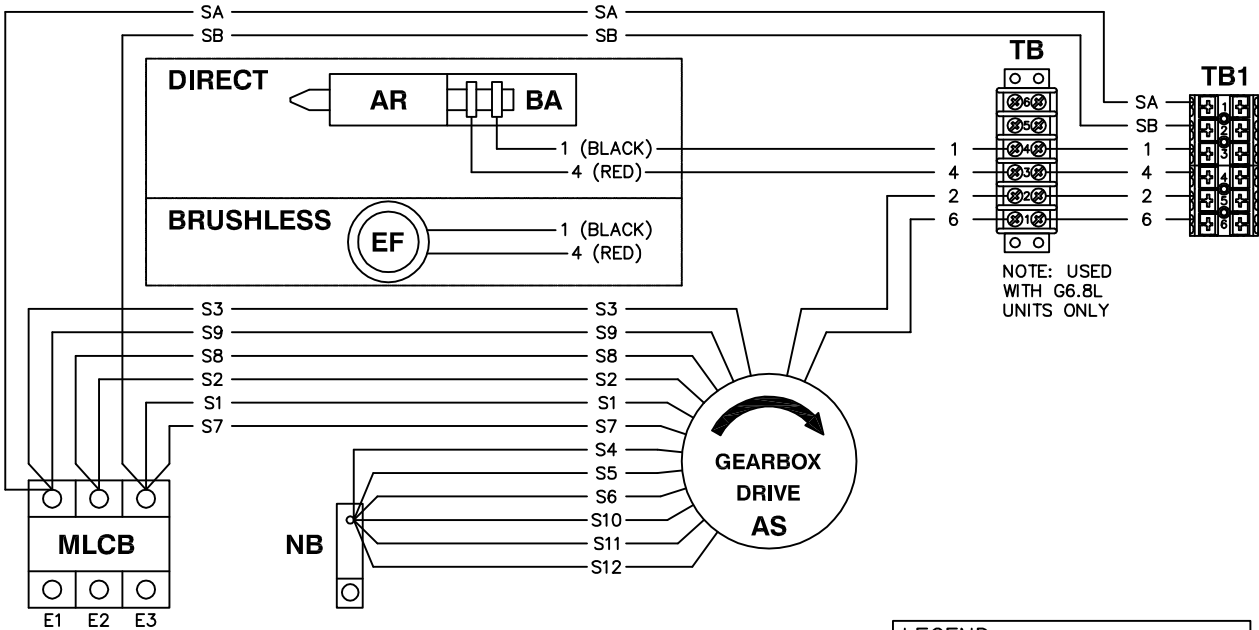
E3-NB = *208VAC

E1 OR E3 TO NB = *120VAC

*NOTE: THE 8TH DIGIT OF THE MODEL NUMBER SPECIFIES OUTPUT VOLTAGE

"J" = 120/240VAC 60HZ

OPTION 5 - THREE PHASE, CPL CONTROL PANEL, GEARBOX (REVERSE ROTATION)



NOTE: USED WITH G6.8L UNITS ONLY

| LEGEND | |
|--------|-----------------------------|
| AR | - ALTERNATOR ROTOR |
| AS | - ALTERNATOR STATOR |
| BA | - BRUSH ASSEMBLY |
| EF | - EXCITER FIELD |
| MLCB | - MAIN LINE CIRCUIT BREAKER |
| NB | - NEUTRAL BLOCK |
| TB_ | - TERMINAL BLOCK |

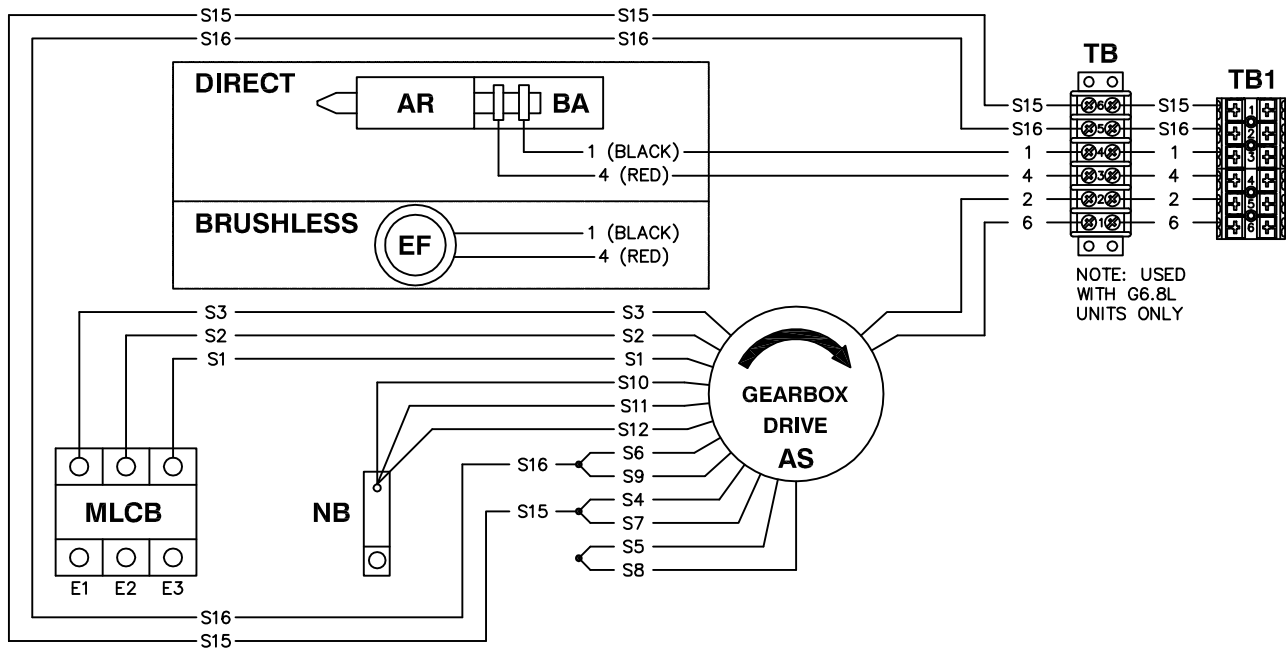
GENERATOR OUTPUT CUSTOMER CONNECTIONS

E1 TO E2
E2 TO E3 } *208VAC
E1 TO E3

E1, E2 OR E3 TO NB = *120VAC

*NOTE: THE 8TH DIGIT OF THE MODEL NUMBER SPECIFIES OUTPUT VOLTAGE
"G" = 120/208VAC 60HZ

OPTION 6 - THREE PHASE, CPL CONTROL PANEL, GEARBOX (REVERSE ROTATION)



NOTE: USED WITH G6.8L UNITS ONLY

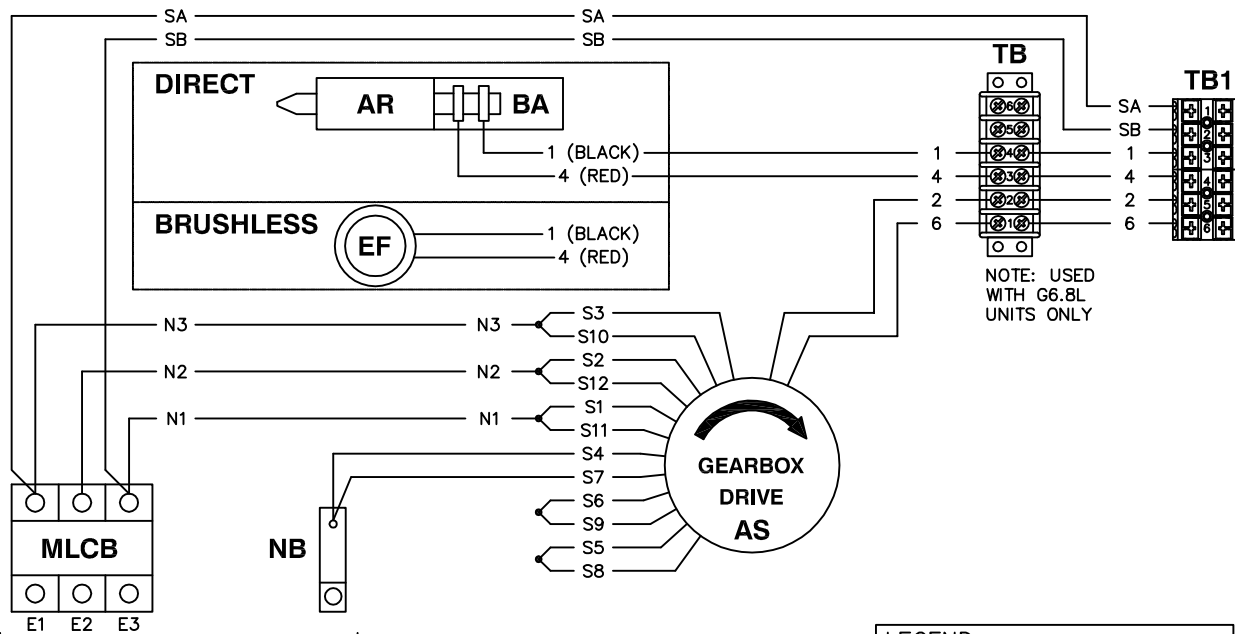
GENERATOR OUTPUT CUSTOMER CONNECTIONS

E1 TO E2
E2 TO E3 } *480VAC
E1 TO E3

E1, E2 OR E3 TO NB = *277VAC

*NOTE: THE 8TH DIGIT OF THE MODEL NUMBER SPECIFIES OUTPUT VOLTAGE
"K" = 277/480VAC 60HZ

OPTION 7 - THREE PHASE SERIES DELTA, CPL CONTROL PANEL, GEARBOX (REVERSE ROTATION)



NOTE: USED WITH G6.8L UNITS ONLY

GENERATOR OUTPUT CUSTOMER CONNECTIONS

E1 TO E2]
 E2 TO E3] *240VAC
 E1 TO E3]
 E2-NB = *208VAC
 E1-NB OR E3-NB = *120VAC

*NOTE: THE 8TH DIGIT OF THE MODEL NUMBER SPECIFIES OUTPUT VOLTAGE
 "J" = 120/240VAC 60HZ

| LEGEND | |
|--------|-----------------------------|
| AR | - ALTERNATOR ROTOR |
| AS | - ALTERNATOR STATOR |
| BA | - BRUSH ASSEMBLY |
| EF | - EXCITER FIELD |
| MLCB | - MAIN LINE CIRCUIT BREAKER |
| NB | - NEUTRAL BLOCK |
| TB_ | - TERMINAL BLOCK |