

ITEM #	PART #	QTY	DESCRIPTION	
1	0C2237	1	XFRSW HSB 100A 2P 250V	
2	074908	4	SCREW HHTT M5-0.8 X 10 BP	
3	077033	6	LUG SLDLSS 1/0-#14X9/16 AL/CU	
4	0G7624	6	SCREW PPHM #10-32 X 5/16	
5	022152	6	WASHER LOCK #10	
6	0A1495	2	SCREW HHTT M4-0.7 X 10 BP	
7	074138	1	LUG DIS OK N1-S 10X45 DEG BR/T	
**	8	0K0103	1	RELAY PNL 12VDC DPDT 10A@240VA
**	9	0D2572	1	FUSEBLOCK 30A 600V 3POS W/SO
10	073590A	3	FUSE 5A X BUSS	
**	11	0D7393T	1	TERM BLOCK 3P UL 12-20AWG
12	0K0124	2	SCREW PHTT M3-0.5 X 25	
13	0K0108	1	ASSY-NEUT BLK 100A	
14	090388	2	SCREW HHTT M6-1.0 X 12 ZINC	
15	0K01120ALOR	1	ENCLOSURE 100/200A XFER SW_RAW	
16	0K01130ALOR	1	COVER 100A XFER SWITCH_INST_RAW	
17	0K0114	1	SUBPLATE, 100/200A XFER SW	
18	0J4908	1	DECAL CUSTOMER CONN RTS	
19	0G8411	6	NUT HEX FL WHIZ 1/4-20	
20	0A9457	1	DECAL, NEUTRAL	
21	0A9517	1	DECAL MANUAL 5A FUSE	
*	22	0K1098	1	DECAL RTS TRANSFER SW GENERAC
23	0K1800	1	DECAL TEST SEQUENCE 100/200A NON	
24	0G3274	1	DECAL LIVE CIRCUIT ENG/FRN/SPN	
25	0H6389	1	DECAL UTILITY LOAD SENSE 240V	
26	0J8202	1	LUG SLDLSS 2/0-#14X#10-32X.125	
27	026850	2	WASHER LOCK EXT 1/4 STL	
28	022473	4	WASHER FLAT 1/4-M6 ZINC	
*	29	0K1799A	1	DECAL DATA NON SE SW 100A
30	085296	1	SCREW HHC 1/4-20 X 1/2 SS	
31	0D6162	2	RIVET POP .156 X .362 AL	
***	32	0E6155	1	PIN ARM EXTENDER
33	0E6193	1	BRACKET, ARM EXTENDER	
34	0F2659	2	SCREW HHTT M3-0.5 X 6 BP	
35	0A2115	1	WASHER NYLON .257	
36	0K9467	1	LIMIT SWITCH SPST 16A	
37	0K9468	2	SCREW PPH M3X15 SEMS	
38	0K9496	1	WIRING HARNESS HSB (NOT SHOWN)	
39	058000E	1	NUT TRIC 1/4-20 X .525	

**SERIAL NUMBER AND FRONT DECAL PER MODEL
 **SUPPLIED WITH HARNESS ITEM #38
 ***SUPPLIED WITH TRANSFER SWITCH

PART NUMBER	DESCRIPTION	ITEM # 29	ITEM # 22
OK9474	ASSEMBLY 200A 120/240 NON SE	OK1799A	PER MODEL
OK9474A	EXPLODED VIEW DRAWING	N/A	N/A
OK9474B	ASSEMBLY 200A 120/240 NON SE	OK1799A	OK1098
OK9474C	ASSEMBLY 200A 120/240 NON SE	OJ3806A	OK1274

GENERAL TOLERANCES UNLESS NOTED

ALL XX : ± 0.4 MM	THIRD ANGLE PROJECTION
XXX : ± 0.4 MM	
XXXX : ± 0.8 MM	
ALL AND : ± .1	

INTERPRET DIM AND TOL PER ASME Y14.5M-1994

ISSUE DATE: _____

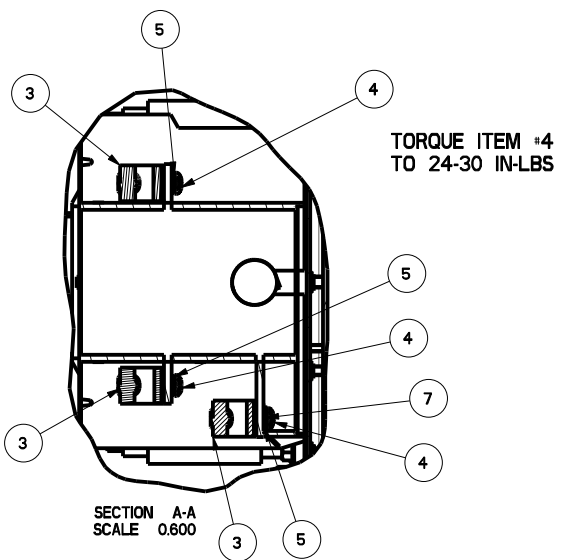
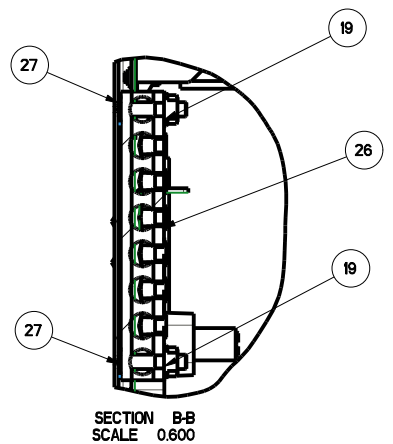
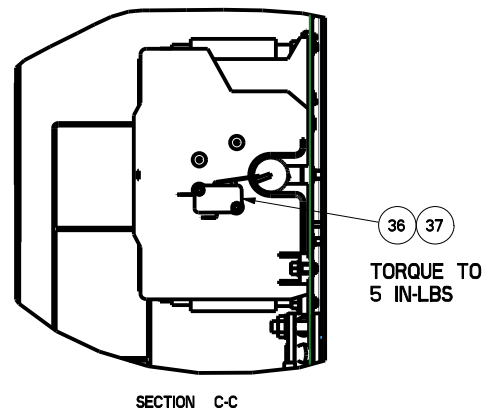
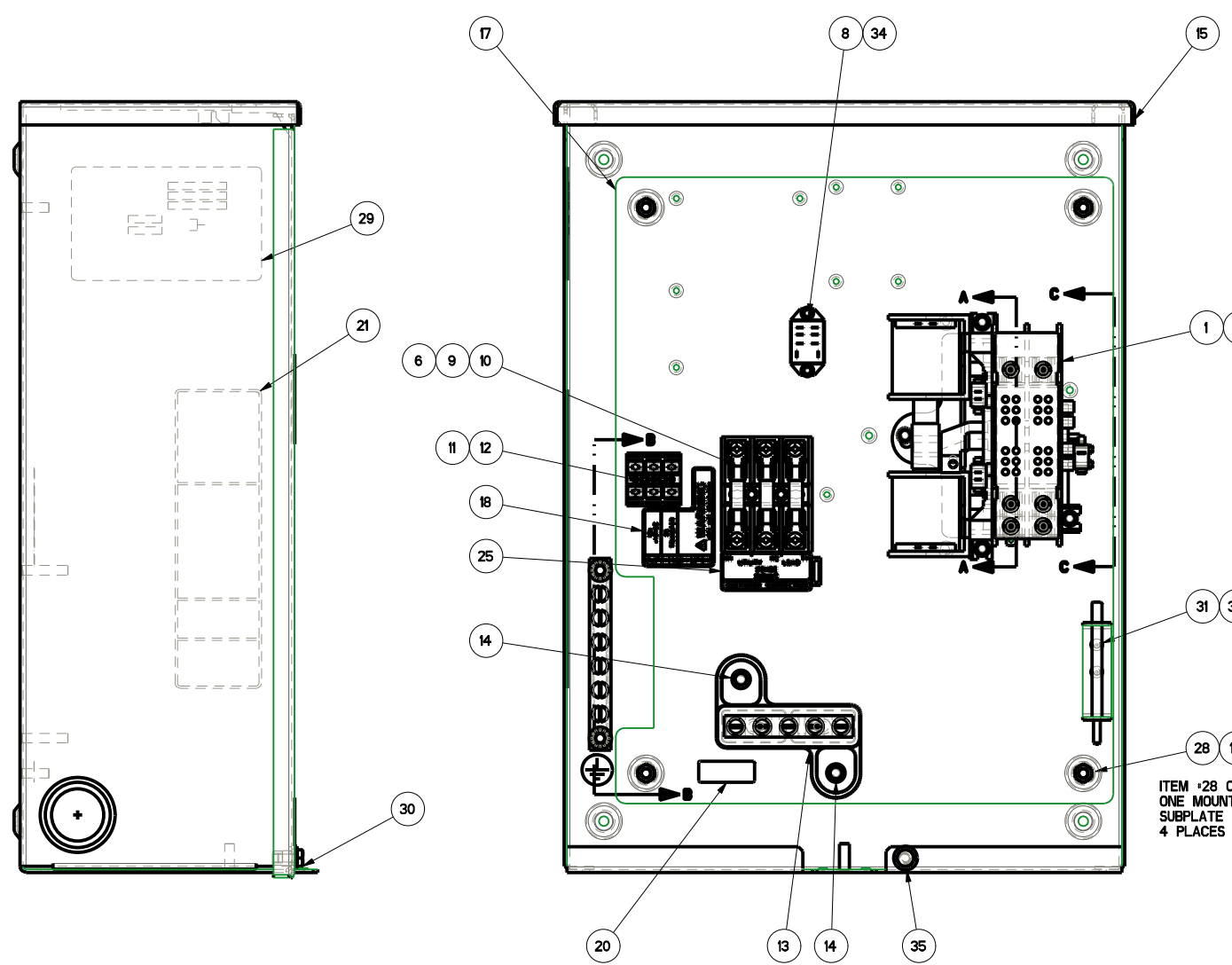
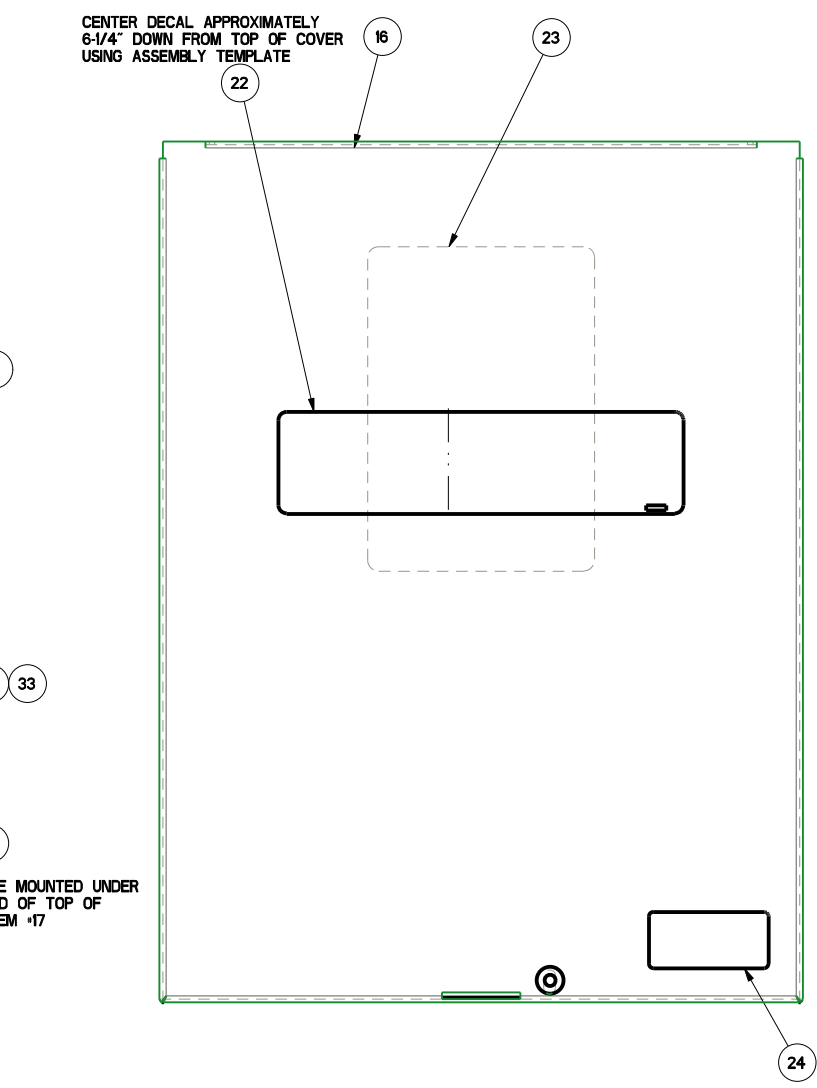
SCALE 0.450 WT-KG 19.887 SHEET 1 of 1

GENERAL

TITLE: ASSEMBLY DWG 2-POLE 100A 120/240V

SIZE: D CAGE NO: N/A DWG NO: **OK9474S** REV: B

ELECTRONICALLY APPROVED INSIDE WINDCHILL



REFERENCE DRAWINGS
 OK9491 SCHEMATIC/WIRING DIAGRAMS
 OF6778 CARTON 30"5 X 14"2 X 7"8
 OH7275 TEST PROC HSB XFRSW
 OK0115 KIT ENCL 100/200A NON SE AL

GENERAL ASSEMBLY DRAWING

DRAWING CREATED FROM PROVENIENCE
 3D FILE. ECO MODIFICATION TO BE
 APPLIED TO SOLID MODEL ONLY.