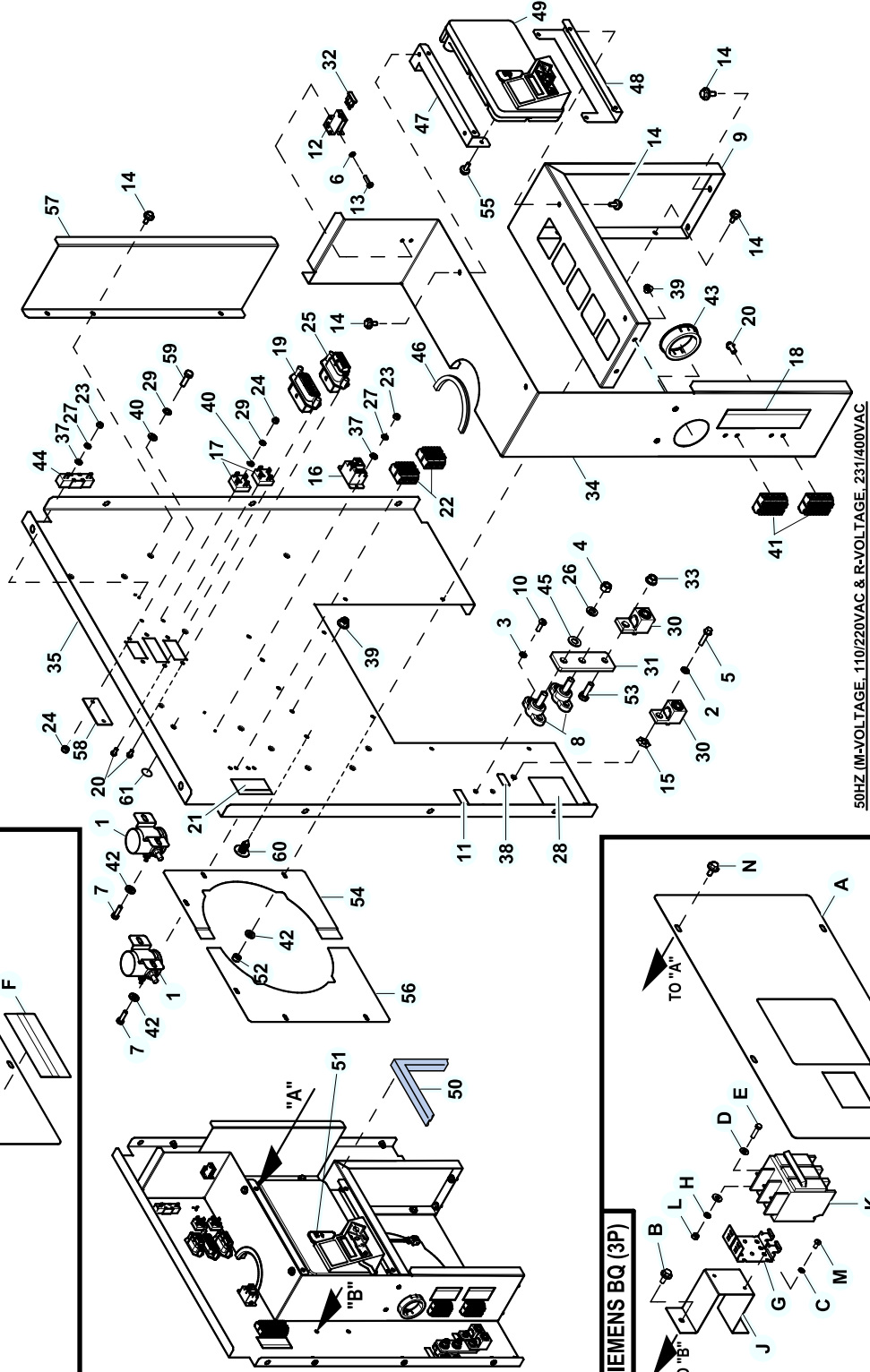
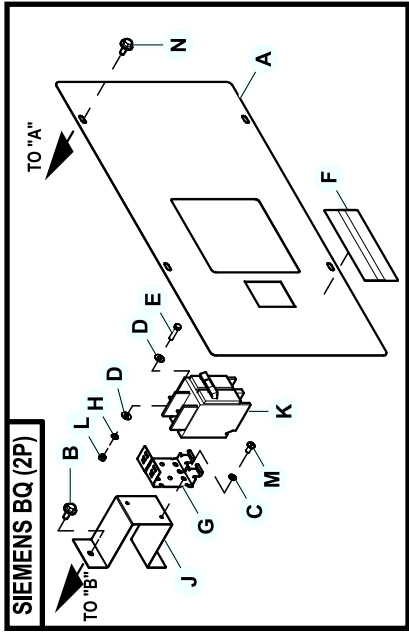
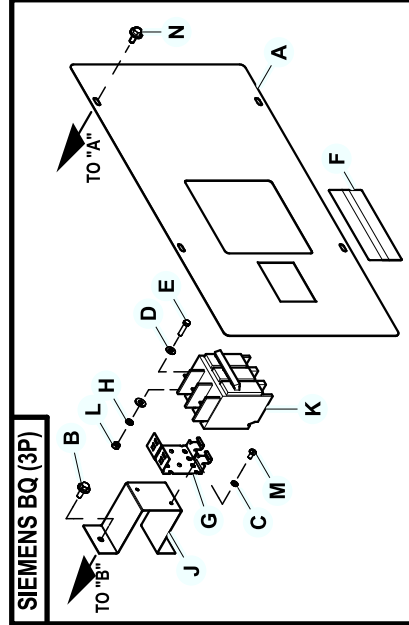
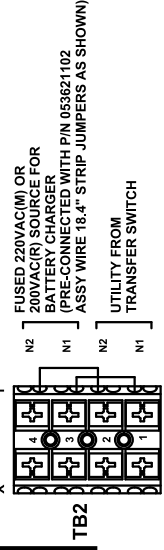


GROUP A



50HZ (M-VOLTAGE, 110/220VAC & R-VOLTAGE, 231/400VAC)



EXPLODED VIEW: EV CONNECTION BOX C1 CPL

DRAWING #:0K6829

GROUP A

ITEM	PART#	QTY.	DESCRIPTION
1	G056739	2	RELAY SOLENOID 12VDC PNL MNT
2	G022097	1	WASHER LOCK M6-1/4
3	G022264	4	WASHER LOCK #8-M4
4	G022241	2	NUT HEX 3/8-16 STEEL
5	0G3111	1	SCREW HHTT M6-1.0 X 25 ZINC
6	G022155	2	WASHER LOCK #6
7	G042568	4	SCREW HHC M6-1.0 X 20 C8.8
8	G057073	2	JUNCTION BLOCK 3/8-16
9	0K2513	1	CONNECTION BOX RH SIDE C1 CPL
10	0C2265	4	SCREW PHTT M4-0.7 X 12 ZP
11	0A9457	1	DECAL, NEUTRAL
(2)12	0F1262	1(REF)	HOLDER FUSE WICKMANN ATO STYLE
	0F1263	1(REF)	ADAPTER RH SIDE WICKMANN
	0F1264	1(REF)	ADAPTER LH SIDE WICKMANN
13	0C2428	2	SCREW PHTT #6-32 X 1/2 ZYC
14	0E3257	26	SCREW HWHTF M6-1.0 X 16
15	0A1658	1	WASHER LOCK SPECIAL 1/4"
16	0K2098	1	RELAY 12V 30A SPST PILOT DUTY
17	0D7177V	2	DIODE BRIDGE 1P 35A 1000V
18	A0000116161	1	DECAL TB2/TB3 CUSTOMER POWER CONN 50HZ
	A0000116162	1	DECAL TB2/TB3 CUSTOMER POWER CONN 60HZ
(2)19	0F540500AR	1(REF)	MX150L RRMNT PLG 16P W/O G A
20	0F5458	8	SCREW HHSP #10 X 3/8 HI-LOW
21	0H7293	1	DECAL CONBOX TB1 CONNECTIONS
(2)22	0D7393T	2(REF)	TERM BLOCK 3P UL 12-20AWG
23	G051714	3	NUT HEX M3-0.5 G8 CLEAR ZINC
24	G051716	4	NUT HEX M5-0.8 G8 CLEAR ZINC
(2)25	0F5396S0AR	1(REF)	MX150L SLRRMNT 22-18 12P W/OGA
26	G022237	2	WASHER LOCK 3/8
27	G043182	3	WASHER LOCK M3
28	0H8006	1(REF)	DECAL CAUTION ELEC SHOCK SM
29	G049226	4	WASHER LOCK M5
30	0F8451	2	LUG SLDLSS 300 MCM-6 AL/CU
31	0H9690	1	BUS BAR NTRL BLK 15-250A
(2)32	0E7403C	1(REF)	FUSE ATO TYPE 15 AMP (BLUE)
33	G067989	1	NUT HEX FL WHIZ M8-1.25
34	0K8829	1	CONNECTION BOX CENTER C1
35	0K6837	1	PANEL CONNECTION BOX BACK C1
36	---	---	-----
37	052777	3	WASHER FLAT M3
38	067210A	1	DECAL GROUND LUG (60HZ UNITS)
	0G8785	1	DECAL, GROUNDING ELECTRODE (50HZ UNITS)
39	0D3700	6	NUT FLANGE M6-1.0 NYLOK
40	G051713	4	WASHER FLAT M5
(2)41	0D7393U	2(REF)	TERM BLOCK 4P UL 12-20AWG
42	G022473	10	WASHER FLAT 1/4-M6 ZINC
43	023484N	1	BUSHING SNAP SB-2.5-31
44	0F5752J	1	RES WW 10R 5% 25W QK CONN
45	G022131	2	WASHER FLAT 3/8-M10 ZINC
46	G056326	1	TRIM VINYL BLACK 1/8GP (6" LG)
47	0K3257	1	CONTROLLER TOP STANDOFF
48	0K3258	1	CONTROLLER BOTTOM STANDOFF
49	0K2267B	1	ASSY CONTROLLER COMPACT DIESEL
50	G052250	1	TAPE FOAM 1X1 (43" LG)
(3)51	0D7178T	1(REF)	FUSE ATO TYPE 7.5AMP (BROWN)
52	G077992	6	NUT HEX LOCK M6-1.0 SS NY INS
53	G043107	1	SCREW HHC M8-1.25 X 25 C8.8
54	0K7115	1	WATER BLOCK OFF ALTERNATOR LT
55	G090388	4	SCREW HHTT M6-1.0 X 12 ZINC
56	0K7116	1	WATER BLOCK OFF ALTERNATOR RT
57	0K5555A	1	DEFLECTOR AIR INTAKE C1/C2
58	0K8740	1	10 PIN CONN BLOCK OFF PLATE
59	G049815	2	SCREW HHC M5-0.8 X 16 G8.8
60	0C3397	1	SCREW RATCHET BLK NYLON
61	0F6145	A/R	SEAL WEATHER .63"DIA

EXPLODED VIEW: EV CONNECTION BOX C1 CPL

DRAWING #:0K6829

GROUP A

ITEM	PART#	QTY.	DESCRIPTION
SIEMENS BQ (2P)			
(1)A	0K3142AST0R	1	CONN BOX CONTROL COVER PANEL 2P
B	0E3257	2	SCREW HWHTF M6-1.0 X 16
C	G022264	2	WASHER LOCK #8-M4
D	G023897	4	WASHER FLAT #10 ZINC
E	G052619	2	SCREW HHC M5-0.8 X 20 G8.8
F	0G3259	1	DECAL TERMINAL SHOCK HZD BI
G	0E7890	1	BRKT CB MTG BACK
H	G049226	2	WASHER LOCK M5
J	0K3089	1	CIRCUIT BREAKER STANDOFF C1
K	0D5544	1	CB 0100A 2P 240V S BQ2 LL
	0D5541	1	CB 0070A 2P 240V S BQ2 LL
L	G051716	2	NUT HEX M5-0.8 G8 CLEAR ZINC
M	0C2265	2	SCREW PHTT M4-0.7 X 12 ZP
N	0C2454	4	SCREW HWHT M6-1 X 16 N WA Z/JS
SIEMENS BQ (3P)			
(1)A	0K31420ST0R	1	CONN BOX CONTROL COVER PANEL 3P
B	0E3257	2	SCREW HWHTF M6-1.0 X 16
C	G022264	2	WASHER LOCK #8-M4
D	G023897	4	WASHER FLAT #10 ZINC
E	G052619	2	SCREW HHC M5-0.8 X 20 G8.8
F	0G3259	1	DECAL TERMINAL SHOCK HZD BI
G	0E7890	1	BRKT CB MTG BACK
H	G049226	2	WASHER LOCK M5
J	0K3089	1	CIRCUIT BREAKER STANDOFF C1
K	G049942	1	CB 0050A 3P 240V S BQ3 LL
	G040533	1	CB 0060A 3P S 240V BQ3 LL
	G049135	1	CB 0070A 3P 240V S BQ3 LL
	G062812	1	CB 0080A 3P 240V S BQ3 LL
L	051716	2	NUT HEX M5-0.8 G8 CLEAR ZINC
M	0C2265	2	SCREW PHTT M4-0.7 X 12 ZP
N	0C2454	4	SCREW HWHT M6-1 X 16 N WA Z/JS

NOTES (UNLESS OTHERWISE SPECIFIED):

(1) SHEET METAL PARTS LISTED IN THE BOM TABLE ARE REPRESENTING GENERIC PARTS (NO COLOR)

- MANUFACTURING: FOR CORRECT MATERIAL AND COLOR REFER TO AS400 BOM.
- CUSTOMER: WHEN ORDERING REPLACEMENT PARTS ENTER BASE NUMBER (FIRST 6 DIGITS ONLY) IN THE SYSTEM FOR CORRECT MATERIAL AND COLOR (FOR REFERENCE SEE GUIDELINE 0H7169).

(2) ITEM INCLUDED WITH HARNESS P/N 0K2566.

(3) ITEM INCLUDED WITH CONTROLLER P/N 0K2267B.

EXPLODED VIEW: EV CONNECTION BOX C1 CPL

DRAWING #:0K6829

GROUP A

ITEM	PART#	QTY.	DESCRIPTION
-------------	--------------	-------------	--------------------

This page left blank intentionally