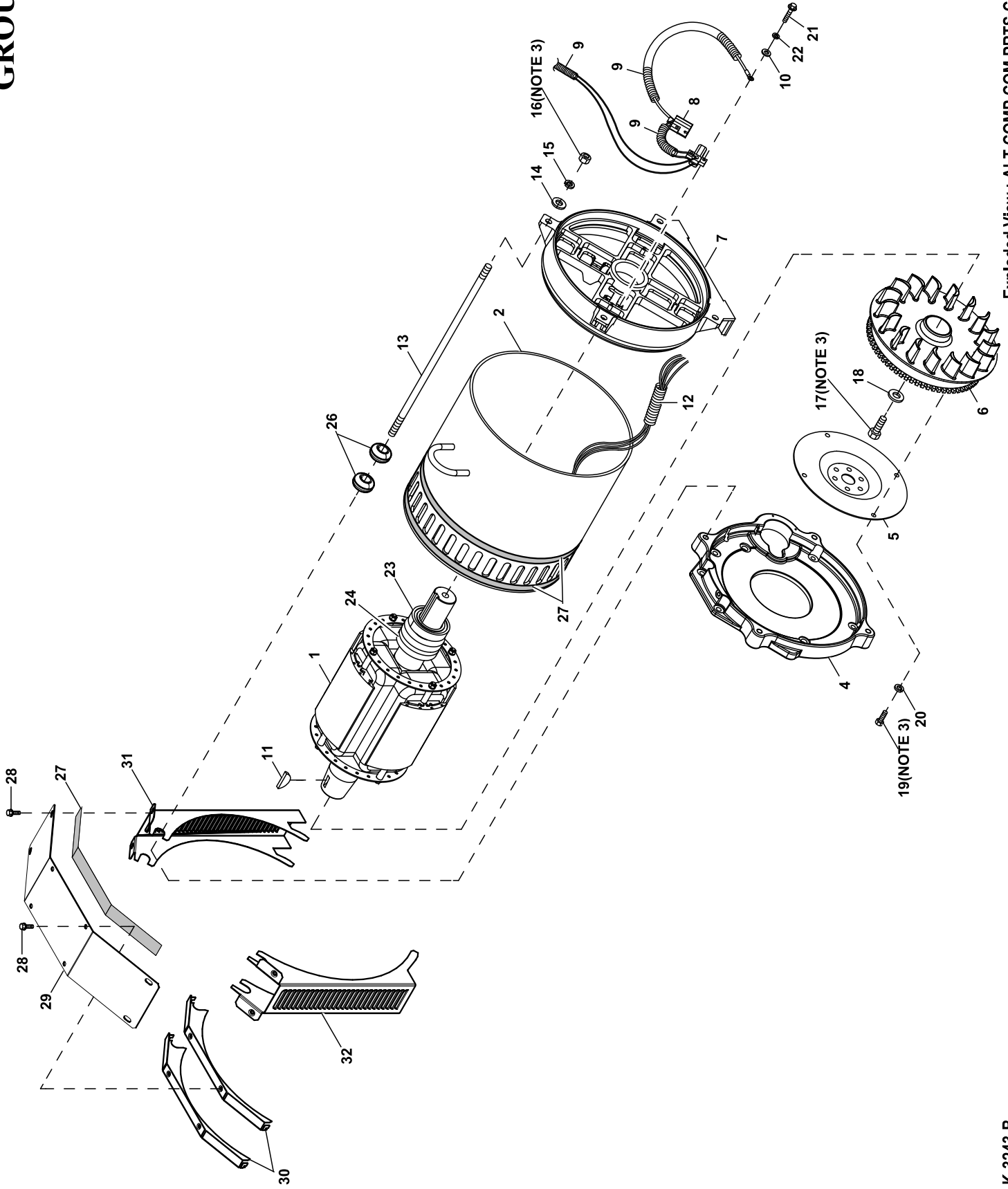


# GROUP A



**EXPLODED VIEW: ALT COMP COM PRTS C2 CPL**

**DRAWING #: 0K6518**

**GROUP A**

ITEM	PART#	QTY.	DESCRIPTION
1	0K9015	1	RTR-2390-36AD1 CPL
	0K9017	1	RTR-2390-60AD1 CPL
	0G0959	1	ASSY RTR 2390 45KD1 CPL
	0G3734	1	RTR-2390-60KD2 CPL
	0K9674	1	RTR 390 38 AD1 PROT GAS (APPLICABLE TO 32 & 38KW A VOLTAGE CODE)
	0K9682	1	RTR 390 48 AD1 PROT GAS
	0K9729	1	RTR 390 38 GD1 PROT GAS (APPLICABLE TO 32 & 38KW G, J AND K VOLTAGE CODE)
	0K9730	1	RTR 390 50 GD1 PROT GAS
	0L2405	1	RTR-2390-45 AD1 CPL
2	0K8993	1	STR-2390-36 AD1 PROT GAS
	0K8994	1	STR-2390-60AD1 PROT GAS
	0G0183	1	STR-2390--45GD1 CPL
	0G3737	1	ASSY STR 390 60KW 2P 3PH 208V
	0G6104	1	STR-2390--45JD1 CPL
	0H0201	1	STR-2390--60JD2 CPL
	0G0184	1	STR-2390--45-KD1 CPL
	0G3738	1	ASSY STR 390 60KW 2P 3PH 480V
	0K9675	1	STR 390 38 AD1 PROT GAS
	0K9679	1	STR 390 38 GD1 PROT GAS (APPLICABLE TO 32 & 38KW G VOLTAGE CODE)
	0K9680	1	STR 390 38 JD1 PROT GAS (APPLICABLE TO 32 & 38KW J VOLTAGE CODE)
	0K9681	1	STR 390 38 KD1 PROT GAS (APPLICABLE TO 32 & 38KW K VOLTAGE CODE)
	0K9683	1	STR 390 48 AD1 PROT GAS
	0K9684	1	STR 390 50 GD1 PROT GAS
	0K9685	1	STR 390 50 JD1 PROT GAS
	0K9686	1	STR 390 50 KD1 PROT GAS
	0L2404	1	STR-2390-45 AD1 PROT GAS
3	0C9708	REF	INSTR HYPOT TEST (NOT SHOWN)
4	SEE ENGINE EV	REF	ENGINE ADAPTER
5	SEE ENGINE EV	REF	FLEXPLATE
6	0F5767B	1	ASSY FLYWHEEL CPL W/40MM FAN B
7	0E5706	1	REAR BEARING CARRIER 390/DRCT
8	0F7874A	1	ASSY BRUSH HOLDER 390/HSB
9	077043A	1	CONDUIT FLEX .38" ID (60")
10	038150	4	WASHER FLAT #8 ZINC
11	023454	1	KEY WOODRUFF #E
12	077043F	1	CONDUIT FLEX 1.25"ID (30" LG)
13	04576100BU	4	STUD M14-2.0 570 G5 ZINC
	(4) 04576100BF	4	STUD M14-2.0 X 540 G5 ZINC
14	052646	4	WASHER FLAT M14
15	043123	4	WASHER LOCK M14
16	051779	4	NUT HEX M14-2.0 G8 YEL CHR
(2) 17	0A2601	1	SCREW HHC M16-2.0 X 45 G8.8
18	072879	1	SPACER .69 X 2.75 X .37 ST/ZNC
(2) 19	059980	4	SCREW HHC M10-1.5 X 25 C10.9
20	046526	4	WASHER LOCK M10
21	0C3992	4	SCREW HHTT M4-0.7 X 16 BP
22	022264	4	WASHER LOCK #8-M4
(1) 23	047248	1	BALL BEARING-45 MM
(1) 24	070892	1	SLIP RING MACHINED
25	029333A	1	TIE WRAP UL 7.4"X .19" BLK (NOT SHOWN)
26	089685	4	GROMMET .75 X .12 X .50 (HIGH SPEED ONLY)
27	089661A	1	FOAM STRIP 3/4"WIDE X 1/4"THK (HIGH SPEED ONLY)

**EXPLODED VIEW: ALT COMP COM PRTS C2 CPL**

**DRAWING #: 0K6518**

**GROUP A**

<b>ITEM</b>	<b>PART#</b>	<b>QTY.</b>	<b>DESCRIPTION</b>
28	0C2454	8	SCREW HWHT M6-1 X 16 N WA Z/JS (HIGH SPEED ONLY)
(6)29	0J81840ST0R	1	SCROLL TOP 390 ALT CPL RAW (HIGH SPEED ONLY)
(6)30	0J8184AST0R	2	SCROLL FT/RR 390 ALT CPL RAW (HIGH SPEED ONLY)
(6)31	0J8184BST0R	1	SCROLL LH/RH 390 ALT CPL RAW (HIGH SPEED ONLY)
(6)32	0L22470ST0R	1	SCROLL LH 390 ALT CPL HSPD RAW (HIGH SPEED ONLY)

NOTES (UNLESS OTHERWISE SPECIFIED :

(1) ROTOR REPLACEMENT PARTS.

(2) APPLY MEDIUM STRENGTH BLUE THREAD LOCKING FLUID TO THREADS.

(3) TORQUE VALUES: (FOR REFERENCE ONLY)

ITEM #16 - 45 ft-lbs.

ITEM #17 - 144 ft-lbs.

ITEM #19 - 56 ft-lbs.

(4) 5.4L ONLY

(5) ALL STANDARD HARDWARE TO BE TORQUED PER EDS001.

(6) SHEET METAL PARTS LISTED IN THE BOM TABLE ARE REPRESENTING GENERIC PARTS (NO COLOR)

- MANUFACTURING: FOR CORRECT MATERIAL AND COLOR REFER TO XA BOM.
- CUSTOMER: WHEN ORDERING REPLACEMENT PARTS ENTER BASE NUMBER (FIRST 6 DIGITS ONLY) IN THE SYSTEM FOR CORRECT MATERIAL AND COLOR (FOR REFERENCE SEE GUIDELINE 0H7169).

**EXPLODED VIEW: ALT COMP COM PRTS C2 CPL**

**DRAWING #: 0K6518**

**GROUP A**

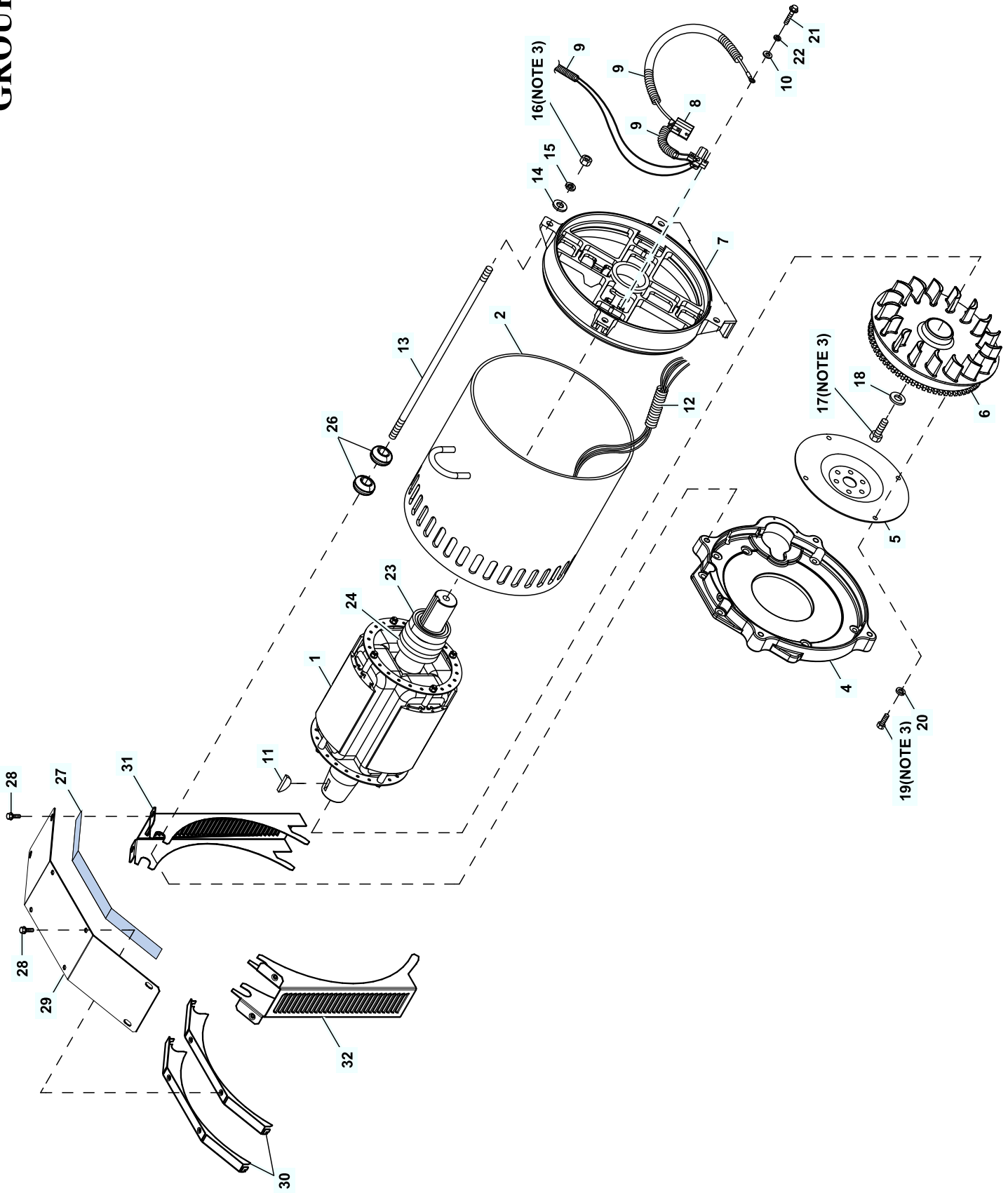
---

<b>ITEM</b>	<b>PART#</b>	<b>QTY.</b>	<b>DESCRIPTION</b>
-------------	--------------	-------------	--------------------

---

This page left blank intentionally

# GROUP A



**EXPLODED VIEW: ALT COMP COM PRTS C2 CPL**

**DRAWING #: 0K6518**

**GROUP A**

ITEM	PART#	QTY.	DESCRIPTION
1	0K9015	1	RTR-2390-45AD1 CPL
	0K9017	1	RTR-2390-60AD1 CPL
	0G0959	1	ASSY RTR 2390 45KD1 CPL
	0G3734	1	RTR-2390-60KD2 CPL
	0K9674	1	RTR 390 38 AD1 PROT GAS (APPLICABLE TO 32 & 38KW A VOLTAGE CODE)
	0K9682	1	RTR 390 48 AD1 PROT GAS
	0K9729	1	RTR 390 38 GD1 PROT GAS (APPLICABLE TO 32 & 38KW G, J AND K VOLTAGE CODE)
	0K9730	1	RTR 390 50 GD1 PROT GAS
2	0K8993	1	STR-2390-45 AD1 PROT GAS
	0K8994	1	STR-2390-60AD1 PROT GAS
	0G0183	1	STR-2390--45GD1 CPL
	0G3737	1	ASSY STR 390 60KW 2P 3PH 208V
	0G6104	1	STR-2390--45JD1 CPL
	0H0201	1	STR-2390--60JD2 CPL
	0G0184	1	STR-2390--45-KD1 CPL
	0G3738	1	ASSY STR 390 60KW 2P 3PH 480V
	0K9675	1	STR 390 38 AD1 PROT GAS
	0K9679	1	STR 390 38 GD1 PROT GAS (APPLICABLE TO 32 & 38KW G VOLTAGE CODE)
	0K9680	1	STR 390 38 JD1 PROT GAS (APPLICABLE TO 32 & 38KW J VOLTAGE CODE)
	0K9681	1	STR 390 38 KD1 PROT GAS (APPLICABLE TO 32 & 38KW K VOLTAGE CODE)
	0K9683	1	STR 390 48 AD1 PROT GAS
	0K9684	1	STR 390 50 GD1 PROT GAS
	0K9685	1	STR 390 50 JD1 PROT GAS
	0K9686	1	STR 390 50 KD1 PROT GAS
3	0C9708	REF	INSTR HYPOT TEST (NOT SHOWN)
4	SEE ENGINE EV	REF	ENGINE ADAPTER
5	SEE ENGINE EV	REF	FLEXPLATE
6	0F5767B	1	ASSY FLYWHEEL CPL W/40MM FAN B
7	0E5706	1	REAR BEARING CARRIER 390/DRCT
8	0F7874A	1	ASSY BRUSH HOLDER 390/HSB
9	077043A	1	CONDUIT FLEX .38" ID (60")
10	038150	4	WASHER FLAT #8 ZINC
11	023454	1	KEY WOODRUFF #E
12	077043F	1	CONDUIT FLEX 1.25"ID (30" LG)
13	04576100BU	4	STUD M14-2.0 570 G5 ZINC
	(4) 04576100BF	4	STUD M14-2.0 X 540 G5 ZINC
14	052646	4	WASHER FLAT M14
15	043123	4	WASHER LOCK M14
16	051779	4	NUT HEX M14-2.0 G8 YEL CHR
(2) 17	0A2601	1	SCREW HHC M16-2.0 X 45 G8.8
18	072879	1	SPACER .69 X 2.75 X .37 ST/ZNC
(2) 19	059980	4	SCREW HHC M10-1.5 X 25 C10.9
20	046526	4	WASHER LOCK M10
21	0C3992	4	SCREW HHTT M4-0.7 X 16 BP
22	022264	4	WASHER LOCK #8-M4
(1) 23	047248	1	BALL BEARING-45 MM
(1) 24	070892	1	SLIP RING MACHINED
25	029333A	1	TIE WRAP UL 7.4"X .19" BLK (NOT SHOWN)
26	089685	4	GROMMET .75 X .12 X .50 (HIGH SPEED ONLY)
27	089661A	1	FOAM STRIP 3/4"WIDE X 1/4"THK (HIGH SPEED ONLY)

**EXPLODED VIEW: ALT COMP COM PRTS C2 CPL****DRAWING #: 0K6518****GROUP A**

<b>ITEM</b>	<b>PART#</b>	<b>QTY.</b>	<b>DESCRIPTION</b>
28	0C2454	8	SCREW HWHT M6-1 X 16 N WA Z/JS (HIGH SPEED ONLY)
(6)29	0J81840ST0R	1	SCROLL TOP 390 ALT CPL RAW (HIGH SPEED ONLY)
(6)30	0J8184AST0R	2	SCROLL FT/RR 390 ALT CPL RAW (HIGH SPEED ONLY)
(6)31	0J8184BST0R	1	SCROLL LH/RH 390 ALT CPL RAW (HIGH SPEED ONLY)
(6)32	0L22470ST0R	1	SCROLL LH 390 ALT CPL HSPD RAW (HIGH SPEED ONLY)

## NOTES (UNLESS OTHERWISE SPECIFIED :

(1) ROTOR REPLACEMENT PARTS.

(2) APPLY MEDIUM STRENGTH BLUE THREAD LOCKING FLUID TO THREADS.

(3) TORQUE VALUES: (FOR REFERENCE ONLY)

ITEM #16 - 45 ft-lbs.

ITEM #17 - 144 ft-lbs.

ITEM #19 - 56 ft-lbs.

(4) 5.4L ONLY

(5) ALL STANDARD HARDWARE TO BE TORQUED PER EDS001.

(6) SHEET METAL PARTS LISTED IN THE BOM TABLE ARE REPRESENTING GENERIC PARTS (NO COLOR)

- MANUFACTURING: FOR CORRECT MATERIAL AND COLOR REFER TO XA BOM.
- CUSTOMER: WHEN ORDERING REPLACEMENT PARTS ENTER BASE NUMBER (FIRST 6 DIGITS ONLY) IN THE SYSTEM FOR CORRECT MATERIAL AND COLOR (FOR REFERENCE SEE GUIDELINE 0H7169).

---

<b>ITEM</b>	<b>PART#</b>	<b>QTY.</b>	<b>DESCRIPTION</b>
-------------	--------------	-------------	--------------------

---

This page left blank intentionally