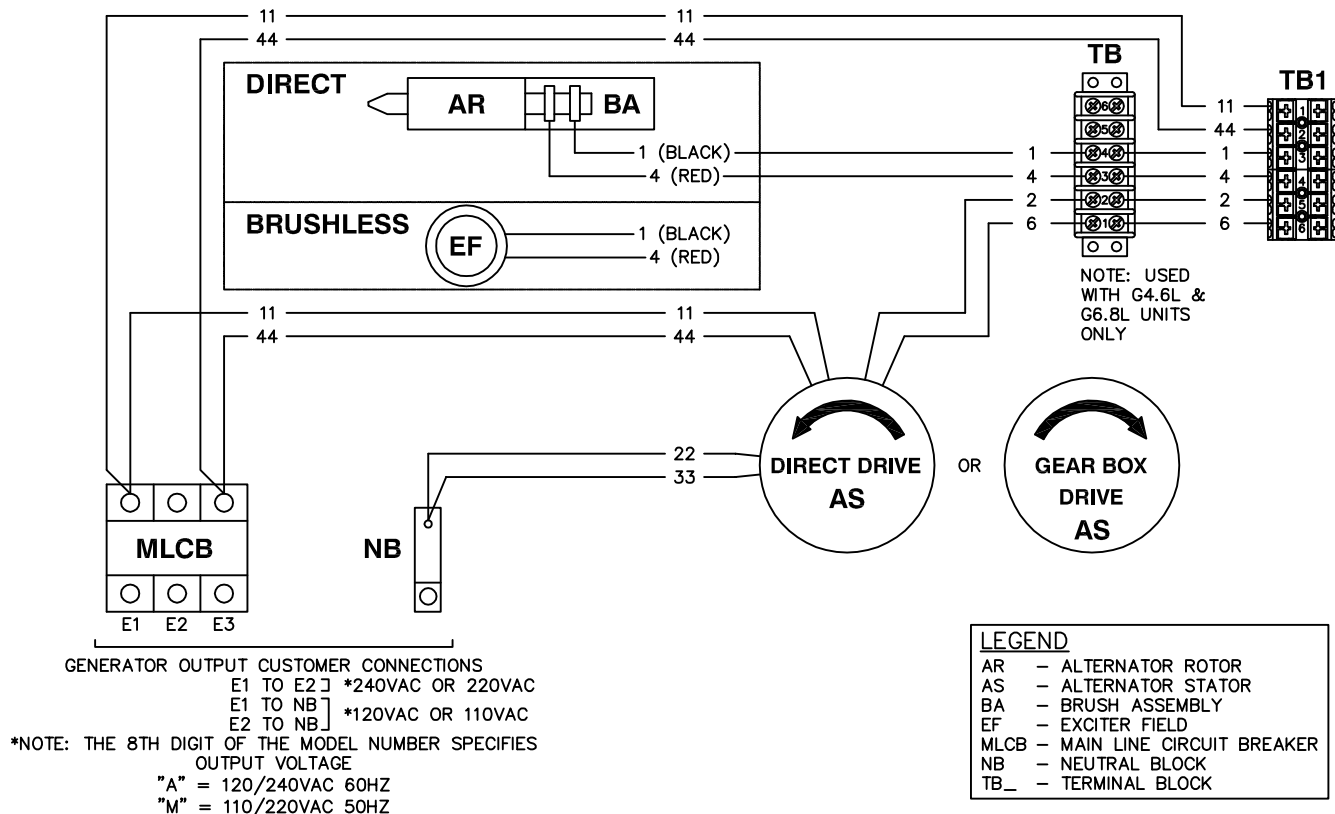
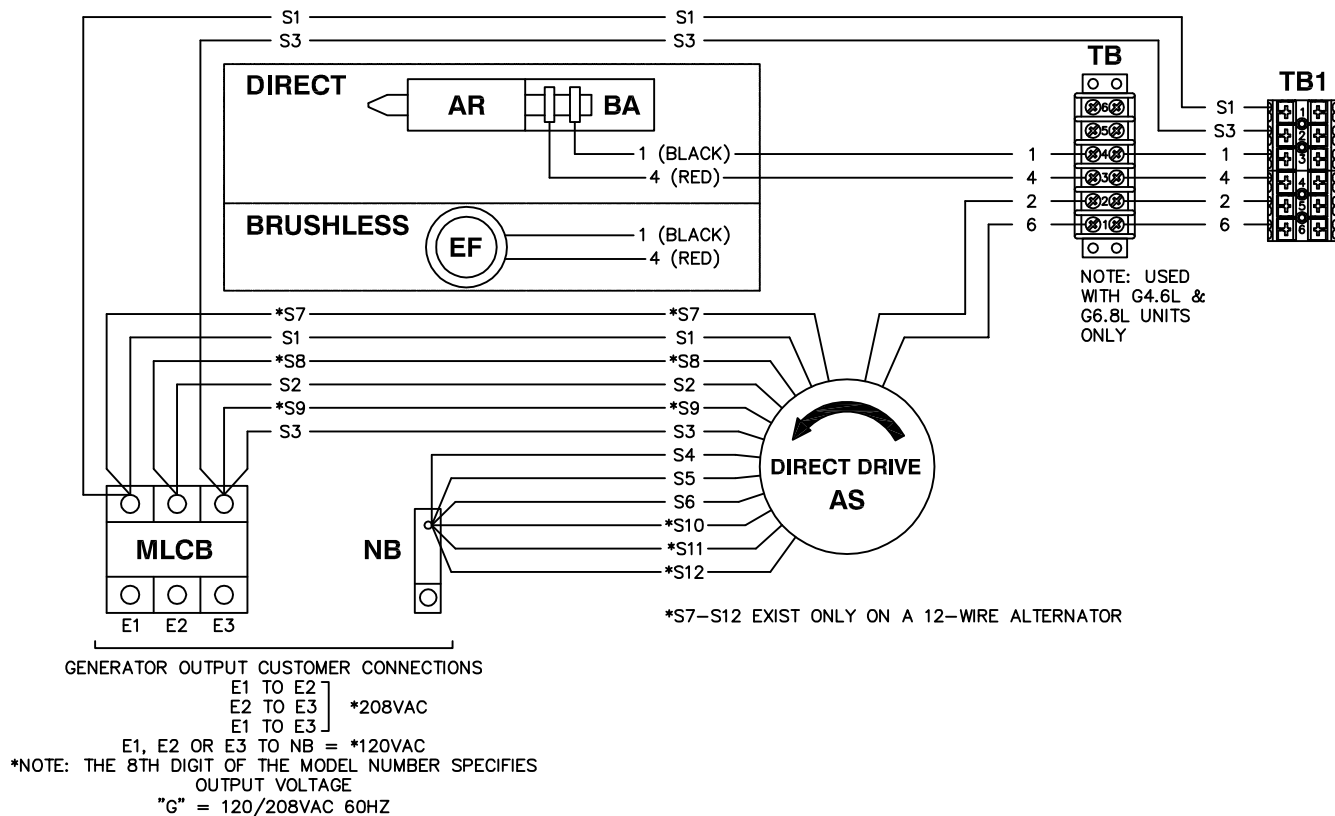


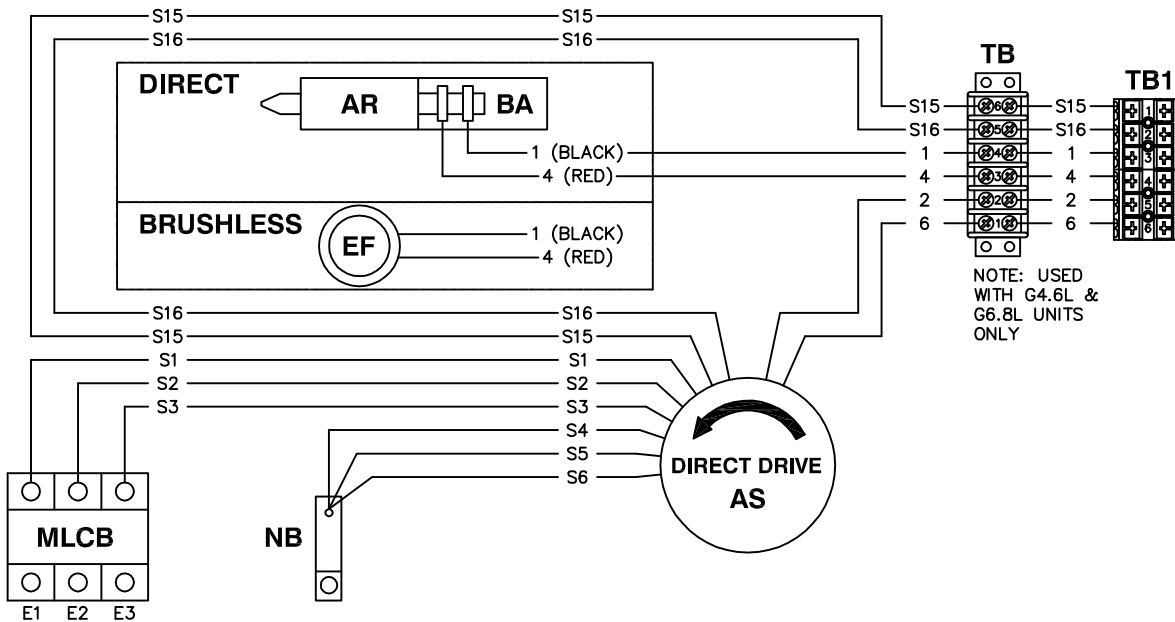
OPTION 1 - SINGLE PHASE, CPL CONTROL PANEL



OPTION 2 - THREE PHASE, CPL CONTROL PANEL, 120/208V



OPTION 3 - THREE PHASE, CPL CONTROL PANEL, 6-WIRE 277/480V

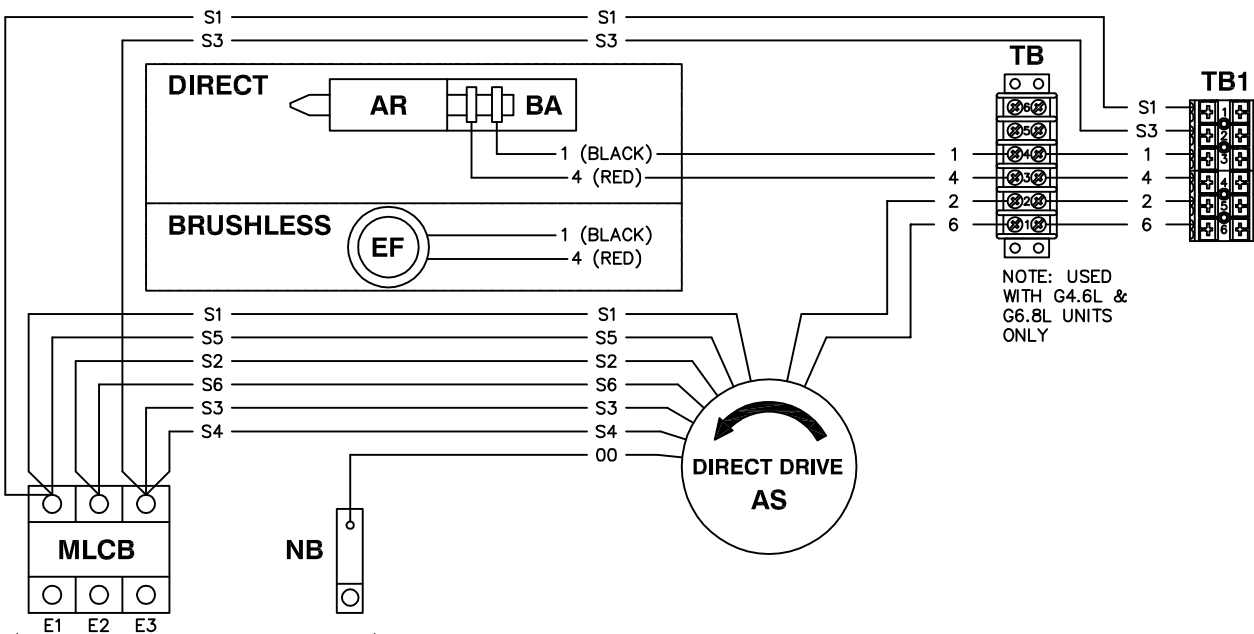


NOTE: USED WITH G4.6L & G6.8L UNITS ONLY

LEGEND	
AR	- ALTERNATOR ROTOR
AS	- ALTERNATOR STATOR
BA	- BRUSH ASSEMBLY
EF	- EXCITER FIELD
MLCB	- MAIN LINE CIRCUIT BREAKER
NB	- NEUTRAL BLOCK
TB_	- TERMINAL BLOCK

GENERATOR OUTPUT CUSTOMER CONNECTIONS
 E1 TO E2] *480VAC OR *400VAC
 E2 TO E3]
 E1 TO E3]
 E1, E2 OR E3 TO NB = *277VAC OR *231VAC
 *NOTE: THE 8TH DIGIT OF THE MODEL NUMBER SPECIFIES OUTPUT VOLTAGE
 "K" = 277/480VAC 60HZ
 "R" = 231/400VAC 50HZ

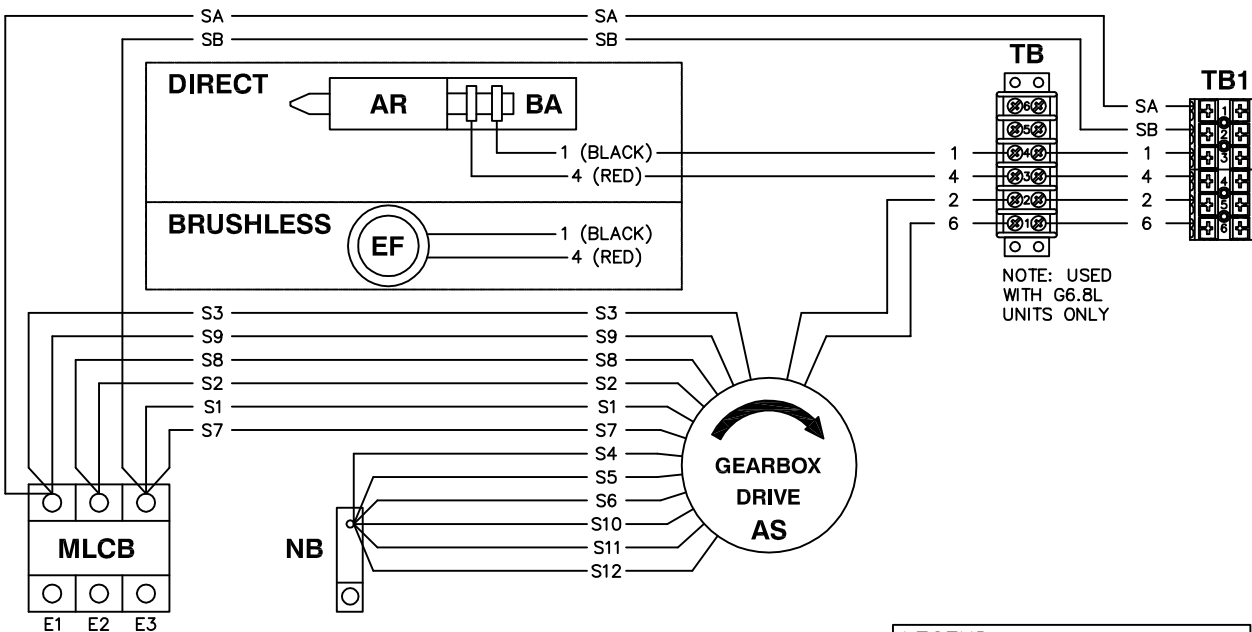
OPTION 4 - THREE PHASE DELTA, CPL CONTROL PANEL, 7-WIRE 120/240V



NOTE: USED WITH G4.6L & G6.8L UNITS ONLY

GENERATOR OUTPUT CUSTOMER CONNECTIONS
 E1 TO E2] *240VAC
 E2 TO E3]
 E1 TO E3]
 E3-NB = *208VAC
 E1 OR E3 TO NB = *120VAC
 *NOTE: THE 8TH DIGIT OF THE MODEL NUMBER SPECIFIES OUTPUT VOLTAGE
 "J" = 120/240VAC 60HZ

OPTION 5 - THREE PHASE, CPL CONTROL PANEL, GEARBOX (REVERSE ROTATION)



NOTE: USED WITH G6.8L UNITS ONLY

LEGEND	
AR	- ALTERNATOR ROTOR
AS	- ALTERNATOR STATOR
BA	- BRUSH ASSEMBLY
EF	- EXCITER FIELD
MLCB	- MAIN LINE CIRCUIT BREAKER
NB	- NEUTRAL BLOCK
TB_	- TERMINAL BLOCK

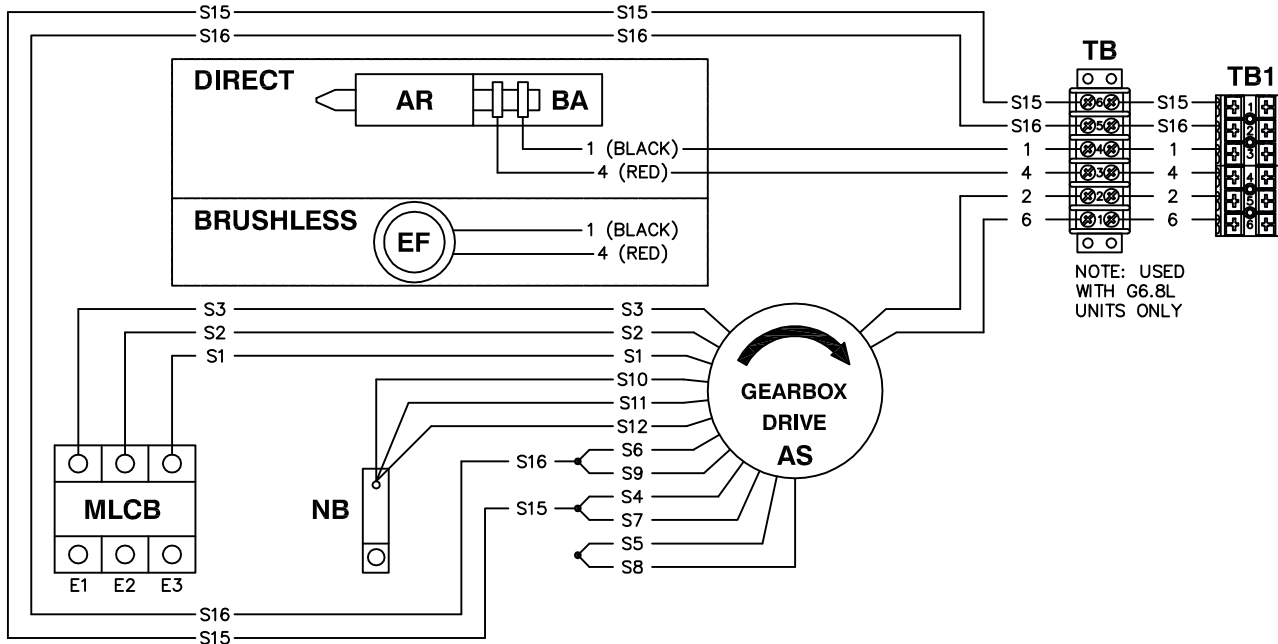
GENERATOR OUTPUT CUSTOMER CONNECTIONS

E1 TO E2
E2 TO E3 } *208VAC
E1 TO E3

E1, E2 OR E3 TO NB = *120VAC

*NOTE: THE 8TH DIGIT OF THE MODEL NUMBER SPECIFIES OUTPUT VOLTAGE
"G" = 120/208VAC 60HZ

OPTION 6 - THREE PHASE, CPL CONTROL PANEL, GEARBOX (REVERSE ROTATION)



NOTE: USED WITH G6.8L UNITS ONLY

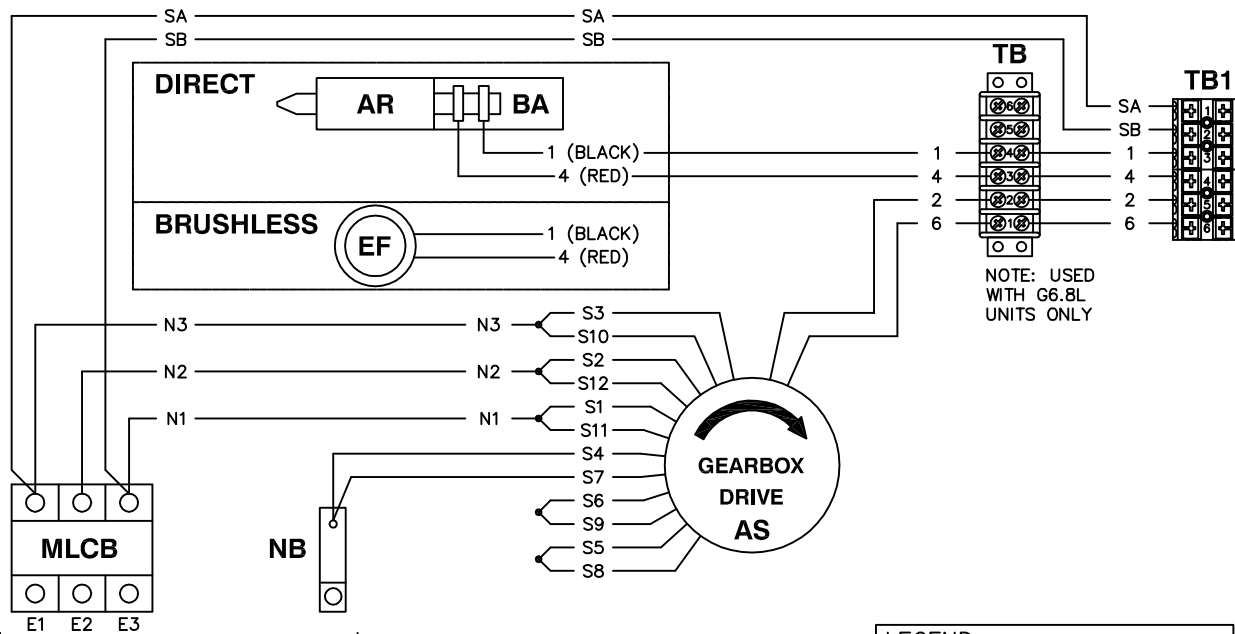
GENERATOR OUTPUT CUSTOMER CONNECTIONS

E1 TO E2
E2 TO E3 } *480VAC
E1 TO E3

E1, E2 OR E3 TO NB = *277VAC

*NOTE: THE 8TH DIGIT OF THE MODEL NUMBER SPECIFIES OUTPUT VOLTAGE
"K" = 277/480VAC 60HZ

OPTION 7 - THREE PHASE SERIES DELTA, CPL CONTROL PANEL, GEARBOX (REVERSE ROTATION)



NOTE: USED WITH G6.8L UNITS ONLY

GENERATOR OUTPUT CUSTOMER CONNECTIONS

E1 TO E2]
 E2 TO E3] *240VAC
 E1 TO E3]

E2-NB = *208VAC
 E1-NB OR E3-NB = *120VAC

*NOTE: THE 8TH DIGIT OF THE MODEL NUMBER SPECIFIES OUTPUT VOLTAGE
 "J" = 120/240VAC 60HZ

LEGEND	
AR	- ALTERNATOR ROTOR
AS	- ALTERNATOR STATOR
BA	- BRUSH ASSEMBLY
EF	- EXCITER FIELD
MLCB	- MAIN LINE CIRCUIT BREAKER
NB	- NEUTRAL BLOCK
TB_	- TERMINAL BLOCK