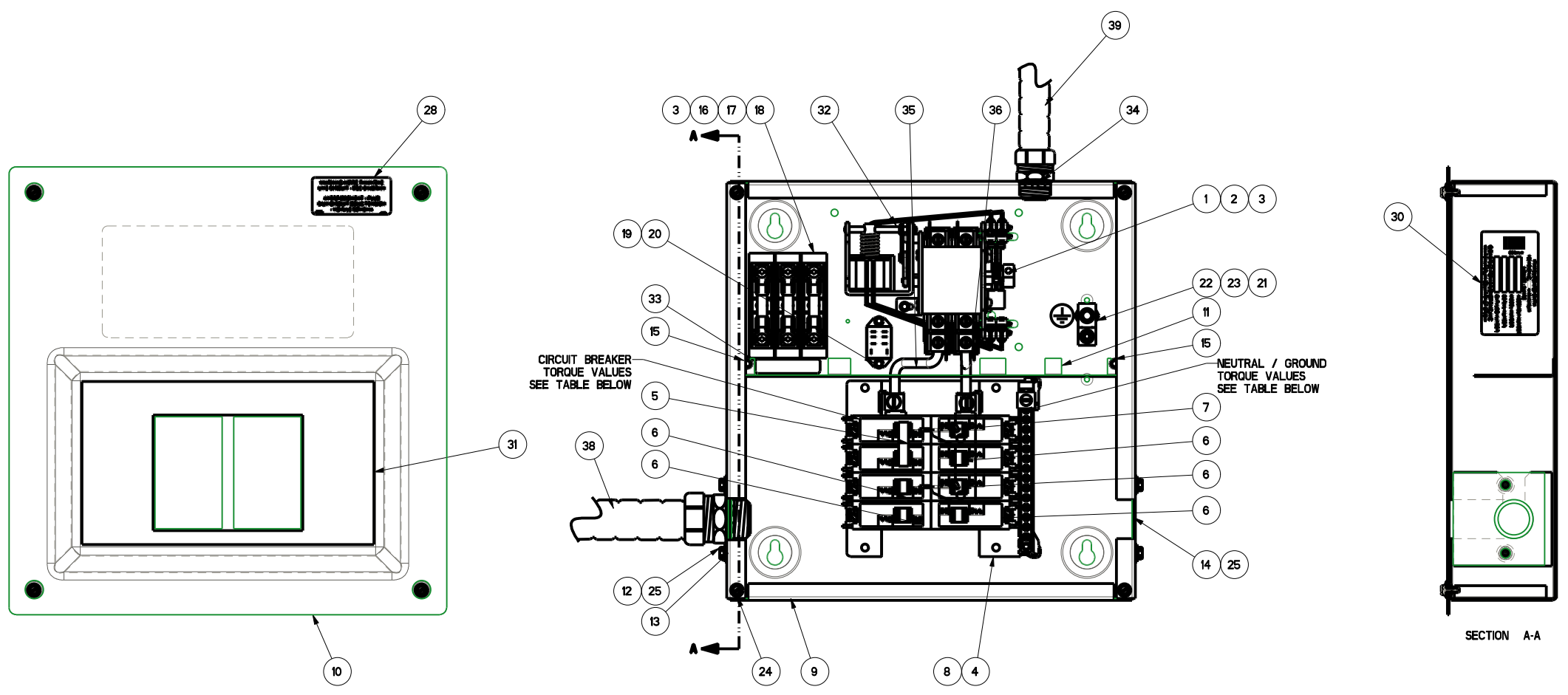


SH	1/1	REV	F	WINDHILL VERSION	F.2	DESCRIPTION
ITEM #		PART #		QTY		
1		OK8904		1		XFRSW 50A 2P 240V
2		OK0800		6		LUG SLDLSS 1/0-#14X9/16 AL/CU
3		045764		4		SCREW HHTT M4-0.7 X 8 ZP
4		0E7889A		1		8CIR L/CNTR 125A/240V SIEMENS
5		0E7888A		1		CB 0030A 2P PLUG IN SIEMENS
6		0E7888B		5		CB 0015A 1P PLUG IN SIEMENS
7		0E7888C		1		CB 0020A 1P PLUG IN SIEMENS
8		046852		2		SCREW HHTT #10-32 X 1/4 CZ
9		OK76160STOR		1		ENCLOSURE 8 POS. CORE POWER
10		OK76170STOR		1		COVER 8 POS RTSG LC RAW
11		OK7985		1		PLATE, ENCLOSURE DIVIDER
****		OK59480STOR		1		COVER HARNESS ENTRY RAW
***		OK82580STOR		1		HARNESS ADAPTER PLATE 1" CONDUIT
14		OK82620STOR		1		COVER BLANK RAW
15		026902		2		SCREW HHTT #8-32 X 1/4 CZ
16		073590A		3		FUSE 5A X BUSS
**		073591		3		FUSEBLOCK 30A 600V 1POS
18		0J4492		1		INSULATOR, FUSE BLOCK
**		OK0103		1		RELAY PNL 12VDC DPDT 10A@240VA
20		0F2659		2		SCREW HHTT M3-0.5 X 6 BP
21		062684		1		LUG SLDLSS 2/0-#12 X 11/32 CU
22		0A1658		1		WASHER LOCK SPECIAL 1/4"
23		024912		1		SCREW HHTT 1/4-20 X 5/8 CZ
24		OK8326		4		SCREW HWH 10-32X1/2 TRIL W/W
25		0A7215		4		SCREW HWH 1/4-20 X 5/8 NY/W
26		0E6155		1		PIN ARM EXTENDER
27		OK8254		1		U-CLIP ADHESIVE
28		095282		1		DECAL -LIVE CIRCUIT
29		0G8238		1		DECAL,UL PANELBOARD
30		0H6435K		1		DECAL DATA RTG SW.P/N 0K3808
31		OK5129		1		DECAL LC 8 CIRC. GENERAC
32		OK7675		1		DECAL TEST SEQ/OPERATIONAL
33		OK8281		1		DECAL UTILITY LOAD SENSE 240V
34		0F9199		1		PLUG PLASTIC 1.093-1.125
35		OK5154B		1		HARNESS LC RTG INT CONN T1
36		OK5154C		1		HARNESS LC RTG INT CONN T2
*		OK5154A		1		HARNESS LC RTG INT.CONN 8-12
***		OK5999		1		HARN GTS-MAIN PNL 8CIR W/NEUT
***		OK6000		1		HARN GTS-EXT CONBOX 7KW

\*-NOT SHOWN ON THIS ASSEMBLY  
 \*\*-SUPPLIED WITH HARNESS ITEM #37  
 \*\*\*-SUPPLIED WITH ASSEMBLY P/N 0K7618  
 \*\*\*\*-SUPPLIED WITH ASSEMBLY P/N 0K7618B

REFERENCE DRAWINGS  
 WIRING DIAGRAM - 0K5879  
 SCHEMATIC DIAGRAM - 0K5881



TERMINAL TIGHTENING TORQUE			TERMINAL TIGHTENING TORQUE		
TERMINAL	WIRE SIZE	TORQUE	CB (AMPS)	WIRE SIZE	TORQUE
NEUTRAL / GROUND CONNECTION	10-14 CU/10-12 AL	20 IN/LBS.	10-25	14-8 AWG	25 IN/LBS
	8 AWG.	25 IN/LBS.	30-35	14-6 AWG	25 IN/LBS
	6-4 AWG.	35 IN/LBS.	40-50	8 AWG / 6-4 AWG	40/45 IN/LBS

PART NUMBER	DESCRIPTION
OK7618	LCTR ASSY 8 CIR-GENERAC W/WHIPS
OK7618A	EXPLODED VIEW DRAWING
OK7618B	LCTR ASSY 8 CIR-GENERAC W/O WHIPS
OK7618C	RTG LCTR ASSY 8 CIR-GENERAC RTG W/ WHIPS

GENERAL TOLERANCES UNLESS NOTED

ALL XX : ± 0.4 MM  
 XXX : ± 0.4 MM  
 XXXX : ± 0.5 MM  
 ALL ANG : ± F

THIRD ANGLE PROJECTION

INTERPRET DIM AND TOL PER ASME Y14.5M-1994

**GENERAC**

TITLE: ASSEMBLY POWERPACK 8 CIRCUIT

ISSUE DATE: \_\_\_\_\_

SIZE: D CAGE NO: N/A DWG NO: **OK7618S** REV: F

SCALE: 0, 400 | WT.-KG: 264238762.68 | SHEET: 1 of 1

GENERAL ASSEMBLY DRAWING

DRAWING CREATED FROM PROVENIENCE 3D FILE. ECO MODIFICATION TO BE APPLIED TO SOLID MODEL ONLY.