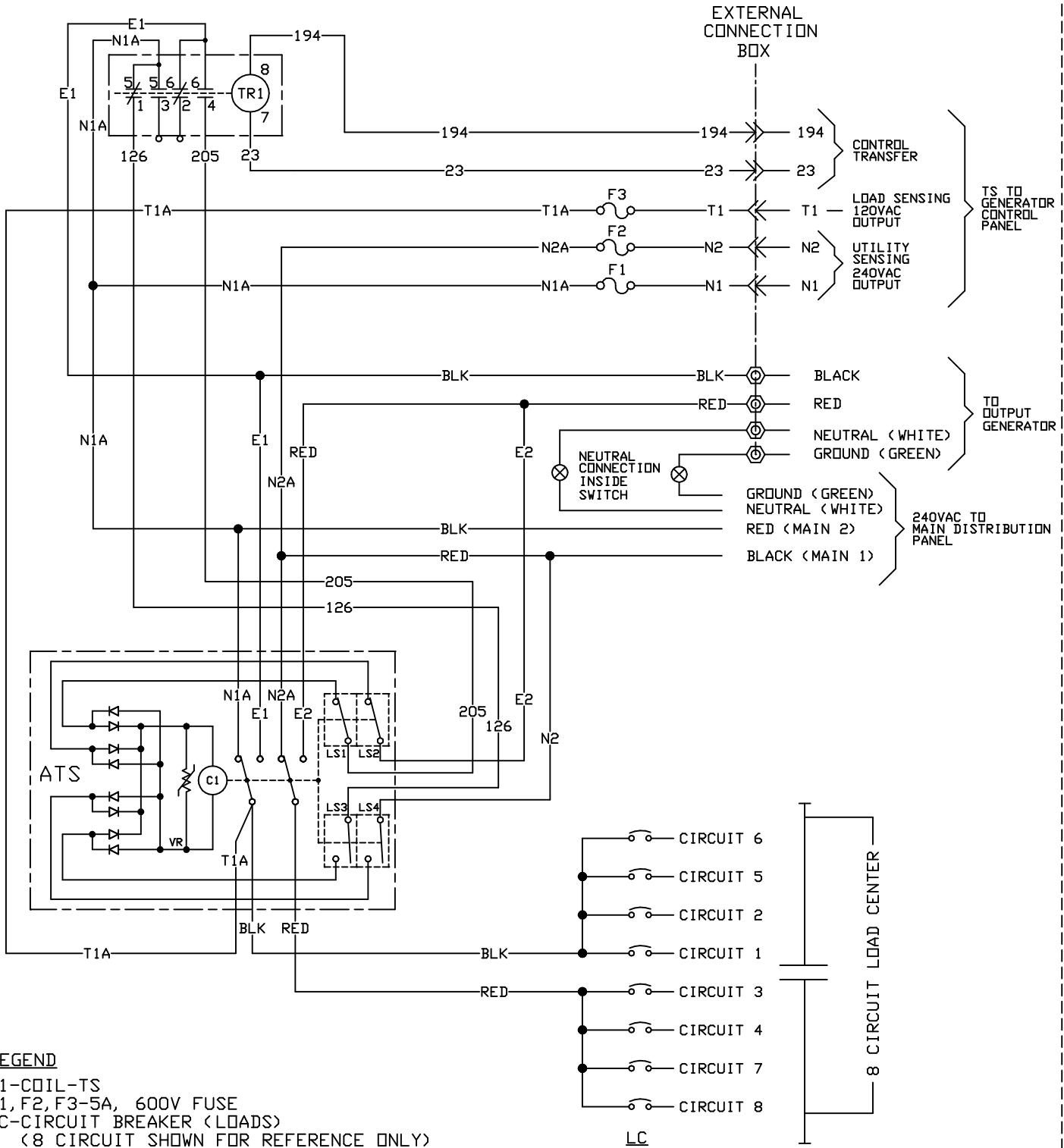


GROUP G



LEGEND
 C1-COIL-TS
 F1, F2, F3-5A, 600V FUSE
 LC-CIRCUIT BREAKER (LOADS)
 (8 CIRCUIT SHOWN FOR REFERENCE ONLY)
 N-NEUTRAL
 ATS-AUTOMATIC TRANSFER SWITCH
 LS1, LS2, LS3, LS4-LIMIT SWITCHES
 TR1-TRANSFER RELAY

SCHEMATIC - DIAGRAM
 HSB TRANSFER SWITCH 50A
 DRAWING #: 0K5881

GROUP G

