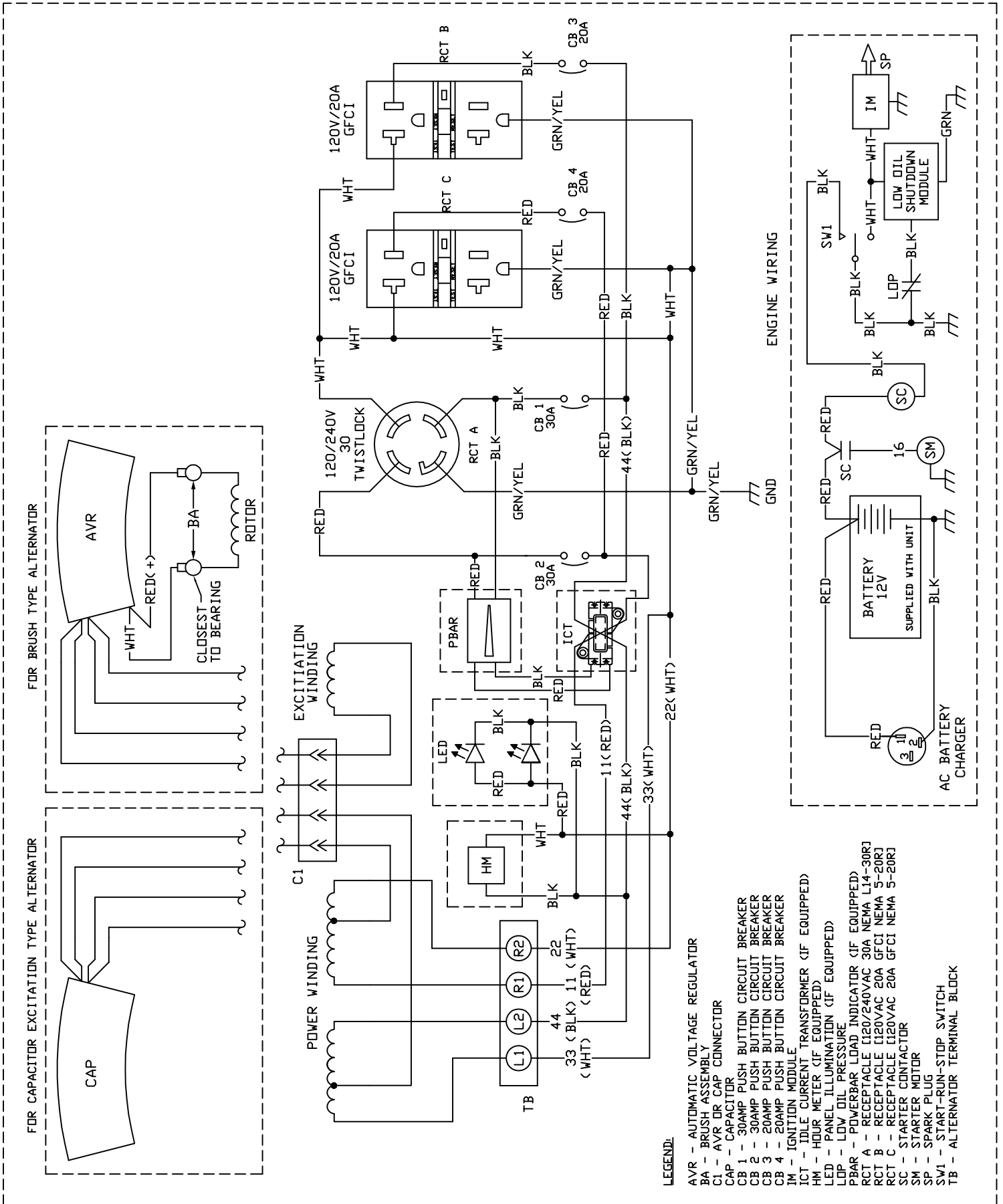


REVISION: B
DATE: 1/08/16

WIRING - DIAGRAM
XG8000
DRAWING #: 0H5145



SCHMATIC - DIAGRAM